

Drop wide

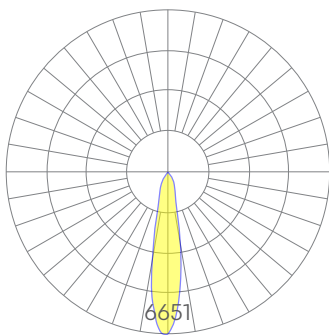
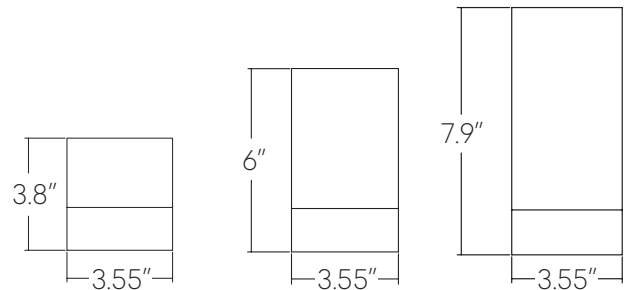


Accent lighting, surface or suspended.

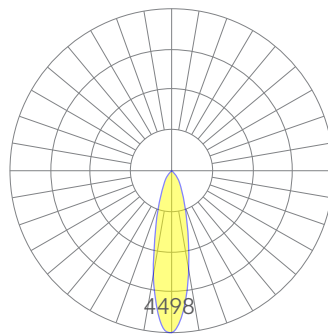
Features

- Extruded, recycled, premium aluminum housing
- Four beam spreads available
- Specifiable color temperature. CRI > 90, R9 >50
- 5 Year, 50,000 hour warranty

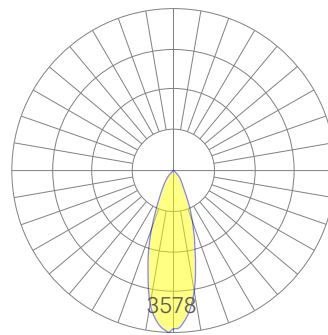
Dimensions



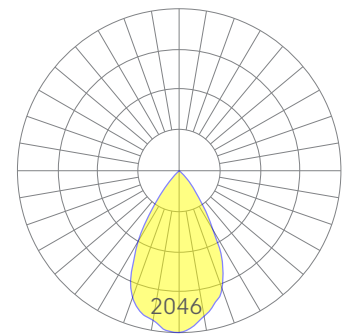
Spot



Medium



Flood

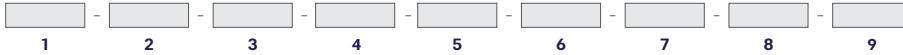


Wide Flood

Representative distribution and peak candela. For other options see order information or IES files [here](#).

Drop wide

Ordering Information



Example: DROP - W - 4" - 35 - UNV - DB - WFL - W - CP - NA - HEX

Fixture ID <input type="text" value="1"/>	Length <input type="text" value="2"/>	Color Temperature <input type="text" value="3"/>	Voltage <input type="text" value="4"/>
DROP-W	4" 6" 8"	27 2700K/90 CRI 30 3000K/90 CRI 35 3500K/90 CRI 40 4000K/90 CRI	UNV Universal (120/277V)
Driver <input type="text" value="5"/>	Beam Spread <input type="text" value="6"/>	Finish <input type="text" value="7"/>	Mounting <input type="text" value="8"/>
DB ¹ Standard 0-10V1%	SP 17° Beam; 7625 CBCP MED 21° Beam; 5059 CBCP FL 31° Beam; 2735 CBCP WFL 50° Beam; 1854 CBCP	BLK Black W White	CP Cable Pendant SM Surface Mount
¹ Driver is integral unless specifying 4" length option			
Circuit <input type="text" value="9"/>	Other Options <input type="text" value="10"/>		
NA None EMCKT Emergency Circuit	NA None HEX Hex Louver		

Performance

Output ¹	Watts	Lumens
Spot	21	1527
Medium	21	1517
Flood	21	1565
Wide Flood	21	1772

¹Based on a 6" tall fixture, 90 CRI, 3500K luminaire using one driver.

Custom outputs available. Please consult factory.
For 4000K multiply by 1.05, for 3000K 0.96, for 2700K, 0.92

Technical Information



click [here](#) or scan QR code

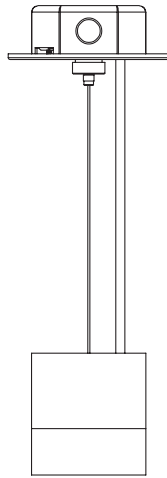
Wiring diagrams, PoE and sensor details

Modification date: July 2022

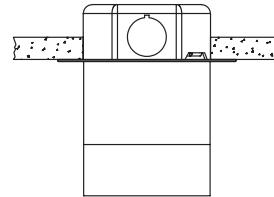
Page 2 of 3

Mounting Options

Custom mounting types and ceiling transitions available; consult factory.



CP
Cable Pendant



SM
Surface Mount