

# Indirect/Direct Wide Drop

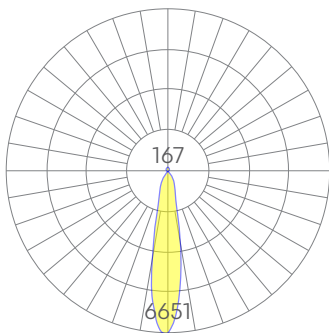
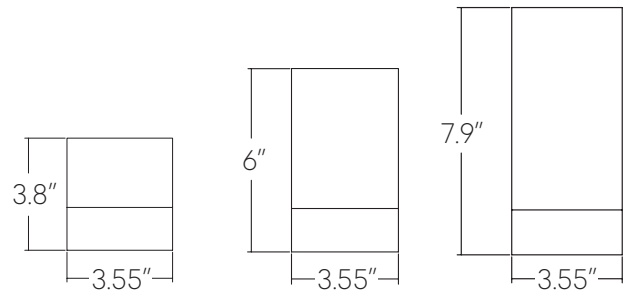


Accent lighting, suspended only with indirect and direct illumination.

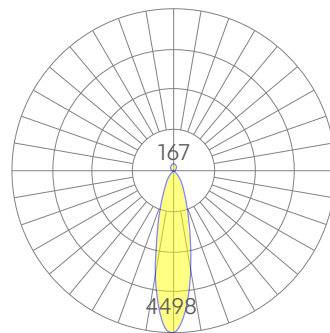
## Features

- Extruded, recycled, premium aluminum housing
- Four beam spreads available
- Suspension mounting requires two cables
- Specifiable color temperature. CRI > 90, R9 >50
- 5 Year, 50,000 hour warranty, damp location rated

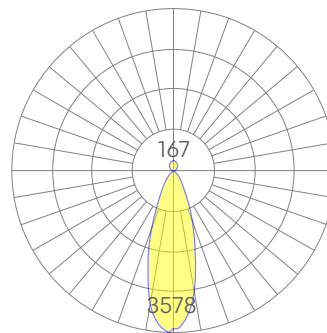
## Dimensions



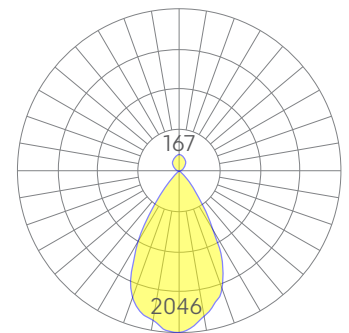
Spot



Medium



Flood



Wide Flood

Representative distribution and peak candela. For other options see order information or IES files [here](#).

# Indirect/Direct Wide Drop

## Ordering Information

-  -  -  -  -  -  -  -  -  -

1      2      3      4      5      6      7      8      9      10

Example: DROP UPDN - W - 8" - 35 - UNV - DB - WFL - W - CP - NA - HEX

<b>Fixture ID</b> <input type="text"/>	<b>Length</b> <input type="text"/>	<b>Color Temperature</b> <input type="text"/>	<b>Voltage</b> <input type="text"/>
DROP UPDN-W	4" 6" 8"	30 3000K/90 CRI 35 3500K/90 CRI	UNV Universal (120/277V)
<b>Driver</b> <input type="text"/>	<b>Beam Spread</b> <input type="text"/>	<b>Finish</b> <input type="text"/>	<b>Mounting</b> <input type="text"/>
DB <sup>1</sup> Standard 0-10V 1%	SP 17° Beam; 7625 CBCP MED 21° Beam; 5059 CBCP FL 31° Beam; 2735 CBCP WFL 50° Beam; 1854 CBCP	BLK Black W White	CP Cable Pendant
<small><sup>1</sup>See chart on Page 4 detailing remote or integral driver.</small>			
<b>Circuit</b> <input type="text"/>	<b>Other Options</b> <input type="text"/>		
NA None DC <sup>2</sup> Dual Circuit (separate indirect/direct control) EMCKT Emergency Circuit	NA None HEX Hex Louver		
<small><sup>2</sup>Requires remote driver</small>			

## Performance

Output <sup>1</sup>	direct		indirect	
	Watts	Lumens	Watts	Lumens
Spot	21	1527	N/A	N/A
Medium	21	1517	6	500
Flood	21	1565	N/A	N/A
Wide Flood	21	1772	N/A	N/A

<sup>1</sup>Based on a 8" tall fixture, 90 CRI, 4000K luminaire using one driver.

Custom outputs available. Please consult factory.  
For 4000K multiply by 1.05; for 3000K 0.96; for 2700K, 0.92.

## Technical Information



click [here](#) or scan QR code

Wiring diagrams, PoE and sensor details

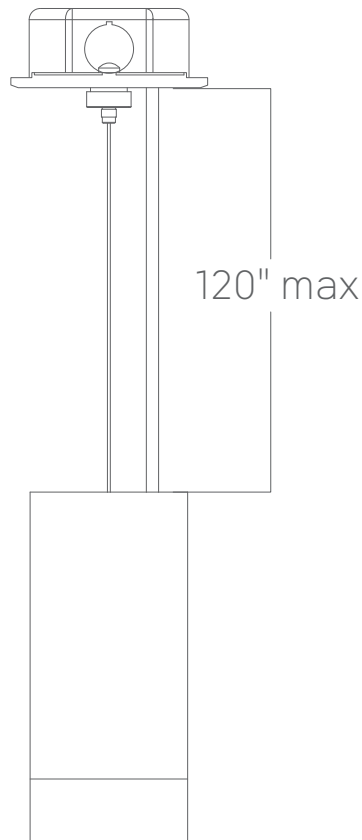
Modification date: November, 2022

Page 2 of 4

# Indirect/Direct Wide Drop

## Mounting Options

Custom mounting types and ceiling transitions available; consult factory.



**Cable Pendant**

# Indirect/Direct Wide Drop

## Drop Fixture Driver Chart

Drop Narrow									
<b>Height</b>	4	4	4	6	6	6	8	8	8
<b>Output</b>	Low	Medium	High	Low	Medium	High	Low	Medium	High
<b>Driver</b>	Remote	Remote	Remote	Remote	Remote	Remote	Integral	Remote*	Integral
	*Must Use remote Osram driver								

Drop Wide									
<b>Height</b>	4	4	4	6	6	6	8	8	8
<b>Output</b>	Low	Medium	High	Low	Medium	High	Low	Medium	High
<b>Driver</b>	Remote	Remote	Remote	Integral	Integral	Integral	Integral	Integral	Integral