

Indirect/Direct Wide Drop

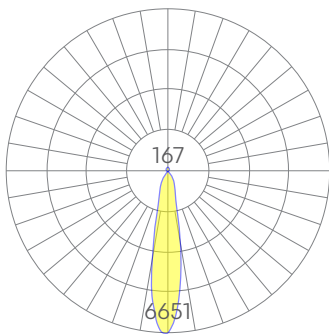
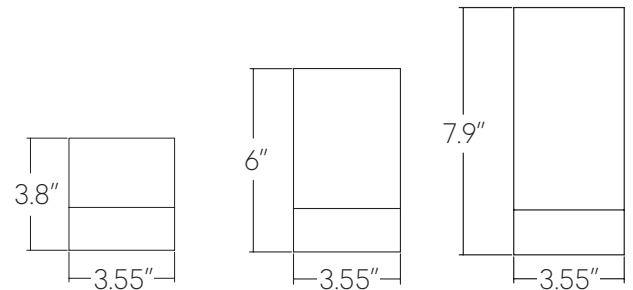


Accent lighting, suspended only with indirect and direct illumination.

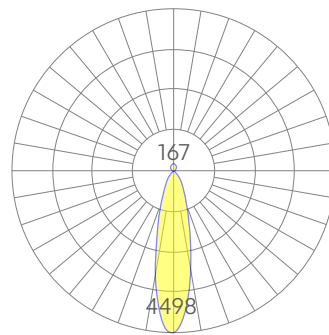
Features

- Extruded, recycled, premium aluminum housing
- Four beam spreads available
- Suspension mounting requires two cables
- Specifiable color temperature. CRI > 90, R9 >50
- 5 Year, 50,000 hour warranty, damp location rated

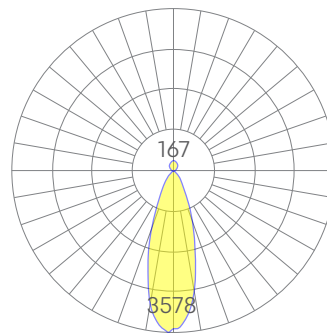
Dimensions



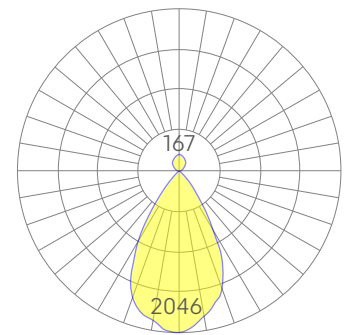
Spot



Medium



Flood



Wide Flood

Representative distribution and peak candela. For other options see order information or IES files [here](#).

Indirect/Direct Wide Drop

Ordering Information

- - - - - - - - - -

1 2 3 4 5 6 7 8 9 10

Example: DROP UPDN - W - 8" - 35 - UNV - DB - WFL - W - CP - NA - HEX

Fixture ID <input type="text"/>	Length <input type="text"/>	Color Temperature <input type="text"/>	Voltage <input type="text"/>
DROP UPDN-W	4" 6" 8"	30 3000K/90 CRI 35 3500K/90 CRI	UNV Universal (120/277V)
Driver <input type="text"/>	Beam Spread <input type="text"/>	Finish <input type="text"/>	Mounting <input type="text"/>
DB ¹ Standard 0-10V 1%	SP 17° Beam; 7625 CBCP MED 21° Beam; 5059 CBCP FL 31° Beam; 2735 CBCP WFL 50° Beam; 1854 CBCP	BLK Black W White	CP Cable Pendant
¹ See chart on Page 4 detailing remote or integral driver.			
Circuit <input type="text"/>	Other Options <input type="text"/>		
NA None EMPCK ¹ Emergency Battery Pack EMCKT Emergency Circuit	NA None HEX Hex Louver		
¹ Emergency Battery Pack is remote.			

Performance

Output ¹	direct		indirect	
	Watts	Lumens	Watts	Lumens
Spot	21	1527	N/A	N/A
Medium	21	1517	6	500
Flood	21	1565	N/A	N/A
Wide Flood	21	1772	N/A	N/A

¹Based on a 8" tall fixture, 90 CRI, 4000K luminaire using one driver.

Custom outputs available. Please consult factory.
For 4000K multiply by 1.05; for 3000K 0.96; for 2700K, 0.92.

Technical Information



click [here](#) or scan QR code

Wiring diagrams, PoE and sensor details

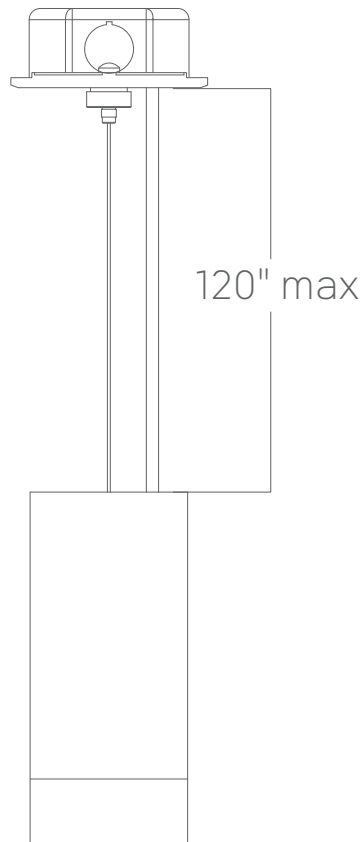
Modification date: October 2022

Page 2 of 4

Indirect/Direct Wide Drop

Mounting Options

Custom mounting types and ceiling transitions available; consult factory.



Cable Pendant

Indirect/Direct Wide Drop

Drop Fixture Driver Chart

Drop Narrow									
Height	4	4	4	6	6	6	8	8	8
Output	Low	Medium	High	Low	Medium	High	Low	Medium	High
Driver	Remote	Remote	Remote	Remote	Remote	Remote	Integral	Remote*	Integral
	*Must Use remote Osram driver								

Drop Wide									
Height	4	4	4	6	6	6	8	8	8
Output	Low	Medium	High	Low	Medium	High	Low	Medium	High
Driver	Remote	Remote	Remote	Integral	Integral	Integral	Integral	Integral	Integral