

# Indirect/Direct Narrow Drop

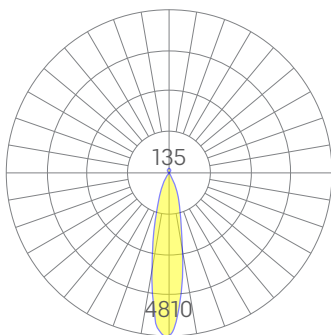
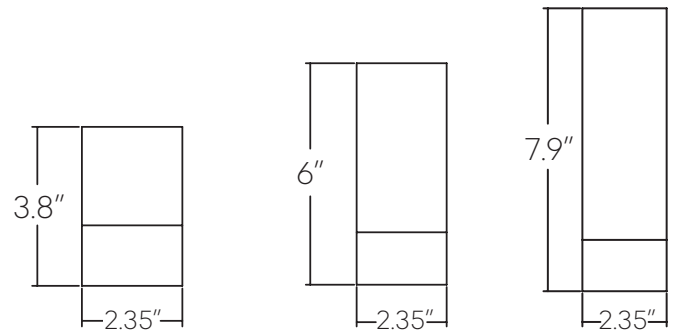


Accent lighting, suspended only with indirect and direct illumination.

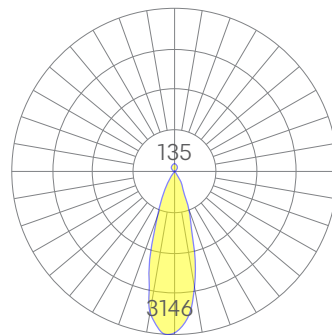
## Features

- Extruded, recycled, premium aluminum housing
- Four beam spreads available
- Specifiable color temperature. CRI > 90, R9 >50
- 5 Year, 50,000 hour warranty, damp location rated

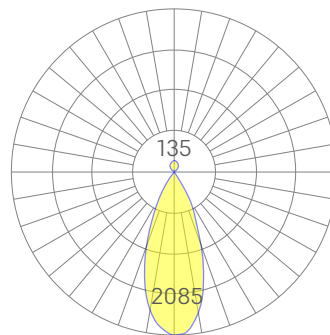
## Dimensions



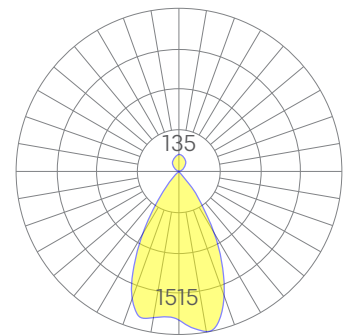
Spot



Medium



Flood



Wide Flood

Representative distribution and peak candela. For other options see order information or IES files [here](#).

# Indirect/Direct Narrow Drop

## Ordering Information

-  -  -  -  -  -  -  -  -  -

1      2      3      4      5      6      7      8      9      10

Example: DROP UPDN-N - 8" - 35 - UNV - DB - WFL - W - CP - NA - HEX

<b>Fixture ID</b> <input type="text"/>	<b>Length</b> <input type="text"/>	<b>Color Temperature</b> <input type="text"/>	<b>Voltage</b> <input type="text"/>
<b>DROP UPDN-N</b>	4" 6" 8"	<b>30</b> 3000K/90 CRI <b>35</b> 3500K/90 CRI	<b>UNV</b> Universal (120/277V) <b>347V</b> 347V
<b>Driver</b> <input type="text"/>	<b>Beam Spread</b> <input type="text"/>	<b>Finish</b> <input type="text"/>	<b>Mounting</b> <input type="text"/>
<b>DB</b> Standard 0-10V1%	<b>SP</b> 17° Beam; 7625 CBCP <b>MED</b> 21° Beam; 5059 CBCP <b>FL</b> 31° Beam; 2735 CBCP <b>WFL</b> 50° Beam; 1854 CBCP	<b>BLK</b> Black <b>W</b> White	<b>CP</b> Cable Pendant
<b>Circuit</b> <input type="text"/>	<b>Other Options</b> <input type="text"/>		
<b>NA</b> None <b>DC'</b> Dual Circuit (separate indirect/direct control) <b>EMCKT</b> Emergency Circuit	<b>NA</b> None <b>HEX</b> Hex Louver		

\*Requires remote driver

## Performance

Output <sup>1</sup>	direct		indirect	
	Watts	Lumens	Watts	Lumens
Spot	17	1088	N/A	N/A
Medium	17	1069	5	405
Flood	17	1046	N/A	N/A
Wide Flood	17	1253	N/A	N/A

<sup>1</sup>Based on a 8" tall fixture, 90 CRI, 4000K luminaire using one driver.

Custom outputs available. Please consult factory.  
For 4000K multiply by 1.05; for 3000K 0.9; for 2700K, 0.92.

## Technical Information



click [here](#) or scan QR code

Wiring diagrams, PoE and sensor details

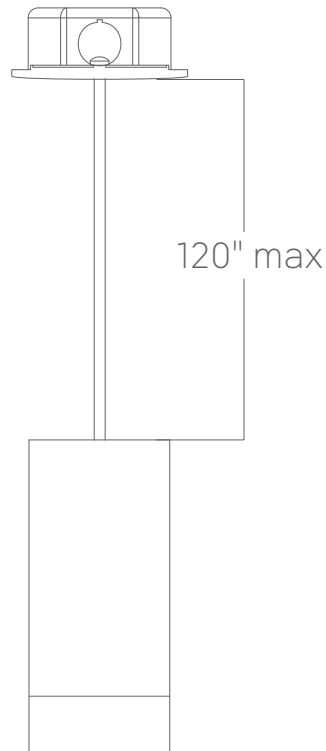
Modification date: November, 2022

Page 2 of 3

# Indirect/Direct Narrow Drop

## Mounting Options

Custom mounting types and ceiling transitions available; consult factory.



**Cable Pendant**