

Narrow Drop

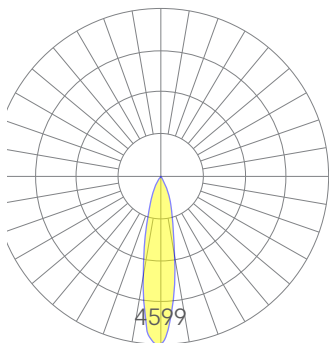
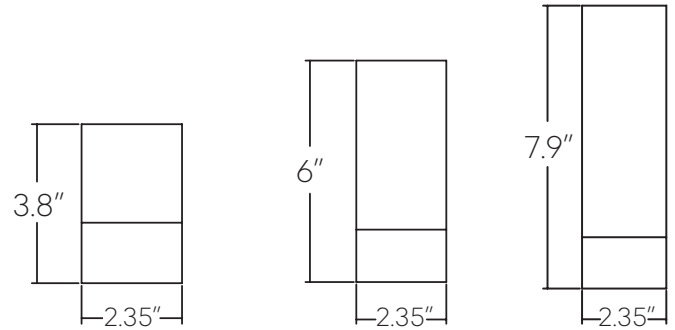


Accent lighting, surface or suspended.

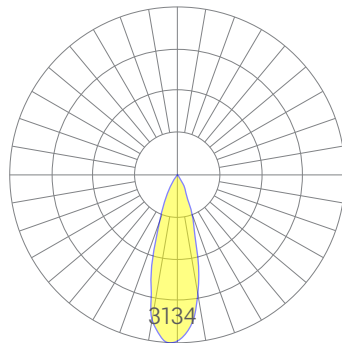
Features

- Extruded, recycled, premium aluminum housing
- Four beam spreads available
- Specifiable color temperature. CRI > 90, R9 >50
- 5 Year, 50,000 hour warranty

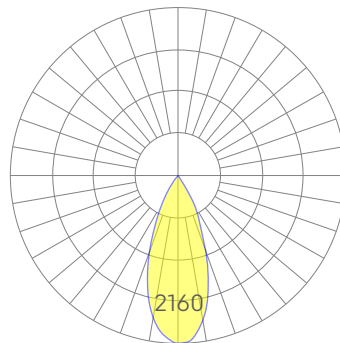
Dimensions



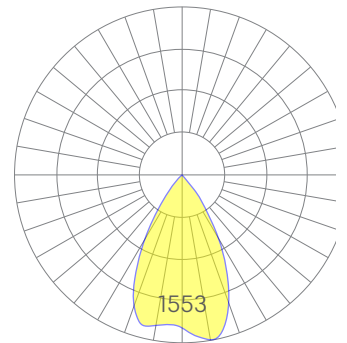
Spot



Medium



Flood



Wide Flood

Representative distribution and peak candela. For other options see order information or IES files [here](#).

Narrow Drop

Ordering Information

- - - - - - - - -

1
2
3
4
5
6
7
8
9

Example: DROP - N - 4" - 35 - UNV - DB - WFL - W - CP - HEX

Fixture ID	<input type="text"/>	Length	<input type="text"/>	Color Temperature	<input type="text"/>	Voltage	<input type="text"/>
DROP-N		4" 6" 8"		27 2700K/90 CRI 30 3000K/90 CRI 35 3500K/90 CRI 40 4000K/90 CRI		UNV Universal (120/277V) 347V 347V	
							<small>*Must use DB Driver</small>
Driver	<input type="text"/>	Beam Spread	<input type="text"/>	Finish	<input type="text"/>	Mounting	<input type="text"/>
UNV Universal (120/277V) 347V 347V		SP 17° Beam; 7625 CBCP MED 21° Beam; 5059 CBCP FL 31° Beam; 2735 CBCP WFL 50° Beam; 1854 CBCP		BLK Black W White		CP Cable Pendant SM Surface Mount	
							<small>*Must use DB Driver</small>
Circuit	<input type="text"/>	Other Options	<input type="text"/>				
NA None EMCKT Emergency Circuit		NA None HEX Hex Louver					

Performance

Output ¹	Watts	Lumens
Spot	17	1088
Medium	17	1069
Flood	17	1046
Wide Flood	17	1253

¹Based on a typically configured 90 CRI, 3500K luminaire using one driver.

Custom outputs available. Please consult factory.
For 4000K multiply by 1.05, for 3000K 0.96, for 2700K, 0.92.

Technical Information



click [here](#) or scan QR code

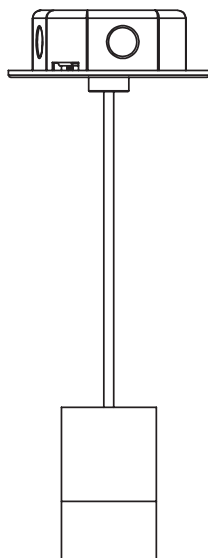
Wiring diagrams, PoE and sensor details

Modification date: October, 2021

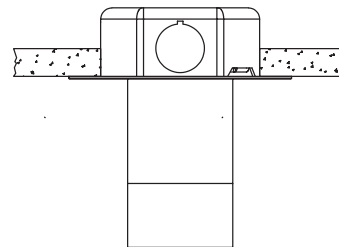
Page 2 of 3

Mounting Options

Custom mounting types and ceiling transitions available; consult factory.



CP
Cable Pendant



SM
Surface Mount