

Narrow Drop Direct

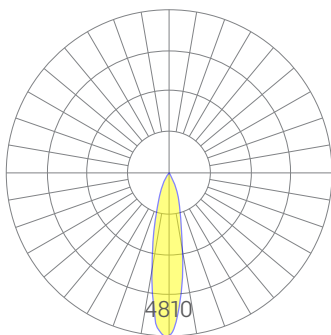
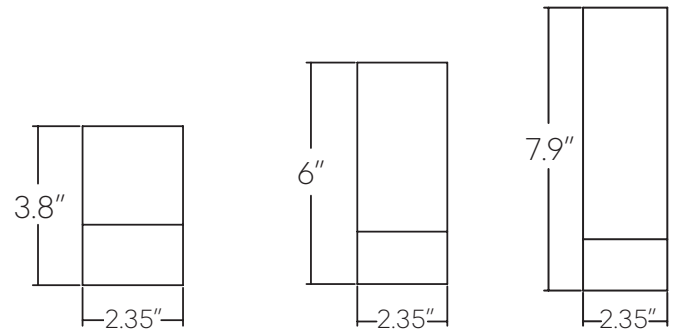


Accent lighting, surface or suspended.

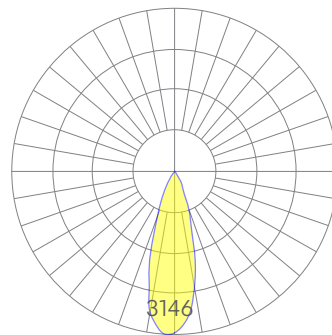
Features

- Extruded, recycled, premium aluminum housing
- Four beam spreads available
- Suspension mounting requires only one cable
- Specifiable color temperature. CRI > 90, R9 >50
- 5 Year, 50,000 hour warranty, damp location rated

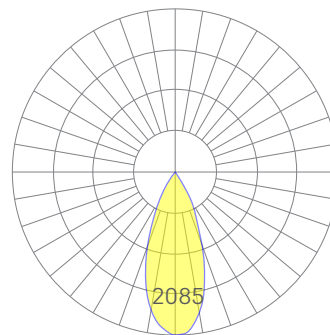
Dimensions



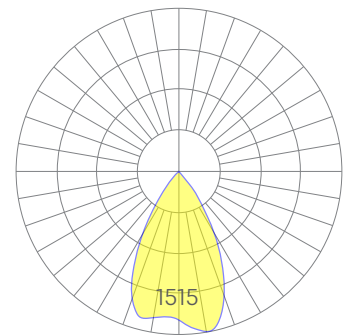
Spot



Medium



Flood

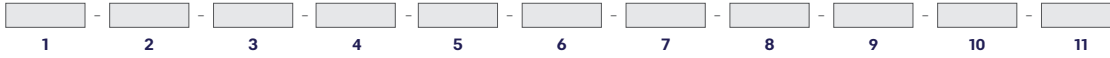


Wide Flood

Representative distribution and peak candela. For other options see order information or IES files [here](#).

Narrow Drop Direct

Ordering Information



Example: DROP - N - 8" - 35 - MED - UNV - DB - W - CP - WFL - NA - HEX

Fixture ID <input type="text" value="1"/>	Length <input type="text" value="2"/>	Color Temperature <input type="text" value="3"/>	Output <input type="text" value="4"/>
DROP-N	4" 6" 8"	27 2700K/90 CRI 30 3000K/90 CRI 35 3500K/90 CRI 40 4000K/90 CRI	LOW Low output MED Medium output HIGH High output
Voltage <input type="text" value="5"/>	Driver <input type="text" value="6"/>	Finish <input type="text" value="7"/>	Mounting <input type="text" value="8"/>
UNV Universal (120/277V) 347V 347V	DB ¹ Standard 0-10V 1%	BLK Black W White	CP Cable Pendant SM Surface Mount
¹ Must use DB Driver	¹ See chart on Page 4 detailing remote or integral driver.		
Beam Spread <input type="text" value="9"/>	Circuit <input type="text" value="10"/>	Other Options <input type="text" value="11"/>	
SP 17° Beam; 7625 CBCP MED 21° Beam; 5059 CBCP FL 31° Beam; 2735 CBCP WFL 50° Beam; 1854 CBCP	NA None EMPCK ¹ Emergency Battery Pack EMCKT Emergency Circuit	NA None HEX Hex Louver	
	¹ Emergency Battery Pack is remote.		

Performance

Output ¹	Watts	Lumens
Low	10	752
Medium	13	965
High	17	1253

¹Based on a 8" tall fixture, WFL beam spread, 90 CRI, 3500K luminaire using one driver.

Custom outputs available. Please consult factory.
For 4000K multiply by 105; for 3000K 0.9%; for 2700K, 0.92.

Technical Information



click [here](#) or scan QR code

Wiring diagrams, PoE and sensor details

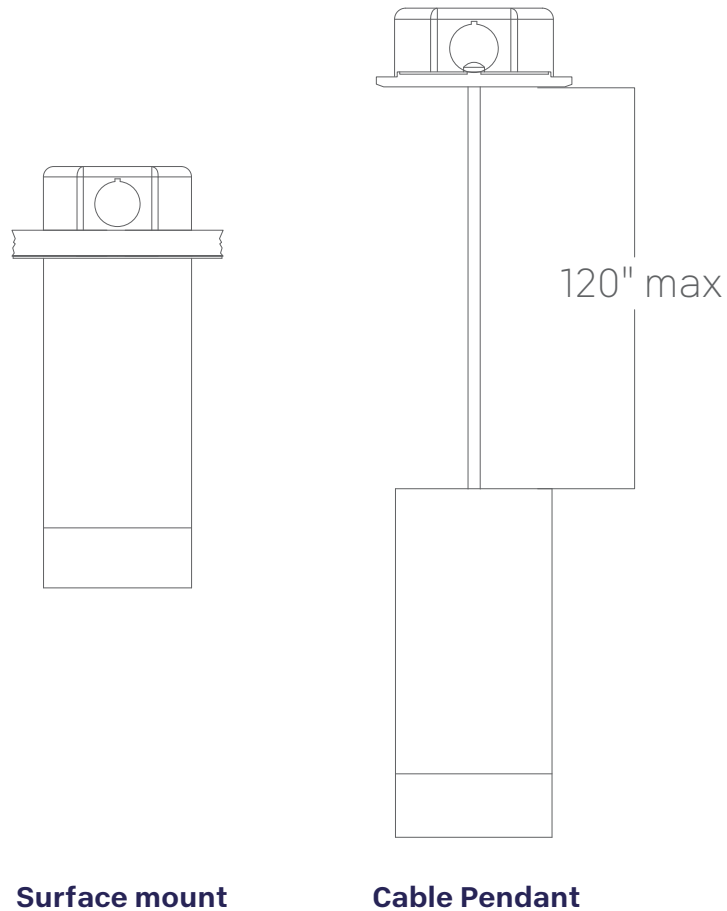
Modification date: October 2022

Page 2 of 4

Narrow Drop Direct

Mounting Options

Custom mounting types and ceiling transitions available; consult factory.



Surface mount

Cable Pendant

Narrow Drop Direct

Drop Fixture Driver Chart

Drop Narrow									
Height	4	4	4	6	6	6	8	8	8
Output	Low	Medium	High	Low	Medium	High	Low	Medium	High
Driver	Remote	Remote	Remote	Remote	Remote	Remote	Integral	Remote*	Integral
*Must Use remote Osram driver									

Drop Wide									
Height	4	4	4	6	6	6	8	8	8
Output	Low	Medium	High	Low	Medium	High	Low	Medium	High
Driver	Remote	Remote	Remote	Integral	Integral	Integral	Integral	Integral	Integral