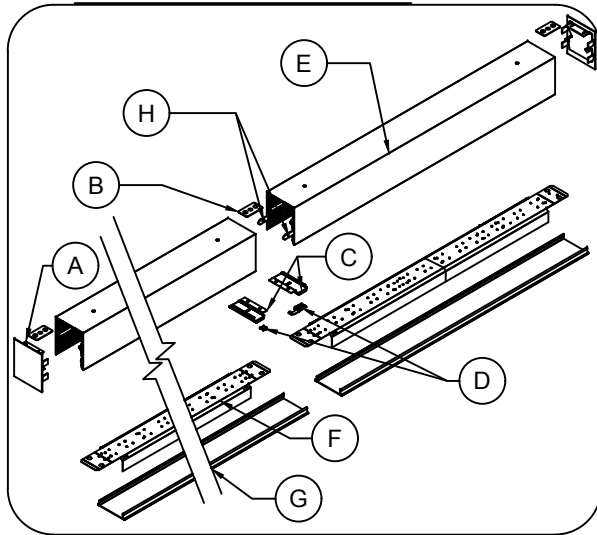
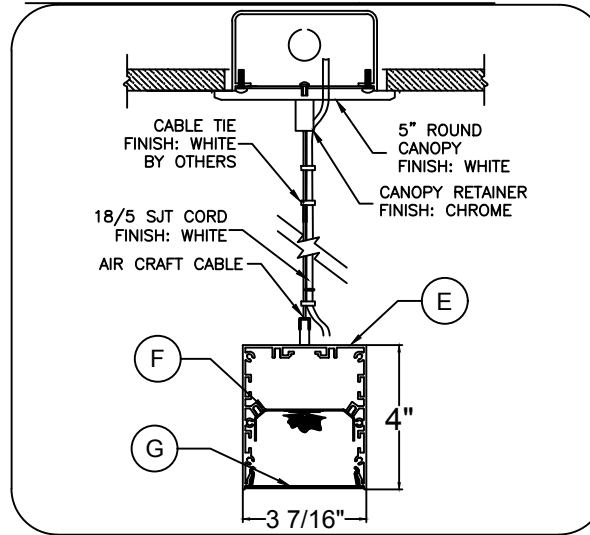


#### EXPLODED VIEW:



#### CROSS SECTION VIEW:



#### PART LIST:

A- END PLATE

B- HANGING BRACKET

C- BRACKET FOR CATCH/LATCH

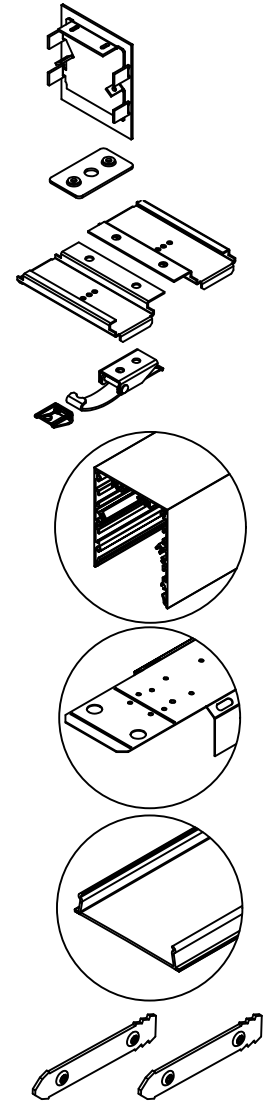
D- CATCH/LATCH CONNECTOR

E- DIRECT FIXTURE

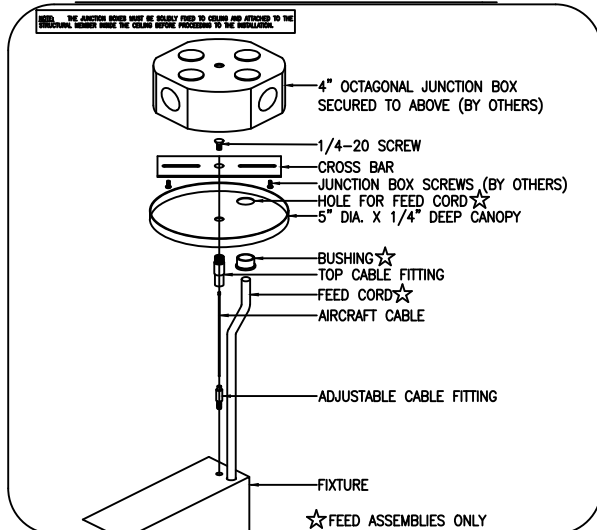
F- LED TRAY

G- LENS

H- ALIGNERS



#### POWER SIDE DETAIL:



#### NON POWER SIDE DETAIL:

