

# Pendant Orb module

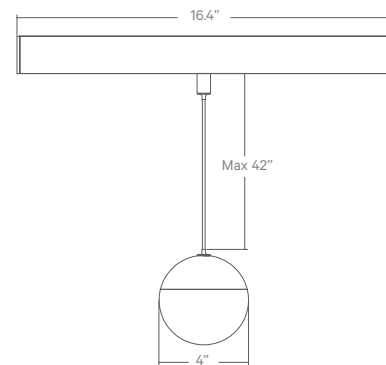


Spherical module with 4" diameter, suspended by cable.

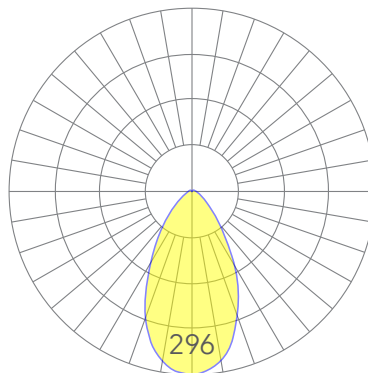
## Features

- Magnetically held and easily repositioned on site
- Cable suspended up to 42"
- Extruded, recycled, premium aluminum housing
- Aluminum core LED boards, specifiable optics
- Specifiable color temperature. CRI > 90, R9 >50
- 5 Year, 50,000 hour warranty

## Dimensions



## Optics



Representative distribution and peak candela. For other options see order information or IES files [here](#).

# Pendant Orb module



## Ordering Information

-  -  -

1                      2                      3                      4

Example:                      MAG-PEND ORB - 35 - MED - W

Fixture ID	1	Color Temperature	2	Output	3	Finish	4
MAG-PEND ORB		27    2700K/90 CRI 30    3000K/90 CRI 35    3500K/90 CRI 40    4000K/90 CRI		MED    Medium output		BLK    Black W        White	

## Performance

Output <sup>1</sup>	Watts	Lumens
Medium	8	512

Based on a typically configured 90 CRI, 3500K luminaire using one driver.

<sup>1</sup>For 3000k, 0.9%; for 2700k, 0.92.