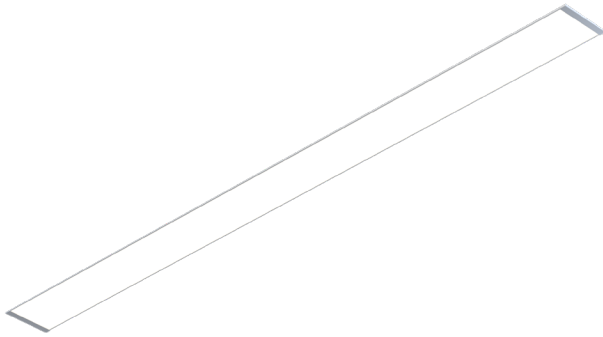


# LSR Wet Recessed

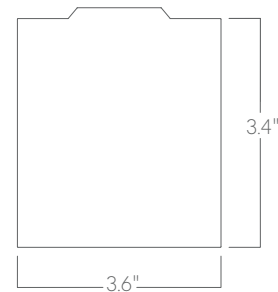


The LS Series of architectural luminaires offers a wide range of profiles and mounting options. Custom lengths are tailored to suit any modern space.

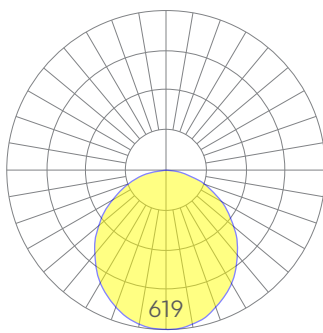
## Features

- Aluminum housing with waterproof seals and connectors
- Rated for wet locations
- Aluminum core LED boards
- Specifiable color temperature. CRI > 90, R9 >50
- Custom lengths and finishes available
- Integral specifiable dimmable drivers or PoE (remote)
- 5 Year, 50,000 hour warranty

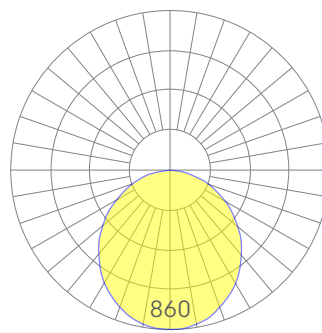
## Dimensions



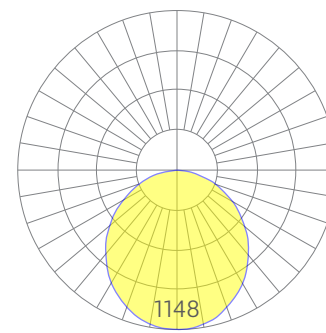
## Optics



low



medium



high

Representative distribution and peak candela. For other options see order information or IES files [here](#).

# LSR Wet Recessed

## Ordering Information

-  -  -  -  -  -  -  -  -  -  -  -

Example: LSR WET - 8 - 35 - MED - UNV - DB - W - SR - SD - CCS - EMPCK - NA

<b>Fixture ID</b> <input type="text" value="1"/>	<b>Length</b> <input type="text" value="2"/>	<b>Color Temperature</b> <input type="text" value="3"/>	<b>Output</b> <input type="text" value="4"/>
LSR WET	<b>4</b> 4 ft <b>8</b> 8 ft <b>X'</b> Continuous Runs <sup>1</sup>	<b>27</b> 2700K/90 CRI <b>30</b> 3000K/90 CRI <b>35</b> 3500K/90 CRI <b>40</b> 4000K/90 CRI <b>50</b> 5000K/90 CRI  <b>WD</b> <sup>1</sup> Warm Dim 2200K-3000K <b>TW</b> <sup>2</sup> Tunable White 2700K-6500K	<b>LOW</b> Low output <b>MED</b> Medium output <b>HIGH</b> High output <b>CUST</b> Custom output <sup>1</sup>
<sup>1</sup> Joiner brackets provided; 4ft increments only.		<sup>1</sup> Must use WD10 driver. <sup>2</sup> Must use TW10 or PSQ driver.	
<b>Voltage</b> <input type="text" value="5"/>	<b>Driver</b> <input type="text" value="6"/>	<b>Finish</b> <input type="text" value="7"/>	<b>Mounting</b> <input type="text" value="8"/>
<b>UNV</b> Universal (120/277V) <b>347V</b> <sup>1</sup> 347V	<b>DB</b> Standard 0-10V 1% <b>DB.1%</b> 0-10V 0.1% <b>ELV</b> <sup>2</sup> Reverse Phase 1% (120V only) <b>TRI</b> <sup>2</sup> Forward phase (120V only) <b>LDE1</b> Lutron Digital EcoSystem <b>DALI</b> DALI-2 Driver <b>PoE</b> Power over ethernet. <b>TW10</b> Dual channel, 0-10V for tunable white. <b>WD10</b> 0-10V Warm Dim <b>PSQ</b> Lutron T-Series 2-channel 1% for tunable white <b>DMX</b> <sup>1</sup> DMX512	<b>SA</b> Satin Aluminum (Standard) <b>W</b> White <b>BLK</b> Black	<b>SR</b> Standard Recessed
<sup>1</sup> Must use DB Driver		<sup>1</sup> Set to default address 001. Contact us for other addressing needs. All DMX drivers provided in remote enclosures. <sup>2</sup> For compatible dimmers, click here.	
<b>Optics</b> <input type="text" value="9"/>	<b>Sensors/Controls</b> <input type="text" value="10"/>	<b>Circuit</b> <input type="text" value="11"/>	<b>Options</b> <input type="text" value="12"/>
<b>SD</b> Standard Diffuser	<b>NA</b> None <b>ACM</b> Acuity nLight Module Only <b>CCS</b> Casambi Module <b>AWNRR</b> Lutron Athena Wireless Node Module	<b>NA</b> None <b>EMPCK</b> Emergency Battery Pack <b>EMCKT</b> Emergency Circuit	<b>NA</b> None <b>WH</b> 6ft whips preinstalled <b>CP</b> Chicago Plenum
<sup>1</sup> Consult factory for other options.			

## Performance

Output <sup>1</sup>	Watts/ft	Lumens/ft
Low	5	425
Medium	7	590
High	10	844

<sup>1</sup>Based on a typically configured 90 CRI, 3500K luminaire using one driver.

Custom outputs available. Please consult factory.  
For 4000K multiply by 1.05; for 3000K 0.96; for 2700K, 0.92

## Technical Information



click [here](#) or scan QR code

Wiring diagrams, PoE and sensor details

Modification date: April 2023

# LSR Wet Recessed

## Drivers & Electrical

Integral drivers\* with 0-10V Dimming standard. Several other driver options available; see ordering information.

\*DMX drivers are provided in remote enclosures.

## Sensors & Controls

Sensors are installed on an aluminum plate adjacent to the luminaire lens<sup>1</sup>. Coronet remains agnostic in our approach to sensors and control systems; our fixtures are compatible with most systems offered.

<sup>1</sup>Not applicable to indirect only models. Consult factory.

## Emergency Back-Up

For fixtures three-feet or longer, a 4W integral emergency driver may be wired to 4ft sections. 7W, 10W, and 12W drivers are also available (not all integral; consult factory). Emergency circuits for use with building generators are also available.

## PoE (Power over Ethernet)

Compatible with virtually all PoE systems including Molex Coresync, Igor, Smartengine, Platformatics, and NuLED SPICEbox. Consult Factory for systems not listed, See [here](#) for more info.

## Finishes

All luminaires are finished in high quality polyester powder coating. Our standard color is satin aluminum.

## Weight

5 lbs per foot

## Optics

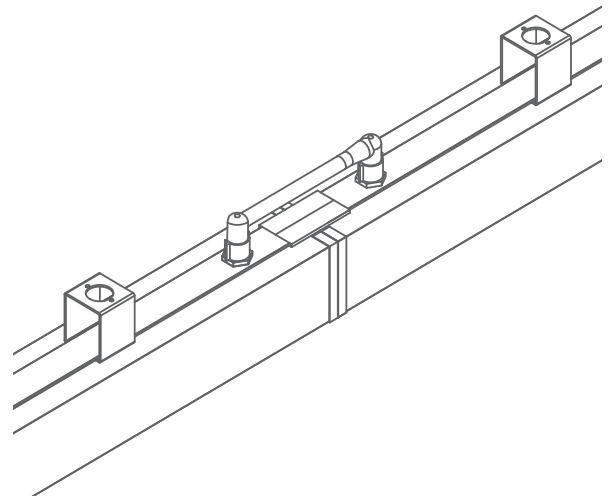
Extruded satin acrylic lenses provide excellent diffusion, high transmission, and no LED imaging.

## Construction

Housings are extruded premium, recycled aluminum. Individual fixtures are available up to 8' long.

## Joined Runs

Runs of any length may be specified and are comprised of multiple, factory-engineered, joined sections. Individually specified luminaires are not field joinable.

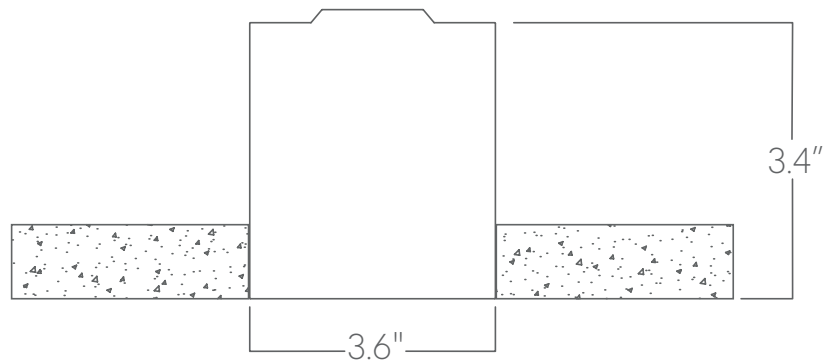


Representative joinery. For product specific details see installation guides or submittal drawings.

# LSR Wet Recessed

## Mounting Options

Custom mounting types and ceiling transitions available; consult factory.



**SR**  
standard recessed