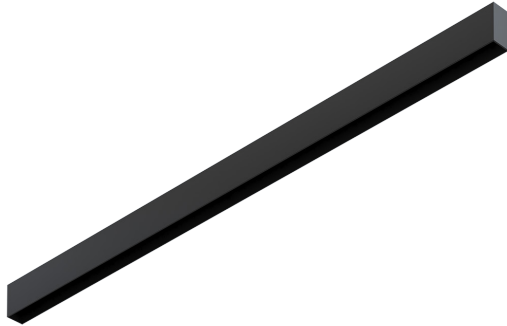


Magneto Track

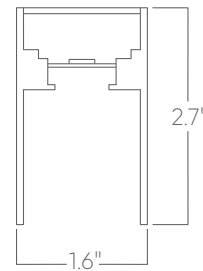


Magnetic, 2-circuit track designed to fit several 'plug and play' modules.

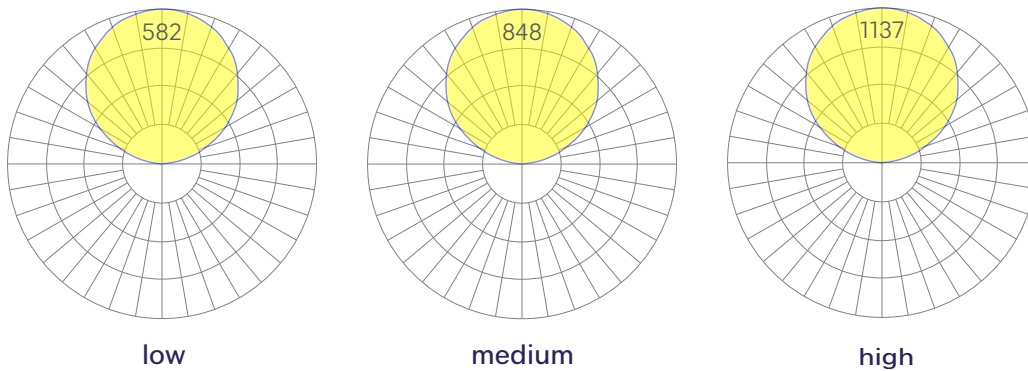
Features

- Optional upright component
- Extruded recycled aluminum housing
- Specifiable color temperature. CRI > 90, R9 >50
- 5 Year, 50,000 hour warranty

Dimensions



Optics



Representative distribution and peak candela. For other options see order information or IES files [here](#).

Magneto Track

Ordering Information



Example: MAG TRK - 8FT - UP - 35 - MED - UNV - DB - DR30 - DR30 - W - AC - NA

Fixture ID <input type="text" value="1"/>	Length <input type="text" value="2"/>	Component <input type="text" value="3"/>	Color Temp (Uplight) <input type="text" value="4"/>
MAG - TRK	4 4 ft 8 8 ft X'-X" Specify Length ¹ PAT Pattern (Consult Factory)	UP Uplight NA No Uplight (track only)	27 2700K/90 CRI 30 3000K/90 CRI 35 3500K/90 CRI 40 4000K/90 CRI 50 5000K/90 CRI
<small>¹Precision lengths may be specified to the nearest 1/8".</small>			
Output (Uplight) <input type="text" value="5"/>	Voltage <input type="text" value="6"/>	Driver (Uplight) <input type="text" value="7"/>	Driver Circuit 2 (Track) <input type="text" value="8"/>
LOW Low output MED Medium output HIGH High output CUST Custom output ¹	UNV Universal (120/277V) 347V 347V	DB ¹ Standard 0-10V 1%	DR30 30W Driver DR60 60W Driver DR90 90W Driver
<small>¹consult factory</small>	<small>¹Must use DB Driver</small>		
Driver Circuit 2 (Track) <input type="text" value="9"/>	Finish <input type="text" value="10"/>	Mounting <input type="text" value="11"/>	Other Options <input type="text" value="12"/>
DR30 30W Driver DR60 60W Driver DR90 90W Driver	W White BLK Black CC Custom Color	AC Aircraft Cable (50") SM Surface Mount	NA None CAN-X ¹ Canopy + color SJ-X ² SJ Cord + color
	<small>¹Custom Color. See finish options here.</small>	<small>White canopy provided. Must specify other requests.</small>	<small>¹White SJ cord and canopy provided, use above nomenclature for other requests.</small> <small>²See finish options here.</small>

Performance

Output (uplight) ¹	Watts/ft	Lumens/ft
Low	4	338
Medium	6	492
High	8	660

Based on a typically configured 90 CRI, 3500K luminaire using one driver²

¹Custom outputs available. Please consult factory.
²For 4000k, multiply by 105; for 3000k, 0.9; for 2700k, 0.92.

Technical Information



click [here](#) or scan QR code

Wiring diagrams, PoE and sensor details

Modification date: November 2021

Page 2 of 4

Magneto Track

Drivers and Electrical

Uplight and dual circuit track. Remote constant voltage driver with integral 1% 0-10v dimming for track. Remote constant current driver for uplight. 20ft maximum remote driver distance from feed. track must be re-fed every 30ft or when driver max is reached (whichever comes first).

Emergency Back-Up

A 4W integral emergency driver may be wired to 4ft linear modules only and will be fixed in place. 7W, 10W, and 12W drivers are also available. Emergency circuits for use with building generators are also available.

Finishes

All luminaires are finished in high quality polyester powder coating.

Weight

5lbs per foot (excludes modules)

Optics

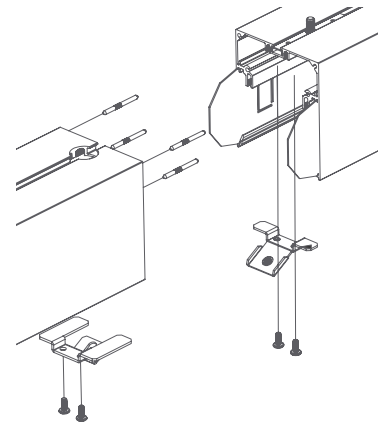
Extruded satin acrylic lenses provide excellent diffusion, high transmission, and no LED imaging.

Construction

Housings are extruded premium, recycled aluminum. Individual fixtures are available up to 12' long and may be specified as nominal or precision lengths. Precision lengths are supplied within 1/8" tolerance.

Joined runs

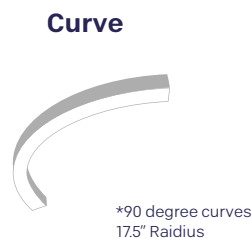
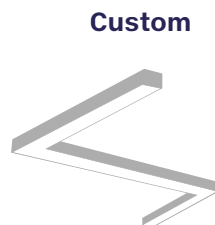
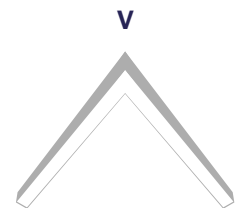
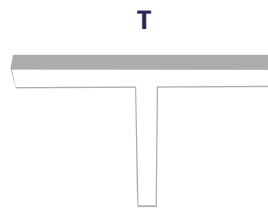
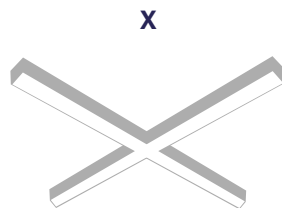
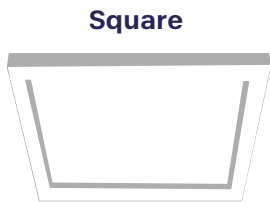
Runs of any length may be specified and are comprised of multiple, factory-engineered, joined sections. Individually specified luminaires are not field joinable.



Representative joinery. For product specific details see installation guides or submittal drawings.

Patterns

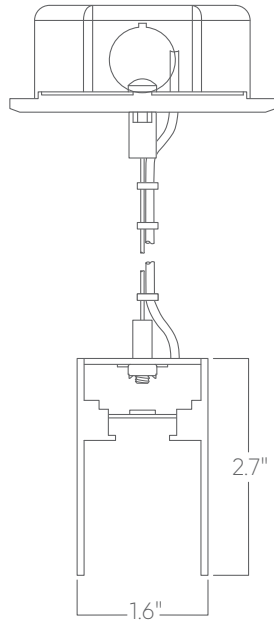
Featuring welded corners and angles. Consult factory for custom designs.



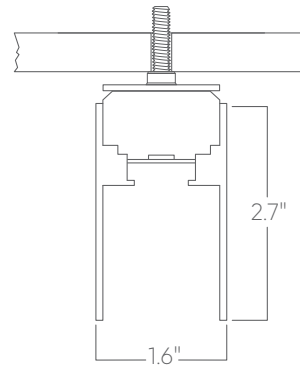
Magneto Track

Mounting Options

Custom mounting types and ceiling transitions available; consult factory.



Aircraft cable



Surface mount