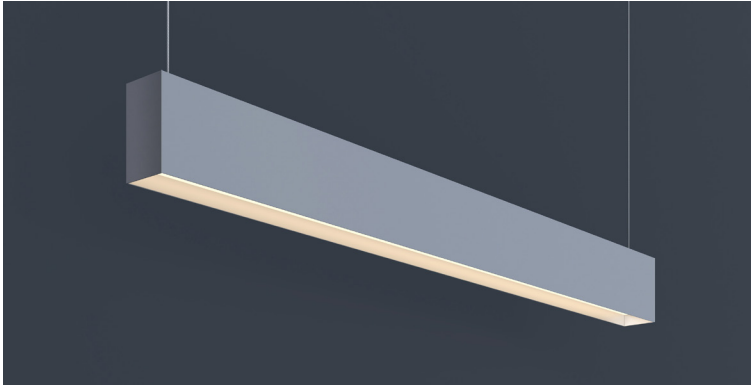




DATE \_\_\_\_\_ PROJECT \_\_\_\_\_ FIRM \_\_\_\_\_ TYPE \_\_\_\_\_

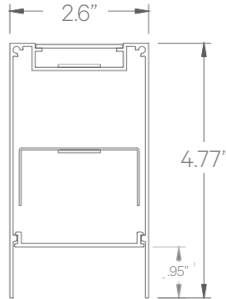


### FEATURES

- Nominal 1" Regressed Lens
- Direct/Indirect Lighting
- Available In Made To Measure Lengths
- Damp Location Rated
- CRI 90+ Standard; R9>50
- 5 Year, 50,000 Hour Fixture Warranty
- 2700K, 3000K, 3500K, 4000K & 5000K Color Temperatures Available
- Available with PoE

<b>APPLICATIONS</b>	Offices, Lobbies, Retail Stores, Classrooms, Reception Areas & Corridors		
<b>CONSTRUCTION</b>	Extruded Aluminum Housing with Die Cast Ends. Formed Steel Gear Tray. Aluminum Baffle..	<b>OPTICS</b>	Extruded High Transmission Satin Acrylic Lens with No LED Imaging and Straight Blade Louver.
<b>WARRANTY</b>	5 Year Limited Warranty (Covers Standard Components)	<b>FINISH</b>	Standard Powder-Coated White. Custom RAL Colors Available
<b>FIXTURE RATINGS &amp; CERTIFICATIONS</b>	Union Made ETL Listed	Made In The USA Damp Location	
<b>ELECTRICAL</b>	Integral Driver with 0-10V Dimming Standard. Several Driver Options Available		
		<b>DRIVERS &amp; SENSORS</b>	
		For Wiring Diagrams and Sensor Information Click <a href="#">Here</a>	

### EXTRUSION DIMENSIONS



### LED SYSTEM INFORMATION

	Nominal System Watts		Nominal Delivered Lumens	
	DIRECT	INDIRECT	DIRECT	INDIRECT
Standard (LTG1)	7 W/ft	7 W/ft	625 lm/ft	710 lm/ft
Low (LTG2)	5 W/ft	5 W/ft	430 lm/ft	520 lm/ft
High (LTG3)	9.5 W/ft	9.5 W/ft	828 lm/ft	920 lm/ft

Based on a 3500K luminaire using one driver and white baffle. Custom outputs available; specify below.

ORDERING	1	2	3	IN -	D -	5	6	7	8	IN -	D -	10	11
	1	2	3	4-INDIRECT	4-DIRECT	5	6	7	8	9-INDIRECT	9-DIRECT	10	11

<b>1 - FIXTURE ID</b>	<b>2 - LENGTH</b>	<b>3 - COLOR TEMP</b>	<b>4 - LED SYSTEM</b>		<b>5 - VOLTAGE</b>	<b>6 - DRIVER</b>
LS2 RG UPDN	2 - 2 ft 4 - 4 ft 8 - 8 ft X'-X" - Specify Length PAT - Pattern (Consult Factory)	27 - 2700K/90 CRI 30 - 3000K/90 CRI 35 - 3500K/90 CRI 40 - 4000K/90 CRI 50 - 5000K/90 CRI TW* - Tunable White	<b>IN - INDIRECT</b>	<b>D - DIRECT</b>	UNV - Universal (120/277V)	<b>DB</b> - Standard Dimming (0-10V) <b>DB1%</b> - 1% Dimming (0-10V) <b>DB.1%</b> - 0.1% Dimming (0-10V) <b>LTEA</b> - Lutron 2-wire 1% Dimming (120V only) <b>LDE1</b> - Lutron Digital EcoSystem <b>LDE5</b> - 5 Series EcoSystem; 5% Dimming <b>PoE</b> - Power over Ethernet. Consult Factory for Compatibility <b>TW10</b> - Dual Channel, 0-10V For Color Tuning (CCT and Intensity Control)
			LTG1 - Standard LTG2 - Low LTG3 - High LTGC - Custom Output	LTG1 - Standard LTG2 - Low LTG3 - High LTGC - Custom Output		

\*Must use TW10 Driver

<b>7 - FINISH (Exterior)</b>	<b>8 - FINISH (Louver)</b>	<b>8 - MOUNTING</b>	<b>9 - OPTICS (Indirect only)</b>	<b>11 - OTHER OPTIONS</b>
W - White (Standard) BLK* - Black CC* - Custom Color (provide RAL#)	BLK - Black W - White SLV - Silver	AC - Air Craft Cable (50") WM - Wall Mount	SD - Standard Diffuser AVI-BW - 140° AVI-OPTIC Batwing	DC - Dual Circuit (Separate Up/Dn Control) EM 120V - Emergency Pack EM 277V - Emergency Pack EMCKT - Emergency Circuit

\*White cord and canopy provided. Must specify for other requests

Updated: 02/18/2021

DATE

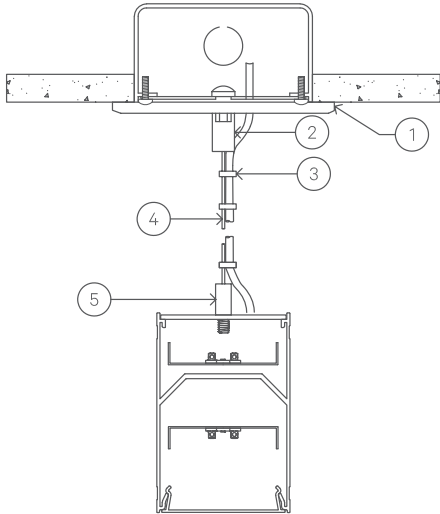
PROJECT

FIRM

TYPE

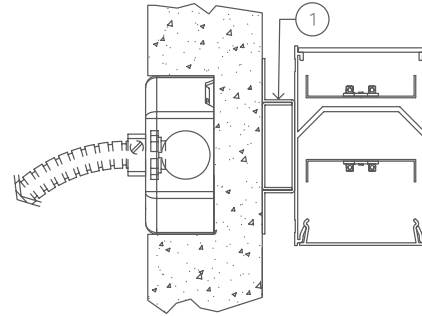
### MOUNTING OPTIONS

#### AC - Air Craft Cable (50")



- 1 - 5" Round Canopy (Standard White Finish)
- 2 - Canopy Retainer
- 3 - S-JT Cord (Standard White)
- 4 - Air Craft Cable
- 5 - Gripper

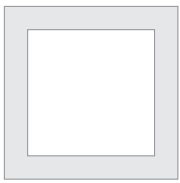
#### WM - Wall Mount



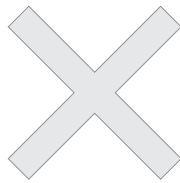
- 1 - 0.75" Wall Mount Bracket

### PATTERNS

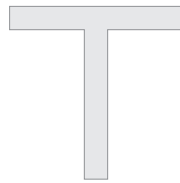
Patterns feature illuminated corners and angles. **Must consult factory for custom corners and patterns.**



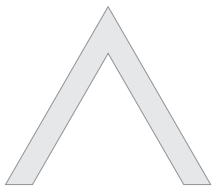
Square Patterns



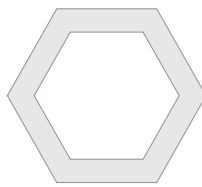
X Patterns



T Patterns

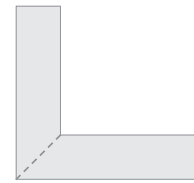


Custom Angles



Custom Patterns

### LENS CUT



Mitered