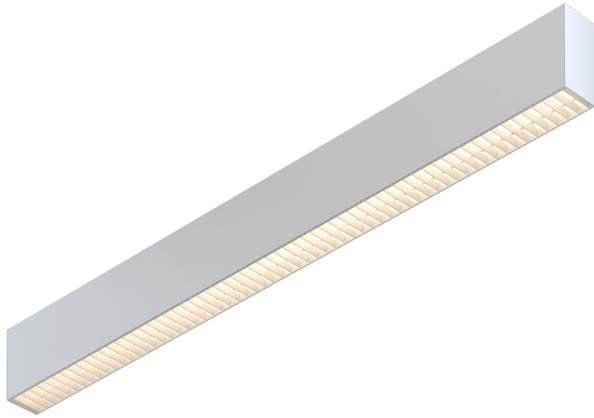


LS2 Louver indirect/direct

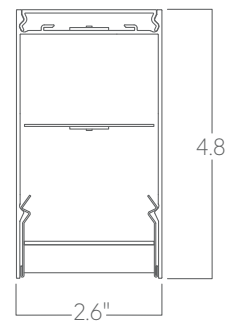


The LS Series of architectural luminaires offers a wide range of profiles and mounting options. Custom lengths and patterns are tailored to suit any modern space.

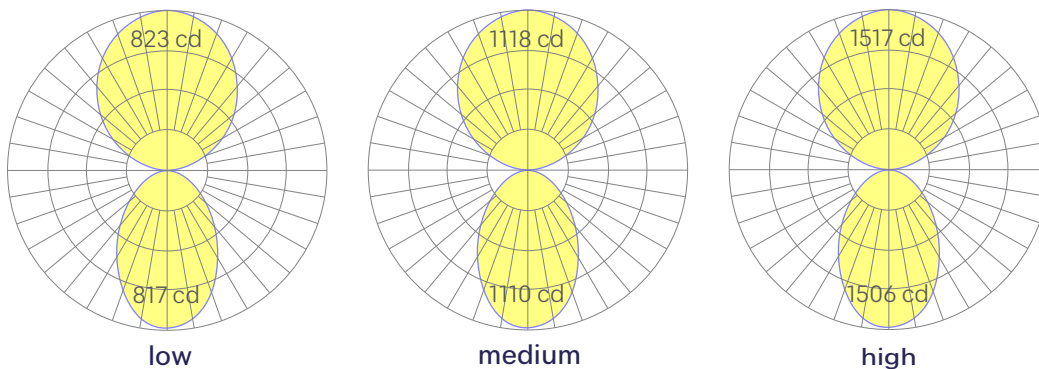
Features

- Extruded recycled aluminum housing
- Aluminum core LED boards, specifiable optics
- Specifiable color temperature. CRI > 90, R9 >50
- Custom lengths, welded patterns, and finishes available
- Integral specifiable dimmable drivers or PoE
- 5 Year, 50,000 hour warranty, damp location rated
- WELL Building Standard compatible [learn more](#)

Dimensions



Optics



Representative distribution and peak candela. For other options see order information or IES files [here](#).

LS2 Louver indirect/direct

Ordering Information

For each option group below specify one option. If you don't see your preferred option listed, [contact us](#) for help.

1 Fixture ID	2 Length	3 Color Temperature	4 Output
LS2 LVR UPDN	2 2 ft nominal 4 4 ft nominal 8 8 ft nominal X'-X" Specify Length <small>Precision lengths may be specified to the nearest 1/8".</small>	27 2700K/90 CRI 30 3000K/90 CRI 35 3500K/90 CRI 40 4000K/90 CRI 50 5000K/90 CRI WD Warm Dim 2200K-3000K <small>Must use WD10 driver</small> TW Tunable White 2700K-6500K <small>Must use WD10 or PSQ driver</small> RGBW30 RGB +white, 3000k <small>Remote DMX. High output unavailable.</small> RGBW35 RGB +white, 3500k <small>Remote DMX. High output unavailable.</small> RGBW40 RGB +white, 4000k <small>Remote DMX. High output unavailable.</small>	Indirect LOW Low output MED Medium output HIGH High output CUST Custom output <small>Specify Watts or lumens</small> Direct LOW Low output MED Medium output HIGH High output CUST Custom output <small>Specify Watts or lumens.</small>
5 Voltage	6 Driver	7 Finish	8 Mounting
UNV Universal (120/277V) 347V 347V <small>Available for DB Driver only</small>	DB Standard 0-10V 1% DB.1% 0-10V 0.1% ELV Reverse Phase 1% (120V only) <small>For compatible dimmers see here.</small> TRI Forward phase (120V only) <small>For compatible dimmers see here.</small> LDE Lutron Digital EcoSystem DALI DALI-2 Driver PoE Power over ethernet. TW10 Dual channel, 0-10V for tunable white. WD10 0-10V Warm Dim PSQ DMX Lutron T-Series 2-channel 1% for tunable white DMX512	7a - Housing W White BLK Black SLV Silver CC Custom Color See options here 7b - Louver W White BLK Black SLV Silver	AC Aircraft Cable <small>50" steel cable provided. White canopies and power cord unless option specified in section 12.</small> AC3.5 3.5" canopy + Jbox adaptor adaptor must be mudded in. White canopies and power cord unless option specified in section 12. WM Wall Mount PS-X Pendant Stem (12", 18", 24", 36", 48") <small>White stems, canopies and power cord unless option specified in section 12.</small>
9 Optics	10 Sensors/Controls	11 Circuit	12 Options
Indirect FL Flat Diffuser AVI-BAT 120° Batwing Direct FL Flat Diffuser	NA None ACM Acuity nLight Module Only CCS Casambi Module AWNR Lutron Athena Wireless Node Module OTHER Consult Factory	NA None DC Dual Circuit <small>(separate indirect/direct control) May require additional power feeds.</small> EMPCK Emergency battery pack <small>May require additional power feeds.</small> EMCKT Emergency circuit <small>May require additional power feeds.</small> DAYCKT Daylight circuit <small>May require additional power feeds.</small>	STD White Canopy + White Cord CAN-X Canopy + color <small>See finish options here</small> SJ-BLK Black cord SJ-WHT White cord

Performance

Output ¹	Indirect			Direct		
	Watts/ft	Lumens/ft	LPW	Watts/ft	Lumens/ft	LPW
Low	5	551	110	5	343	69
Medium	7	749	107	7	465	67*
High	10	1016	101	10	632	63

¹Based on a typically configured 90 CRI, 3500K luminaire using one driver. Custom outputs available. Please consult factory. For 4000K multiply by 105, for 3000K 0.9%, for 2700K, 0.92.

*80 CRI equivalent 79 LPW

Technical Information



click [here](#) or scan QR code

Wiring diagrams, PoE and sensor details

LS2 Louver indirect/direct

Drivers & Electrical

Integral drivers* with 0-10V Dimming standard. Several other driver options available; see ordering information.

*DMX drivers are provided in remote enclosures.

Sensors & Controls

Sensors are installed on an aluminum plate adjacent to the luminaire lens¹. Coronet remains agnostic in our approach to sensors and control systems; our fixtures are compatible with most systems offered.

¹Not applicable to indirect only models. Consult factory.

Emergency Back-Up

For fixtures three-feet or longer, a 4W integral emergency driver may be wired to 4ft sections. 7W, 10W, and 12W drivers are also available (not all integral; consult factory). Emergency circuits for use with building generators are also available.

PoE (Power over Ethernet)

Compatible with virtually all PoE systems including Molex Coresync, Igor, Smartengine, Platformatics, and NuLED SPICEbox.

Consult Factory for systems not listed, See [here](#) for more

Finishes

All luminaires are finished in high quality polyester powder coating. Our standard color is white. Any RAL color may be specified.

Weight

6lbs per foot

Optics

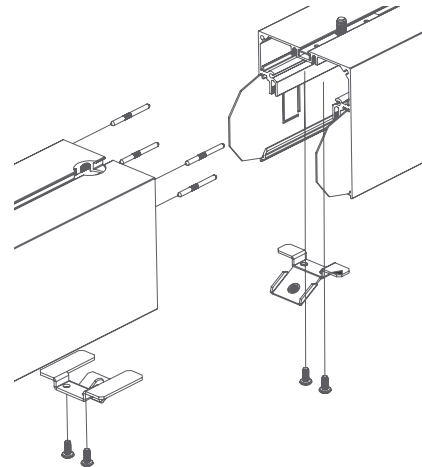
Extruded satin acrylic lenses provide excellent diffusion, high transmission, and no LED imaging with straight blade louver.

Construction

Housings are extruded premium, recycled aluminum. Individual fixtures are available up to 12' long and may be specified as nominal or precision lengths. Precision lengths are supplied within 1/8" tolerance.

Joined Runs

Runs of any length may be specified and are comprised of multiple, factory-engineered, joined sections. Individually specified luminaires are not field joinable.

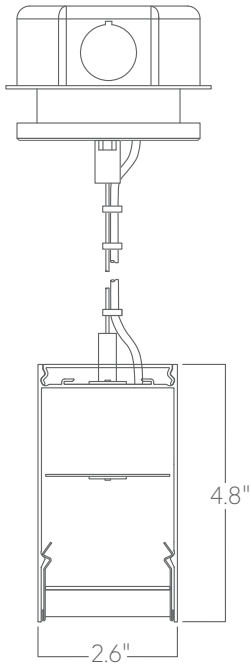


Representative joinery. For product specific details see installation guides or submittal drawings.

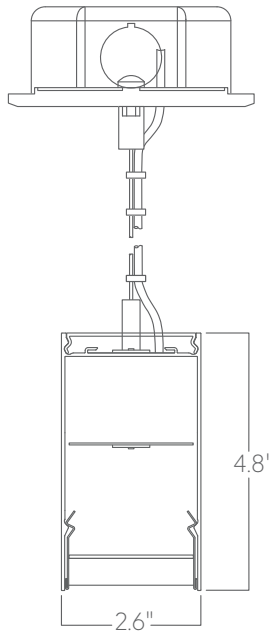
LS2 Louver indirect/direct

Mounting Options

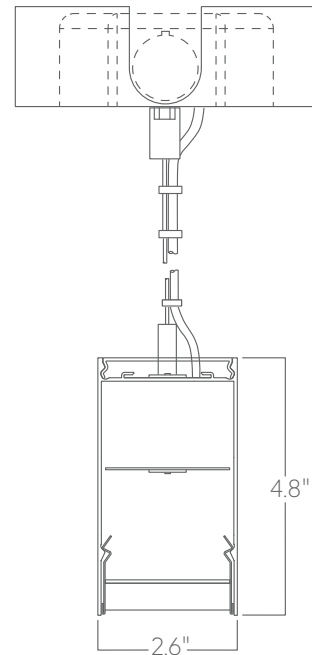
Custom mounting types and ceiling transitions available; consult factory.



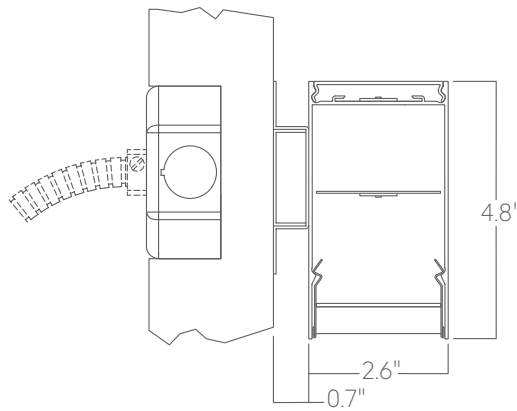
**Aircraft cable
3.5" canopy**



**Aircraft cable
5" canopy**



**Aircraft cable
Conduit canopy
with knockouts**



Wall mount