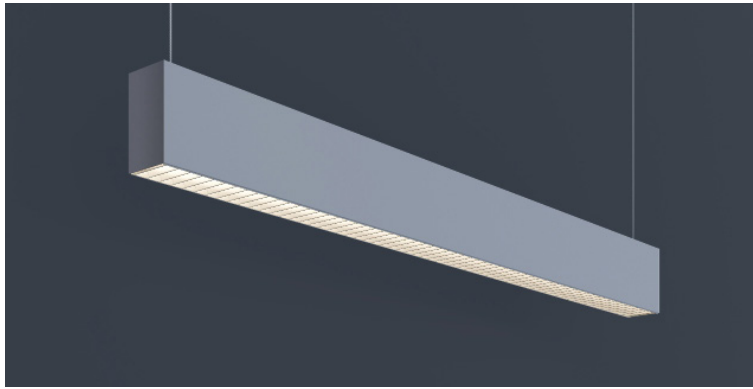


DATE _____ PROJECT _____ FIRM _____ TYPE _____



FEATURES

- Straight Blade Louver
- Available In Made To Measure Lengths
- Patterns Available (See Page 2)
- Damp Location Rated
- CRI 90+ Standard; R9>50
- 5 Year, 50,000 Hour Fixture Warranty
- 2700K, 3000K, 3500K, 4000K & 5000K Color Temperatures Available
- Available with PoE- [See More](#)

APPLICATIONS Extruded High Transmission Satin Acrylic Lens with No LED Imaging and Straight Blade Louver.

FINISH Standard Powder-Coated White. Custom RAL Colors Available

CONSTRUCTION Extruded Aluminum Housing with Sheet Metal Ends. Formed Steel Gear Tray. Aluminum Baffle..

OPTICS Extruded High Transmission Satin Acrylic Lens with No LED Imaging



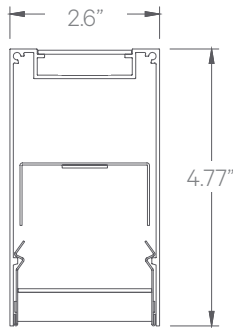
DRIVERS, SENSORS, & POE



For Wiring Diagrams, POE, and Sensor Information Click [Here](#)

ELECTRICAL Integral Driver with 0-10V Dimming Standard. Several Driver Options Available

EXTRUSION DIMENSIONS



LED SYSTEM INFORMATION

	Nominal System Watts	Nominal Delivered Lumens
Standard (LTG1)	7.25 W/ft	450 lm/ft
Low (LTG2)	5 W/ft	345 lm/ft
High (LTG3)	10 W/ft	615 lm/ft

Based on a 90CRI, 3500K luminaire using one driver. Custom outputs available; specify below.

ORDERING

1 2 3 4 5 6 7 8 9 10 11

1 - FIXTURE ID LS2 LVR	2 - LENGTH 2 - 2 ft 4 - 4 ft 8 - 8 ft X'-X" - Specify Length	3 - COLOR TEMP 27 - 2700K/90 CRI 30 - 3000K/90 CRI 35 - 3500K/90 CRI 40 - 4000K/90 CRI 50 - 5000K/90 CRI WD* - Warm Dim 2200K-3000K TW** - Tunable White 2700K-6500K *Requires WD10 Driver **Requires TW10 Driver	4 - LED SYSTEM LTG1 - Standard LTG2 - Low LTG3 - High LTGC - Custom Output	5 - VOLTAGE UNV - Universal (120/277V) 347V* - 347V *Must use DB Driver	6 - DRIVER DB - Standard 1% Dimming (0-10V) DB.1% - 0.1% Dimming (0-10V) ELV-TRI - 2-wire 1% Dimming (120V only) ELV and TRIAC Compatible LDE1 - Lutron Digital EcoSystem DALI - DALI-2 Driver JA8 - JA8 Compliant 1% Dimming (0-10V) PoE - Power over Ethernet by Molex TW10 - Dual Channel, 0-10V For Color Tuning (CCCT and Intensity Control) WD10 - 0-10V Driver For Warm Dimming PSQ - Lutron 0-10V For Color Tuning
----------------------------------	---	---	---	--	--

7 - FINISH (Exterior) W - White (Standard) BLK* - Black CC* - Custom Color (provide RAL#)	8 - FINISH (Louver) BLK - Black W - White SLV - Silver	9 - MOUNTING AC - Aircraft Cable (50") SM - Surface Mount WM - Wall Mount PS-X* Pendant Stem (12", 18", 24", 36", 48") *White stems and canopy provided. Must specify for other requests. **For Perimeter Mount see LSR2 spec sheet.	10 - OPTICS SD - Standard Diffuser	11 - OTHER OPTIONS EM 120V - Emergency Pack EM 277V - Emergency Pack EMCKT - Emergency Circuit
---	--	---	--	--

DATE

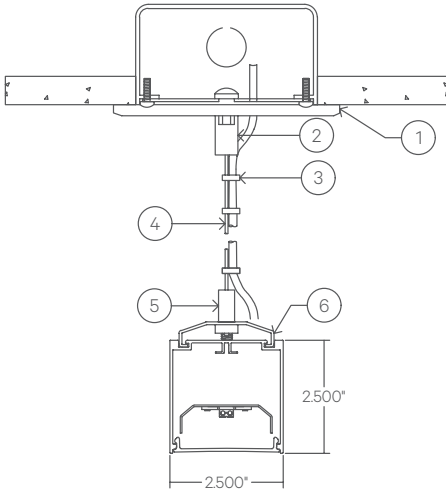
PROJECT

FIRM

TYPE

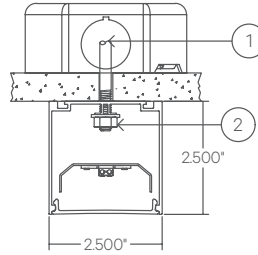
MOUNTING OPTIONS

AC - Air Craft Cable (50")



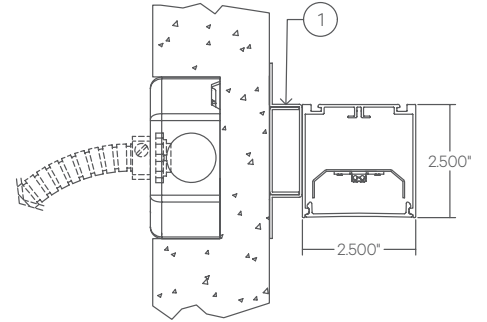
- 1 - 5" Round Canopy (Standard White Finish)
- 2 - Canopy Retainer
- 3 - SJT Cord (Standard White)
- 4 - Air Craft Cable
- 5 - Gripper
- 6 - Hanging Bracket

SM - Surface Mount



- 1 - Threaded Rod (not supplied)
- 2 - 1/4-20 Nut (not supplied)

WM - Wall Mount



- 1 - 0.75" Wall Mount Bracket

LOUVRE SPACING

