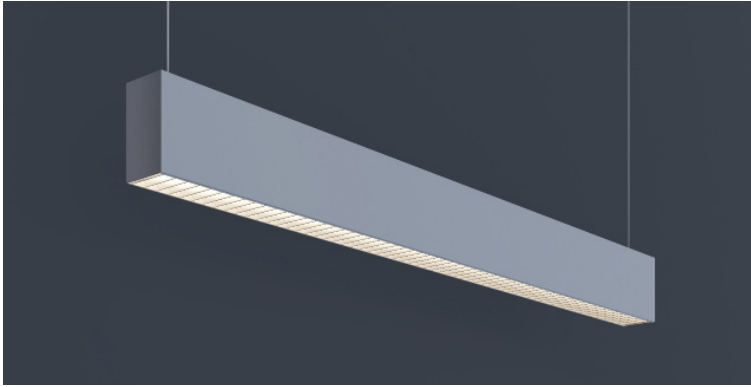




DATE _____ PROJECT _____ FIRM _____ TYPE _____

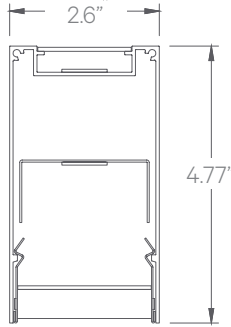


FEATURES

- Straight Blade Louver
- Direct/Indirect Lighting
- Available In Made To Measure Lengths
- Damp Location Rated
- CRI 90+ Standard; R9>50
- 5 Year, 50,000 Hour Fixture Warranty
- 2700K, 3000K, 3500K, 4000K & 5000K Color Temperatures Available
- Available with PoE

APPLICATIONS	Offices, Lobbies, Retail Stores, Classrooms, Reception Areas & Corridors		
CONSTRUCTION	Extruded Aluminum Housing with Sheet Metal Ends. Formed Steel Gear Tray. Aluminum Baffle..	OPTICS	Extruded High Transmission Satin Acrylic Lens with No LED Imaging and Straight Blade Louver. Additional Optics Available
WARRANTY	5 Year Limited Warranty (Covers Standard Components)	FINISH	Standard Powder-Coated White. Custom RAL Colors Available
FIXTURE RATINGS & CERTIFICATIONS	Union Made ETL Listed	Made In The USA Damp Location	
ELECTRICAL	Integral Driver with 0-10V Dimming Standard. Several Driver Options Available		
		DRIVERS & SENSORS	
		For Wiring Diagrams and Sensor Information Click Here	

EXTRUSION DIMENSIONS



LED SYSTEM INFORMATION

	Nominal System Watts		Nominal Delivered Lumens	
	DIRECT	INDIRECT	DIRECT	INDIRECT
Standard (LTG1)	7 W/ft	7 W/ft	450 lm/ft	710 lm/ft
Low (LTG2)	5 W/ft	5 W/ft	345 lm/ft	520 lm/ft
High (LTG3)	9.5 W/ft	9.5 W/ft	615 lm/ft	920 lm/ft

Based on a 3500K luminaire using one driver and white baffle. Custom outputs available; specify below.

ORDERING 1 2 3 IN - D - 4 5 6 7 8 IN - D - 9 10 11

1 - FIXTURE ID	2 - LENGTH	3 - COLOR TEMP	4 - LED SYSTEM		5 - VOLTAGE	6 - DRIVER
LS2 LVR UPDN	2 - 2 ft 4 - 4 ft 8 - 8 ft X'-X" - Specify Length	27 - 2700K/90 CRI 30 - 3000K/90 CRI 35 - 3500K/90 CRI 40 - 4000K/90 CRI 50 - 5000K/90 CRI TW* - Tunable White	IN - INDIRECT	D - DIRECT	UNV - Universal (120/277V)	DB - Standard Dimming (0-10V) DB1% - 1% Dimming (0-10V) DB.1% - 0.1% Dimming (0-10V) LTEA - Lutron 2-wire 1% Dimming (120V only) LDE1 - Lutron Digital EcoSystem PoE - Power over Ethernet. Consult Factory for Compatibility TW10 - Dual Channel, 0-10V For Color Tuning (CCT and Intensity Control) PSQ - Lutron 0-10V For Color Tuning
		*Must use TW10 Driver	LTG1 - Standard LTG2 - Low LTG3 - High LTGC - Custom Output	LTG1 - Standard LTG2 - Low LTG3 - High LTGC - Custom Output		

7 - FINISH (Exterior)	8 - FINISH (Louver)	8 - MOUNTING	9 - OPTICS (Indirect only)	11 - OTHER OPTIONS
W - White (Standard) BLK* - Black CC* - Custom Color (provide RAL#)	BLK - Black W - White SLV - Silver	AC - Air Craft Cable (50") WM - Wall Mount	SD - Standard Diffuser AVI-BW - 140° AVI-OPTIC Batwing	DC - Dual Circuit (Separate Up/Dn Control) EM 120V - Emergency Pack EM 277V - Emergency Pack EMCKT - Emergency Circuit

*White cord and canopy provided. Must specify for other requests

Updated: 03/19/2021

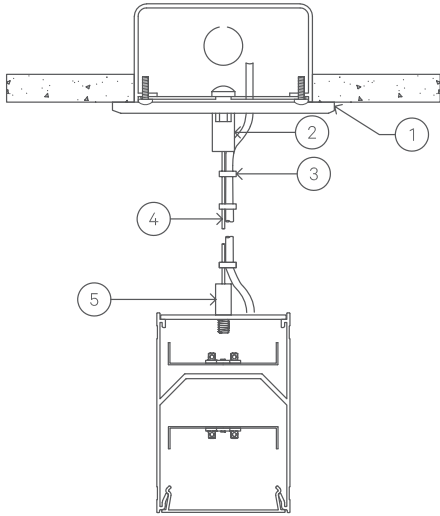
DATE

PROJECT

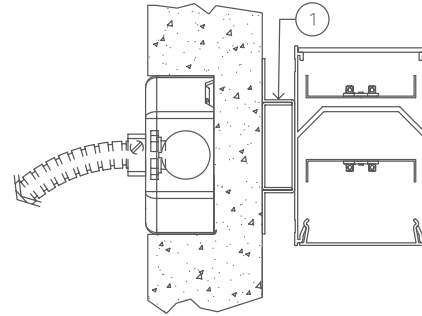
FIRM

TYPE

MOUNTING OPTIONS



- 1 - 5" Round Canopy (Standard White Finish)
- 2 - Canopy Retainer
- 3 - S-JT Cord (Standard White)
- 4 - Air Craft Cable
- 5 - Gripper



- 1 - 0.75" Wall Mount Bracket

LOUVRE SPACING

