

# Easy Cove ceiling

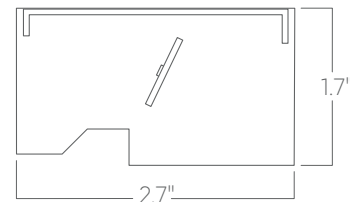


Our Easy Cove luminaires are designed for quick, simple installation in custom or pre-fabricated architectural coves. Wide asymmetric optic available for 45° asymmetric distribution.

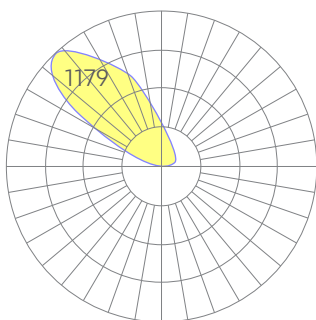
## Features

- Available with wide asymmetric optic
- Aluminum core LED boards
- Quick Connectors for continuous butt mounting
- Specifiable color temperature. CRI > 90, R9 >50
- Custom patterns and finishes available
- Integral, specifiable dimmable drivers or PoE
- 5 Year, 50,000 hour warranty, damp location rated
- WELL Building Standard compatible [learn more](#)

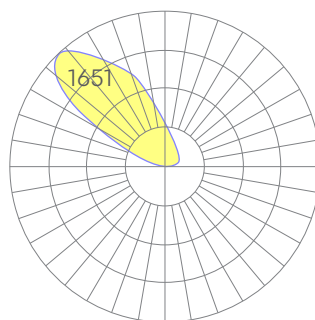
## Dimensions



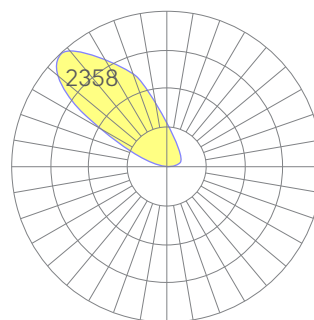
## Optics



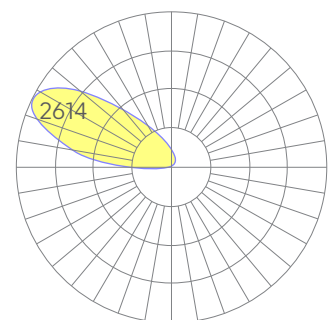
low



medium



high



avi wide asym

Representative distribution and peak candela. For other options see order information or IES files [here](#).

# Easy Cove ceiling

## Ordering Information



Example: EZ-C - 8 - 35 - LOW - UNV - DB - W - C - SD - CCS - DAYCKT - NA

| Fixture ID  | Length   | Color Temperature   | Output   |
|---|--|---|--|
| EZ-C  | 2 2 ft<br>4 4 ft<br>8 8 ft<br>X'-X" Specify Length<br>PAT Pattern (Consult Factory)  | 27 2700K/90 CRI<br>30 3000K/90 CRI<br>35 3500K/90 CRI<br>40 4000K/90 CRI<br>50 5000K/90 CRI<br><br>WD <sup>1</sup> Warm Dim 2200K-3000K<br>TW <sup>2</sup> Tunable White 2700K-6500K<br>RGBW30 <sup>3</sup> RGB +white, 3000k<br>RGBW35 <sup>3</sup> RGB +white, 3500k<br>RGBW40 <sup>3</sup> RGB +white, 4000k | LOW Low output<br>MED Medium output<br>HIGH High output<br>CUST Custom output <sup>1</sup> |
| <sup>1</sup> Precision lengths may be specified to the nearest 1/8".  |  |   |  |
| Voltage   | Driver   | Finish  | Mounting   |
| UNV 347V <sup>1</sup> Universal (120/277V) 347V   | DB Standard 0-10V 1%<br>DB.1% 0-10V 0.1%<br>ELV <sup>2</sup> Reverse Phase 1% (120V only)<br>TRI <sup>2</sup> Forward phase (120V only)<br>LDE1 Lutron Digital EcoSystem<br>DALI DALI-2 Driver<br>PoE Power over ethernet<br>TW10 Dual channel, 0-10V for tunable white.<br>WD10 0-10V Warm Dim<br>PSQ Lutron T-Series 2-channel 1% for tunable white<br>DMX <sup>1</sup> DMX512 | W White<br>BLK Black<br>SLV Silver<br>CC <sup>1</sup> Custom Color  | NT Mud-in  |
| <sup>1</sup> Must use DB Driver   |  |   |  |
| <sup>1</sup> Set to default address 001. Contact us for other addressing needs.<br><sup>2</sup> For compatible dimmers, click here. |  |   |  |
| <sup>1</sup> Custom Color. See finish options here.   |  |   |  |
| Optics  | Sensors/Controls   | Circuit   | Options  |
| SD Standard Diffuser<br>AVI WAO Wide Asymmetric Optic   | NA None<br>ACM Acuity nLight Module Only<br>CCS Casambi Module<br>AWNLR Lutron Athena Wireless Node Module   | NA None<br>EMPCK Emergency Battery Pack<br>EMCKT Emergency Circuit<br>DAYCKT Daylight Circuit   | NA None  |
| Consult factory for other options.  |  |   |  |

## Performance

| Output <sup>1</sup> | Watts/ft | Lumens/ft |
|---------------------|----------|-----------|
| Low                 | 5        | 400       |
| Medium              | 7        | 561       |
| High                | 10       | 801       |

<sup>1</sup>Based on a typically configured 90 CRI, 3500K luminaire using one driver.

Custom outputs available. Please consult factory.  
For 4000K multiply by 1.02; for 3000K 0.98; for 2700K, 0.96, these multipliers also apply to Tunable White.  
For Tunable White outputs, multiply by 1.05 for 5000K and by 1.1 for 6500K.

## Technical Information



click [here](#) or scan QR code

Wiring diagrams, PoE and sensor details

Modification date: March,2023

# Easy Cove ceiling

## Drivers & Electrical

Integral drivers\* with 0-10V Dimming standard. Several other driver options available; see ordering information.

\*DMX drivers are provided in remote enclosures.

## Controls

Control modules may be mounted within luminaires or remotely.

## Emergency Back-Up

For fixtures three-feet or longer, a 4W integral emergency driver may be wired to 4ft sections. 7W, 10W, and 12W drivers are also available (not all integral; consult factory). Emergency circuits for use with building generators are also available.

## PoE (Power over Ethernet)

Compatible with virtually all PoE systems including Molex Coresync, Igor, Smartengine, Platformatics, and NuLED SPICEbox. Consult Factory for systems not listed, See [here](#) for more info.

## Finishes

All luminaires are finished in high quality polyester powder coating. Our standard color is white. Any RAL color may be specified.

## Weight

5 lbs per foot

## Patterns

Featuring illuminated welded corners and angles. Consult factory for custom designs.

## Optics

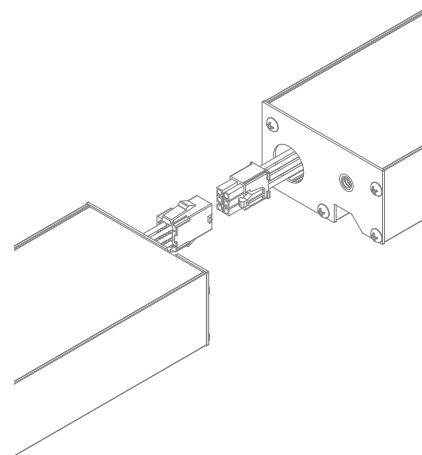
Extruded satin acrylic lenses provide excellent diffusion and high transmission.

## Construction

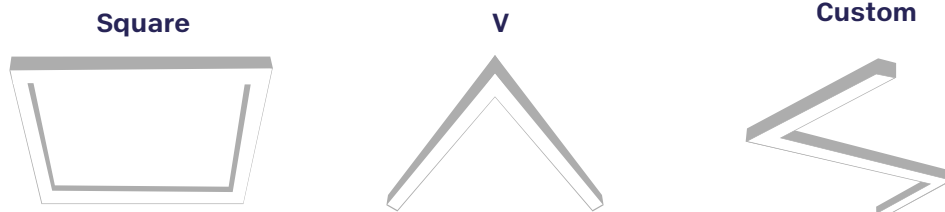
Housings are extruded premium, recycled aluminum. Individual fixtures are available up to 12' long and may be specified as nominal or precision lengths. Precision lengths are supplied within 1/8" tolerance.

## Continuous Runs

Using factory supplied quick connectors, runs up to fifty feet long may be daisy-chained to a single, line-voltage-fed, starter fixture.



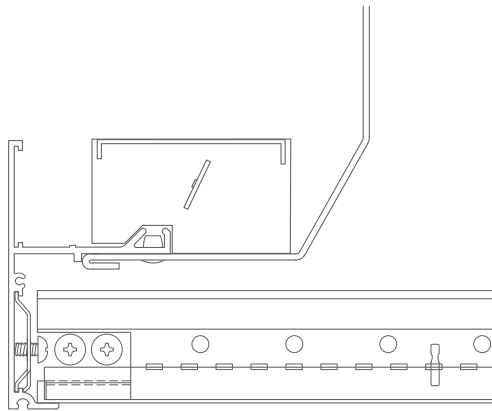
Representative joinery. For product specific details see installation guides or submittal drawings.



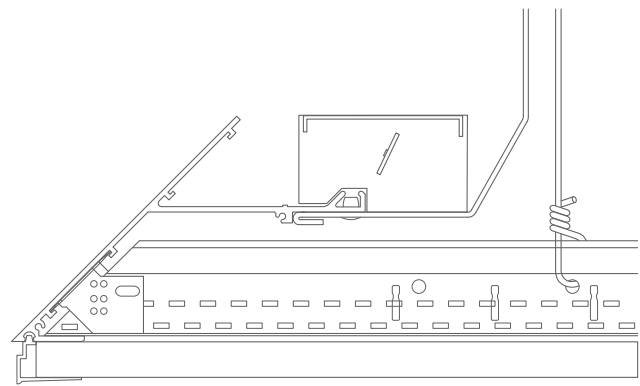
# Easy Cove ceiling

## Mounting Options

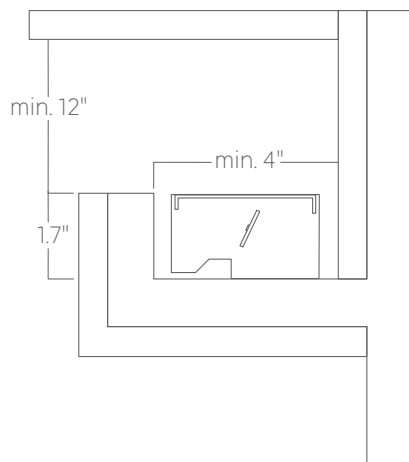
Custom mounting types and ceiling transitions available; consult factory.



**Cove**



**Knife edge**



**Pre-built cove**