

# Easy Cove ceiling

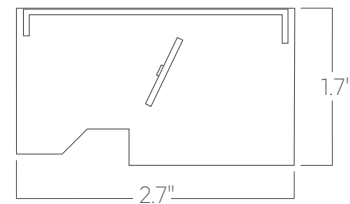


Our Easy Cove luminaires are designed for quick, simple installation in custom or pre-fabricated architectural coves.

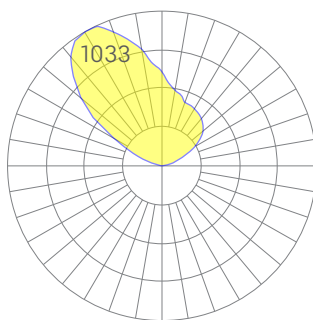
## Features

- Aluminum core LED boards
- Quick Connectors for continuous butt mounting
- Specifiable color temperature. CRI > 90, R9 >50
- Custom patterns and finishes available
- Integral, specifiable dimmable drivers or PoE
- 5 Year, 50,000 hour warranty
- WELL Building Standard compatible [learn more](#)

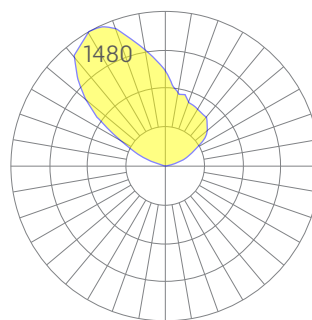
## Dimensions



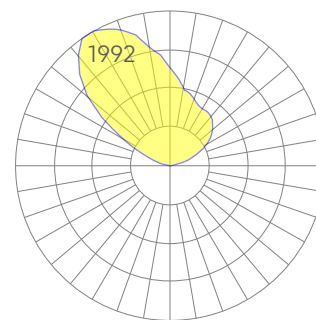
## Optics



low



medium



high

Representative distribution and peak candela. For other options see order information or IES files [here](#).

# Easy Cove ceiling

## Ordering Information



Example: EZ-C - 8 - 35 - LOW - UNV - DB - W - C - SD - CCS - DAYCKT - NA

| Fixture ID                                      | 1 | Length  | 2  | Color Temperature   | 3  | Output   | 4  |
|---|---|---|----|---|----|--|----|
| EZ-C  |   | <b>2</b> 2 ft<br><b>4</b> 4 ft<br><b>8</b> 8 ft<br><b>X'-X"</b> Specify Length <sup>1</sup><br><b>PAT</b> Pattern (Consult Factory)   |    | <b>27</b> 2700K/90 CRI<br><b>30</b> 3000K/90 CRI<br><b>35</b> 3500K/90 CRI<br><b>40</b> 4000K/90 CRI<br><b>50</b> 5000K/90 CRI<br><br><b>WD</b> <sup>1</sup> Warm Dim 2200K-3000K<br><b>TW</b> <sup>2</sup> Tunable white 2700K-6500K<br><b>RGBW30</b> <sup>3</sup> RGB +white, 3000k<br><b>RGBW35</b> <sup>3</sup> RGB +white, 3500k<br><b>RGBW40</b> <sup>3</sup> RGB +white, 4000k |    | <b>LOW</b> Low output<br><b>MED</b> Medium output<br><b>HIGH</b> High output<br><b>CUST</b> Custom output <sup>1</sup> |    |
|   |   | <sup>1</sup> Precision lengths may be specified to the nearest 1/8".  |    | <sup>1</sup> Must use WD10 driver<br><sup>2</sup> Must use TW10 or PSQ driver<br><sup>3</sup> Must use remote DMX driver.   |    | <sup>1</sup> consult factory   |    |
| Voltage   | 5 | Driver  | 6  | Finish  | 7  | Mounting   | 8  |
| UNV 347V <sup>1</sup> Universal (120/277V) 347V |   | <b>DB</b> Standard 0-10V 1%<br><b>DB.1%</b> 0-10V 0.1%<br><b>ELV</b> 2-wire 1% (120V only)<br><b>TRI</b> Forward phase (120V only)<br><b>LDE1</b> Lutron Digital EcoSystem<br><b>DALI</b> DALI-2 Driver<br><b>PoE</b> Power over ethernet.<br><b>TW10</b> Dual channel, 0-10V for tunable white.<br><b>WD10</b> 0-10V Warm Dim<br><b>PSQ</b> Lutron T-Series 2-channel 1% for tunable white<br><b>DMX</b> <sup>1</sup> DMX512 |    | <b>W</b> White<br><b>BLK</b> Black<br><b>CC</b> <sup>1</sup> Custom Color   |    | <b>C</b> Cove  |    |
|   |   | <sup>1</sup> Set to default address 001. RDM capable. Contact us for other addressing needs.  |    | <sup>1</sup> Custom Color. See finish options here.   |    |  |    |
| Optics  | 9 | Sensors/Controls  | 10 | Circuit   | 11 | Options  | 12 |
| SD Standard Diffuser                            |   | <b>NA</b> None<br><b>ACM</b> Acuity nLight Module Only<br><b>CCS</b> Casambi Module   |    | <b>NA</b> None<br><b>EM120V</b> Emergency Pack<br><b>EM277V</b> Emergency Pack<br><b>EMCKT</b> Emergency Circuit<br><b>DAYCKT</b> Daylight Circuit  |    | <b>NA</b> None   |    |
|   |   | Consult factory for other options.  |    |   |    |  |    |

## Performance

| Output <sup>1</sup> | Watts/ft | Lumens/ft |
|---------------------|----------|-----------|
| Low                 | 5        | 434       |
| Medium              | 7        | 620       |
| High                | 10       | 868       |

<sup>1</sup>Based on a typically configured 90 CRI, 3500K luminaire using one driver.

Custom outputs available. Please consult factory.  
For 4000K multiply by 1.05; for 3000K 0.96; for 2700K, 0.92.

## Technical Information



click [here](#) or scan QR code

Wiring diagrams, PoE and sensor details

Modification date: October, 2021

Page 2 of 4

# Easy Cove ceiling

## Drivers & Electrical

Integral drivers\* with 0-10V Dimming standard. Several other driver options available; see ordering information.

\*DMX drivers are provided in remote enclosures.

## Controls

Control modules may be mounted within luminaires or remotely.

## Emergency Back-Up

For fixtures three-feet or longer, a 4W integral emergency driver may be wired to 4ft sections. 7W, 10W, and 12W drivers are also available (not all integral; consult factory). Emergency circuits for use with building generators are also available.

## PoE (Power over Ethernet)

Compatible with virtually all PoE systems including Molex Coresync, Igor, Smartengine, Platformatics, and NuLED SPICEbox. Consult Factory for systems not listed, See [here](#) for more info.

## Finishes

All luminaires are finished in high quality polyester powder coating. Our standard color is white. Any RAL color may be specified.

## Weight

5 lbs per foot

## Patterns

Featuring illuminated welded corners and angles. Consult factory for custom designs.

## Optics

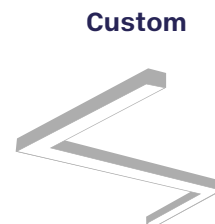
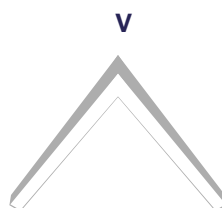
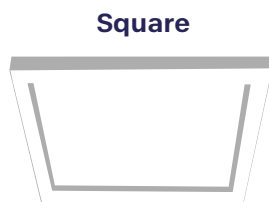
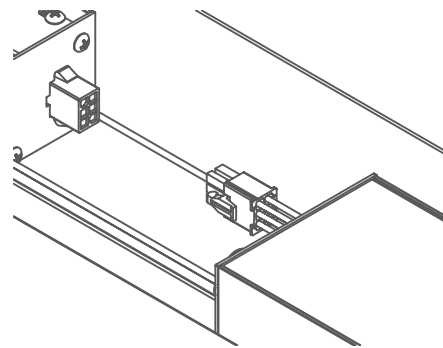
Extruded satin acrylic lenses provide excellent diffusion, high transmission, and no LED imaging.

## Construction

Housings are extruded premium, recycled aluminum. Individual fixtures are available up to 12' long and may be specified as nominal or precision lengths. Precision lengths are supplied within 1/8" tolerance.

## Continuous Runs

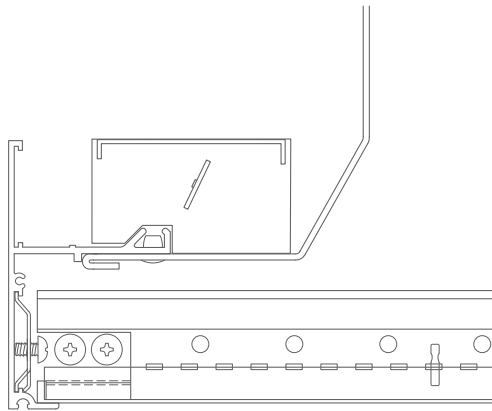
Using factory supplied quick connectors, runs up to fifty feet long may be daisy-chained to a single, line-voltage-fed, starter fixture.



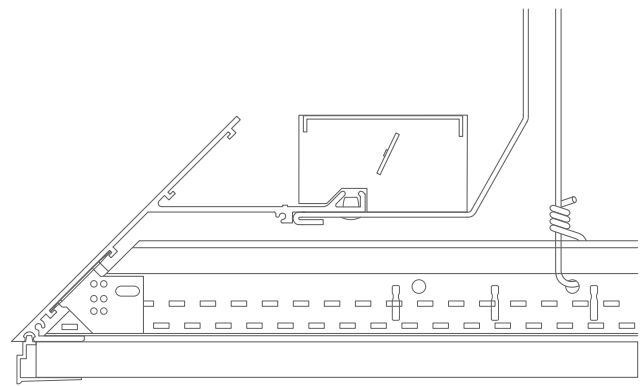
# Easy Cove ceiling

## Mounting Options

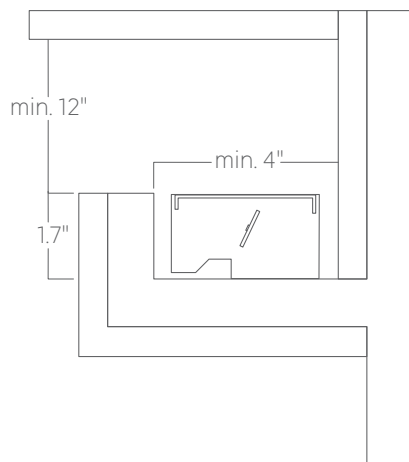
Custom mounting types and ceiling transitions available; consult factory.



**Cove**



**Knife edge**



**Pre-built cove**