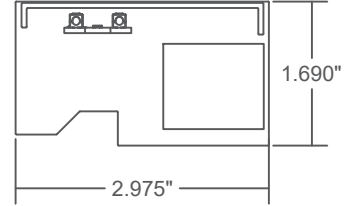


## INSTALLATION GUIDE



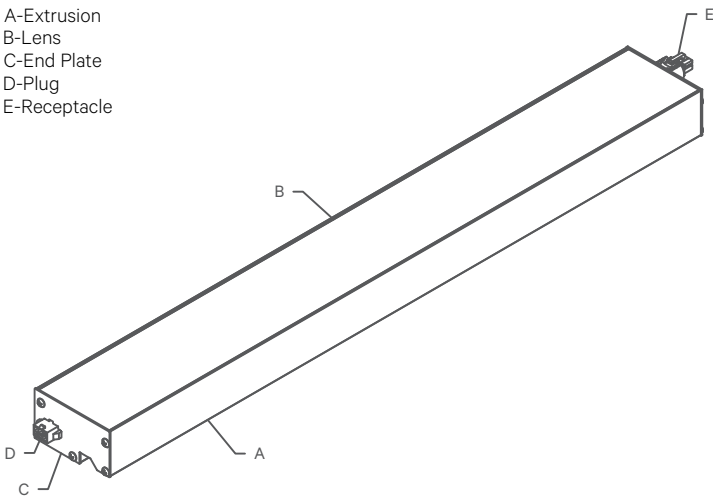
Risk of fire and electrical shock. In accordance with national local building and electrical codes, CORONET lighting fixtures must be installed by a qualified electrician. Disconnect power at electrical panel before servicing.

### CROSS SECTION VIEW

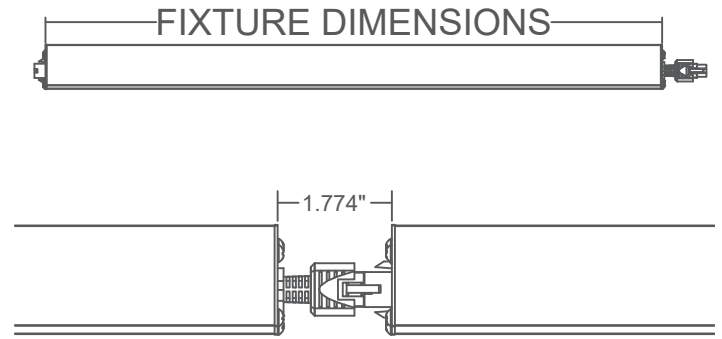


### PART LIST

- A-Extrusion
- B-Lens
- C-End Plate
- D-Plug
- E-Receptacle

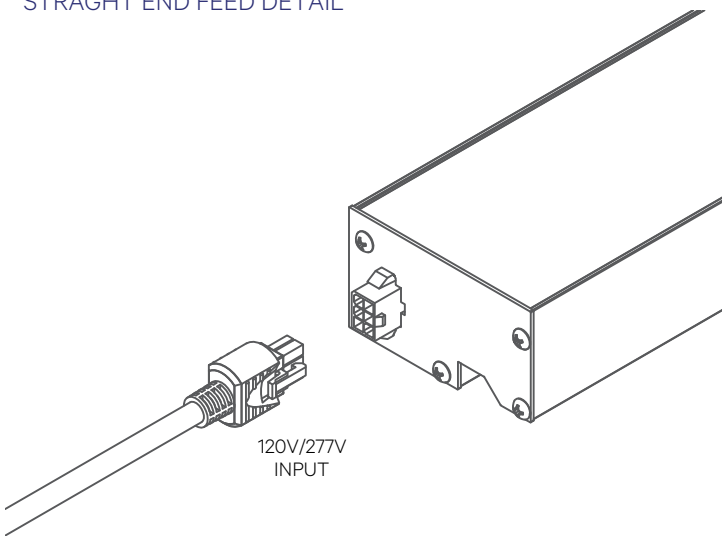


### SIDE VIEW

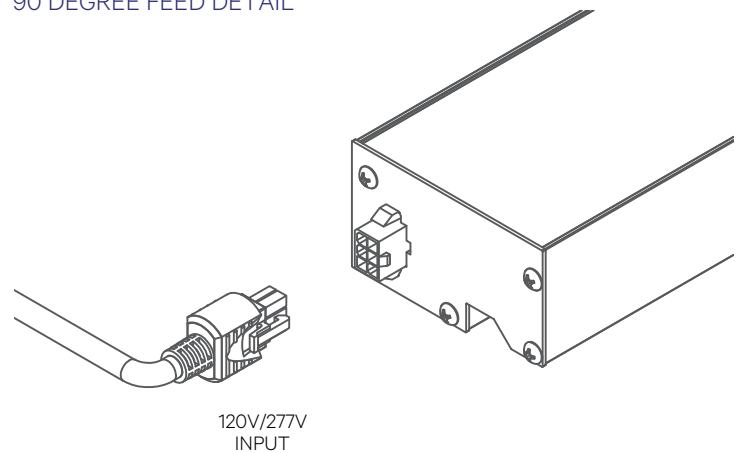


PLEASE CONSULT FACTORY SHOP DRAWINGS FOR FIXTURE DIMENSIONS

### STRAGHT END FEED DETAIL



### 90 DEGREE FEED DETAIL

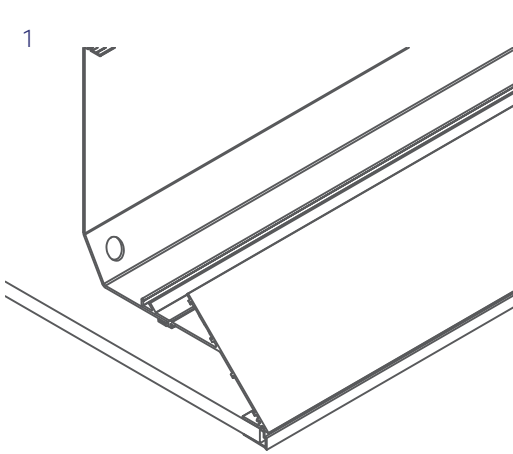


ADDITIONAL SUPPORTS TO THE STRUCTURE MAY BE REQUIRED.  
\*CHECK WITH YOUR LOCAL BUILDING CODE FOR THOSE REQUIREMENTS.

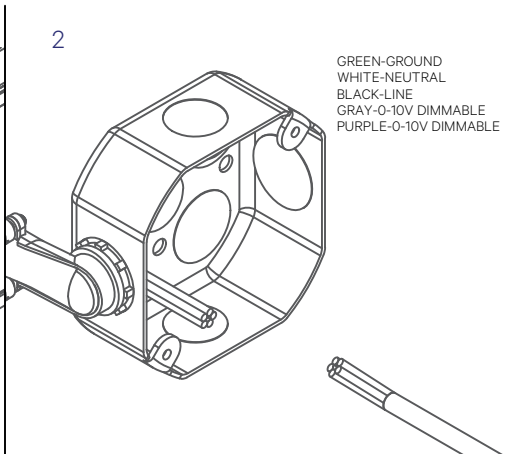
## INSTALLATION GUIDE



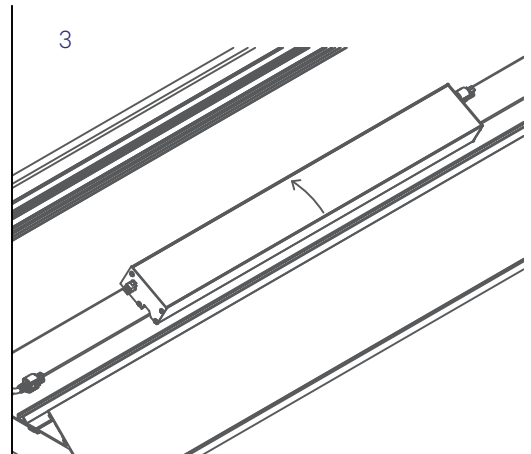
Risk of fire and electrical shock. In accordance with national local building and electrical codes, CORONET lighting fixtures must be installed by a qualified electrician. Disconnect power at electrical panel before servicing.



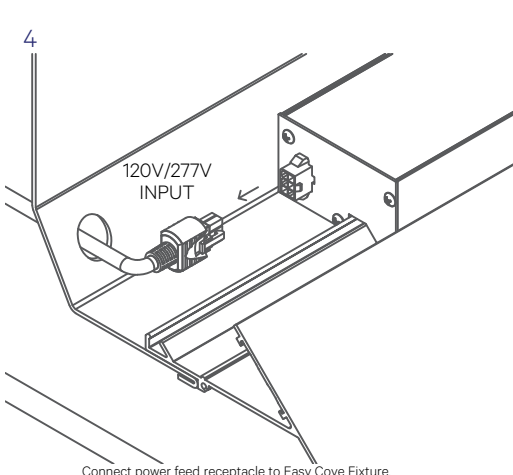
1 Determine power feed hole location and drill a 9/16" hole.



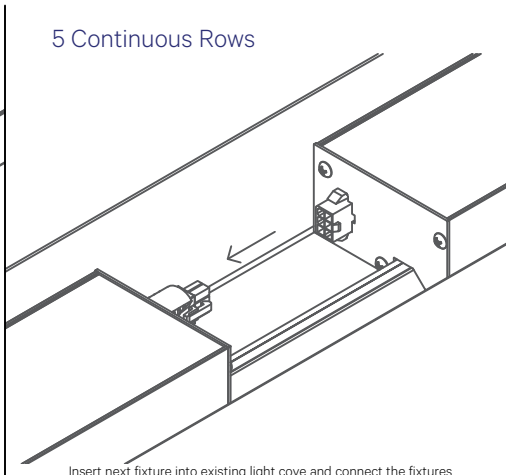
2 Wire fixture to junction box (not supplied).  
NOTE: Junction boxes must be solidly fixed before proceeding with installation.



3 Lay fixture into existing light cove.

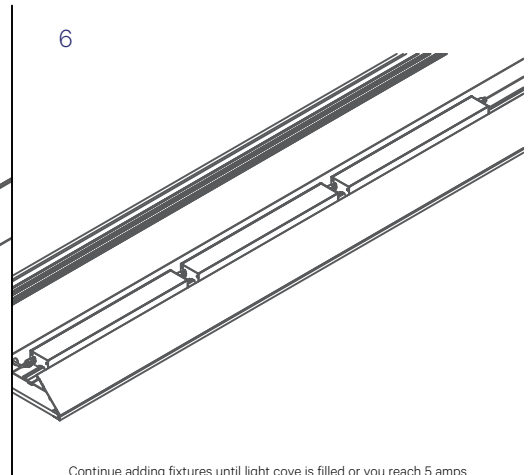


4 Connect power feed receptacle to Easy Cove Fixture.

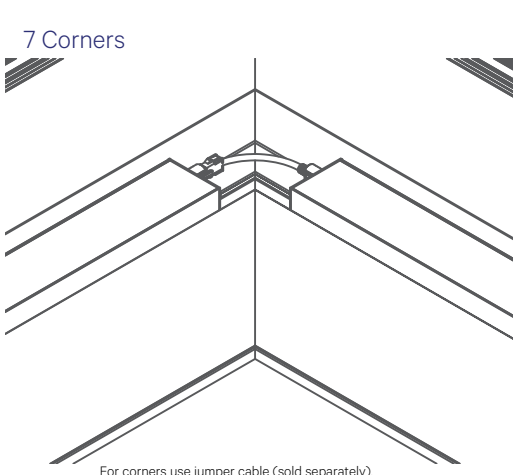


5 Continuous Rows

Insert next fixture into existing light cove and connect the fixtures together.



6 Continue adding fixtures until light cove is filled or you reach 5 amps max per input feed.



7 Corners

For corners use jumper cable (sold separately).

### GENERAL INSTALLATION CONSIDERATIONS - See submittal drawings for job specific data.

Operating Temperature.....-40°C to 50°C  
 Operating Voltage.....110VAC-277VAC, 50Hz-60Hz  
 Weight..... TBD  
 Dimensions.....See submittal drawings

- Installation by a certified electrician only.
- Read and understand the installation instructions before attempting to install or use the fixture.
- Only use fixtures with voltage for which it is rated. Do not exceed the specified voltage and current input.
- Do not use the fixture if the housing, lens, or power cable is damaged.
- Ensure that the main power supply is off before installing or wiring the fixture.
- Method of wire connection to be determined by local electrical codes and regulations.
- The external flexible cable of this luminaire cannot be field replaced; if the cord is damaged, contact Coronet.
- The light source contained in this luminaire shall only be replaced by the lighting manufacturer or his service agent or a similar qualified person.