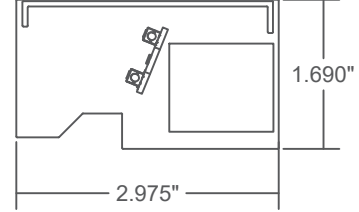


INSTALLATION GUIDE-RECESSED



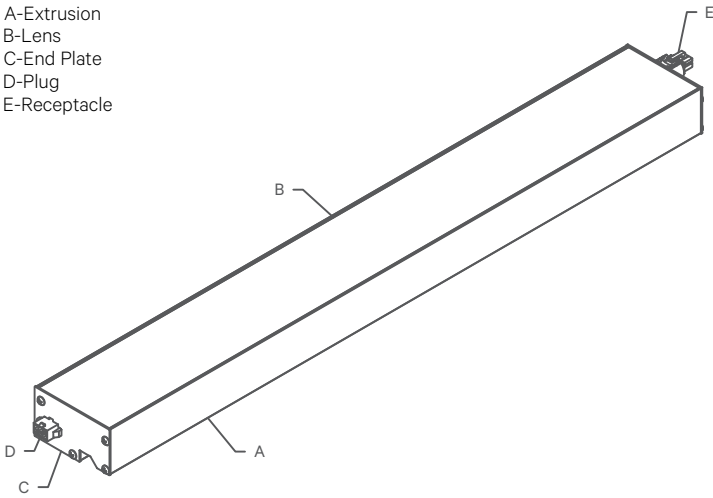
Risk of fire and electrical shock. In accordance with national local building and electrical codes, CORONET lighting fixtures must be installed by a qualified electrician. Disconnect power at electrical panel before servicing.

CROSS SECTION VIEW

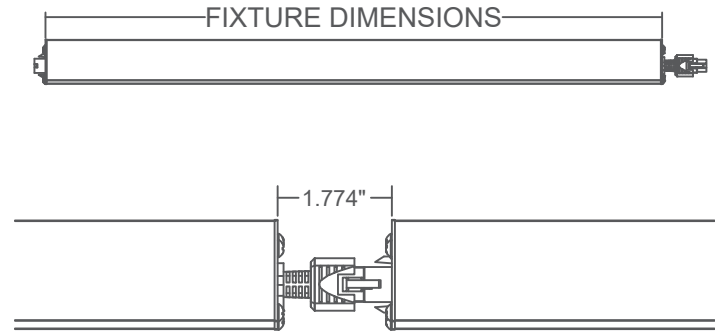


PARTS LIST

- A-Extrusion
- B-Lens
- C-End Plate
- D-Plug
- E-Receptacle

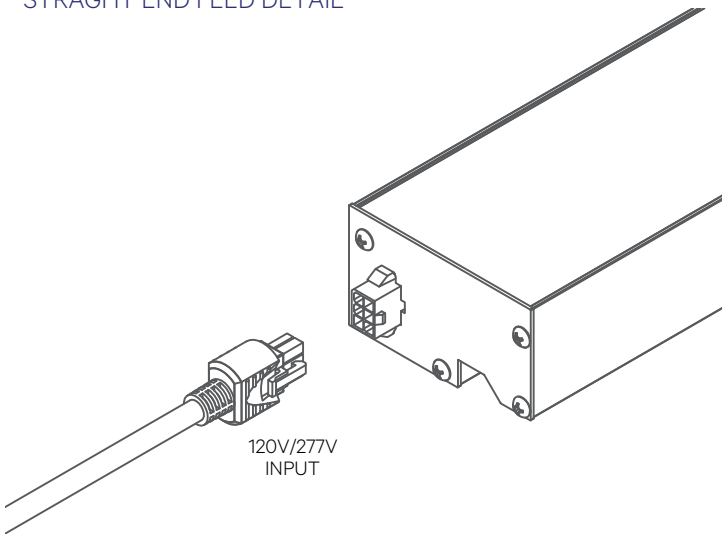


SIDE VIEW

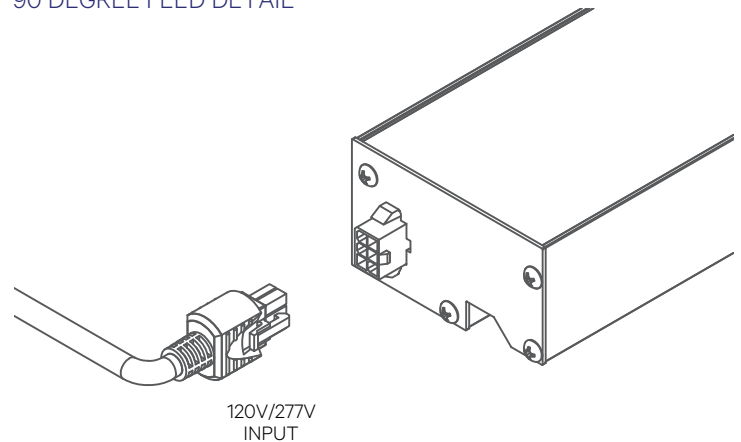


PLEASE CONSULT FACTORY SHOP DRAWINGS FOR FIXTURE DIMENSIONS

STRAGHT END FEED DETAIL



90 DEGREE FEED DETAIL

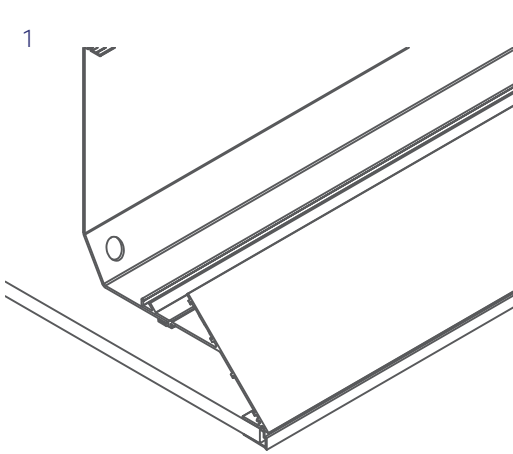


ADDITIONAL SUPPORTS TO THE STRUCTURE MAY BE REQUIRED.
*CHECK WITH YOUR LOCAL BUILDING CODE FOR THOSE REQUIREMENTS.

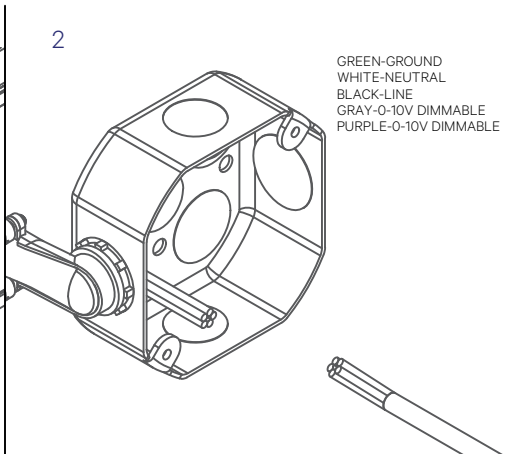
INSTALLATION GUIDE-RECESSED



Risk of fire and electrical shock. In accordance with national local building and electrical codes, CORONET lighting fixtures must be installed by a qualified electrician. Disconnect power at electrical panel before servicing.

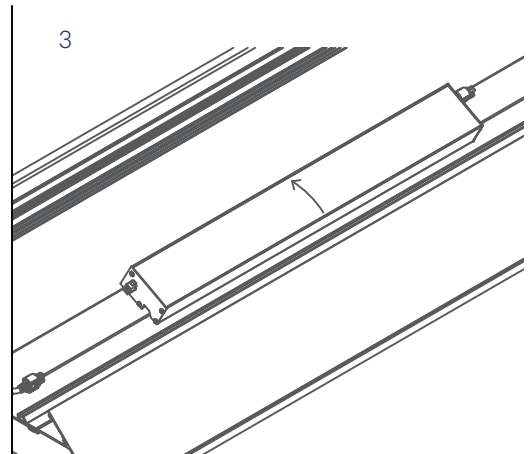


Determine power feed hole location and drill a 9/16" hole.

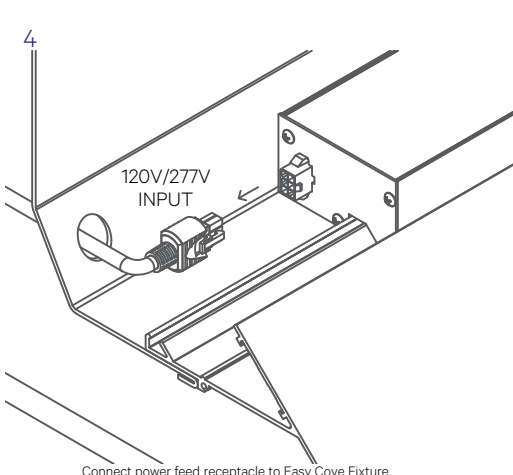


Wire fixture to junction box (not supplied).

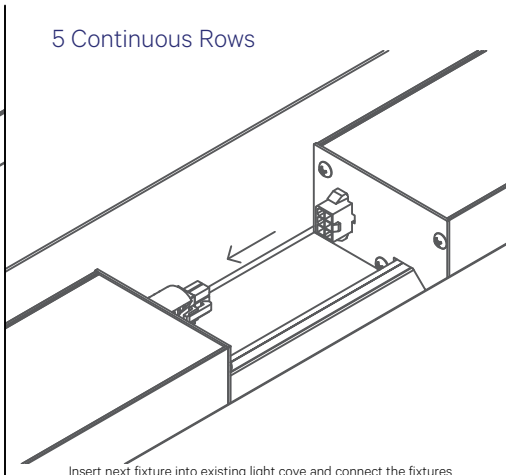
NOTE: Junction boxes must be solidly fixed before proceeding with installation.



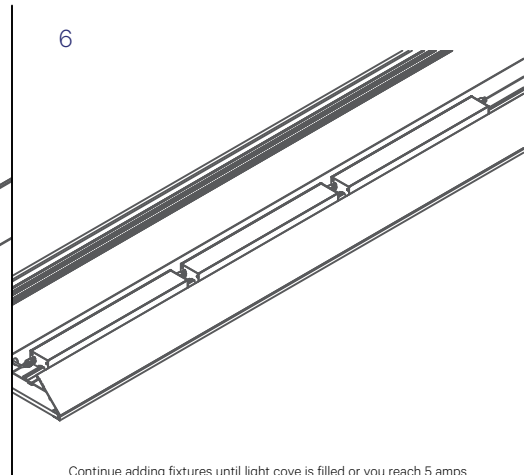
Lay fixture into existing light cove.



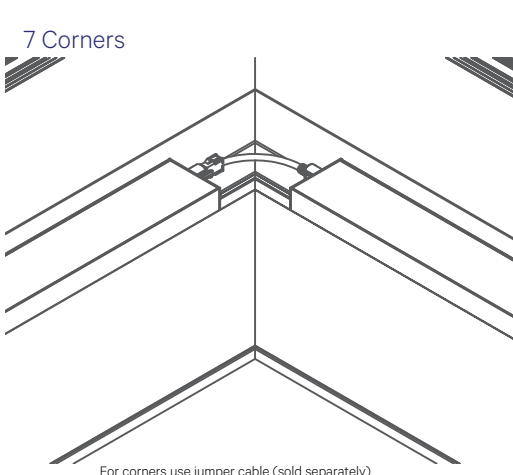
Connect power feed receptacle to Easy Cove Fixture.



Insert next fixture into existing light cove and connect the fixtures together.



Continue adding fixtures until light cove is filled or you reach 5 amps max per input feed.



For corners use jumper cable (sold separately).

GENERAL INSTALLATION CONSIDERATIONS - See submittal drawings for job specific data.

Operating Temperature.....-40°C to 50°C
 Operating Voltage.....110VAC-277VAC, 50Hz-60Hz
 Weight.....TBD
 Dimensions.....See submittal drawings

- Installation by a certified electrician only.
- Read and understand the installation instructions before attempting to install or use the fixture.
- Only use fixtures with voltage for which it is rated. Do not exceed the specified voltage and current input.
- Do not use the fixture if the housing, lens, or power cable is damaged.
- Ensure that the main power supply is off before installing or wiring the fixture.
- Method of wire connection to be determined by local electrical codes and regulations.
- The external flexible cable of this luminaire cannot be field replaced; if the cord is damaged, contact Coronet.
- The light source contained in this luminaire shall only be replaced by the lighting manufacturer or his service agent or a similar qualified person.