

DATE

PROJECT

FIRM

TYPE



## TD Magneto

TD Magneto is an innovative and dynamic fixture that integrates our flexible and easy-to-use Magneto track system into general ambient lighting. Featuring snap-in magnetic mounting that allows you to rearrange several different modules. Fully customizable to suit your specific needs.

Updated: 01/9/2021

DATE \_\_\_\_\_ PROJECT \_\_\_\_\_ FIRM \_\_\_\_\_ TYPE \_\_\_\_\_



### FEATURES

- Recessed 2x4 luminaire with integrated Magneto Track (Modules specified separately)
- Damp Location Rated
- CRI 90+ Standard; R9>50
- 5 Year, 50,000 Hour Fixture Warranty
- 2700K, 3000K, 3500K, 4000K & 5000K Color Temperatures Available
- Available with PoE- [See More](#)

**APPLICATIONS** Offices, Lobbies, Retail Stores, Classrooms, Reception Areas, & Corridors

**FINISH** Standard Powder-Coated White. Custom RAL Colors Available

**CONSTRUCTION** Heavy Gauge, Cold Rolled Steel Housing

**OPTICS** Two Outer And One Center Frosted Acrylic Lenses



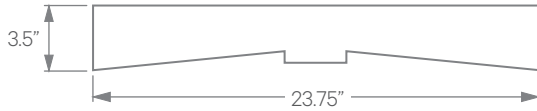
### DRIVERS, SENSORS, & POE



For Wiring Diagrams, POE, and Sensor Information Click [Here](#)

**ELECTRICAL** Dual circuit. Constant current driver with integral 1% 0-10V dimming for ambient portion. Constant voltage driver with 1% 0-10V dimming wired to track.

### EXTRUSION DIMENSIONS



### LED SYSTEM INFORMATION

	Nominal System Watts	Nominal Delivered Lumens	Nominal Efficacy
Standard (LTG1)	58 W	5,858 lm	101 LPW
Low (LTG2)	40 W	4,161 lm	104 LPW
High (LTG3)	80 W	7,837 lm	97 LPW

Based on a 90CRI, 3500K luminaire using one driver. Custom outputs available; specify below.

### ORDERING



#### 1 - FIXTURE ID

TD MAG

#### 2 - LENGTH

2X4

#### 3 - COLOR TEMP

- 27 - 2700K/90 CRI
- 30 - 3000K/90 CRI
- 35 - 3500K/90 CRI
- 40 - 4000K/90 CRI
- 50 - 5000K/90 CRI
- WD\* - Warm Dim 2200K-3000K
- TW\*\* - Tunable White 2700K-6500K

\*Requires WD10 Driver  
\*\*Requires TW10 Driver

#### 4 - LED SYSTEM

- LTG1 - Standard
- LTG2 - Low
- LTG3 - High
- LTGC - Custom Output

#### 5 - VOLTAGE

- UNV - Universal (120/277V)
  - 347V\* - 347V
- \*Must use DB Driver

#### 6 - DRIVER

- DB - Standard 1% Dimming (0-10V)
- DB.1% - 0.1% Dimming (0-10V)
- ELV-TRI - 2-wire 1% Dimming (120V only) ELV and TRIAC Compatible
- LDE1 - Lutron Digital EcoSystem
- LDE5 - 5 Series EcoSystem; 5% Dimming
- DALI - DALI-2 Driver
- PoE - Power over Ethernet. Consult Factory for Compatibility
- TW10 - Dual Channel, 0-10V For Color Tuning (CCT and Intensity Control)
- WD10 - 0-10V Driver For Warm Dimming

#### 7 - FINISH

- W - White (Standard)
- CC - Custom Color (provide RAL#)

#### 8 - MOUNTING

- T - 9/16" Tee Grid
- T15 - 15/16" Tee Grid
- SG - Slot Grid/Interlude
- F - Flange

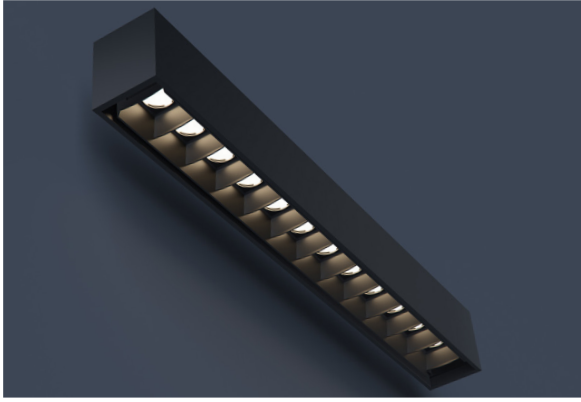
#### 9 - CIRCUIT (Optional)

- EM 120V - Emergency Pack
- EM 277V - Emergency Pack
- EMCKT - Emergency Circuit

#### 10 - OTHER OPTIONS

- AR - Air Return

DATE \_\_\_\_\_ PROJECT \_\_\_\_\_ FIRM \_\_\_\_\_ TYPE \_\_\_\_\_







### FEATURES

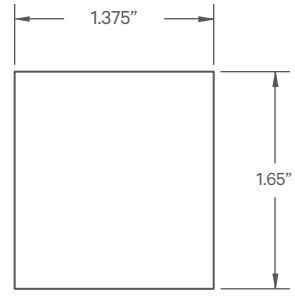
- Magnetically Held Fixture Designed to Be Easily Repositioned in Magneto Track On Site
- Specifiable Optic Packages
- CRI 90+ Standard; R9>50
- Available In Custom Lengths Up To 8' (1 Foot Increments)
- 5 Year, 50,000 Hour Fixture Warranty
- 2700K, 3000K, 3500K & 4000K Color Temperatures Available

<b>APPLICATIONS</b>	Commercial Interiors, Galleries, Retail, Museums, Reception Areas, Hotels, Restaurants
<b>FINISH</b>	Powder-Coated Black Standard. Custom RAL Colors Available for Housing Only (Baffle Only Available in Black)

<b>CONSTRUCTION</b>	Extruded and Cast Aluminum Components. Injection Molded Poly-Carbonate Baffle	<b>OPTICS</b>	Optic Per LED; Various Beam Spreads Available. See Below
---------------------	---	---------------	--

  	<b>DRIVERS</b> For Wiring Diagrams Click <a href="#">Here</a>	
<b>ELECTRICAL</b>	Powered by Magneto Track System. 0-10V Dimmable. 'Flip' Fixture in Track to Select Circuit	

### EXTRUSION DIMENSIONS



### LED SYSTEM INFORMATION

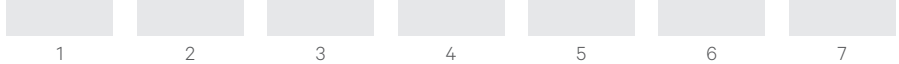
	System Watts	Delivered Lumens	Efficacy
Standard (LTG1)	3 W/ft	303 lm/ft	110 LPW

\*Based on 'WFL' option in 90CRI, 3500K

### BEAM SPREAD INFORMATION

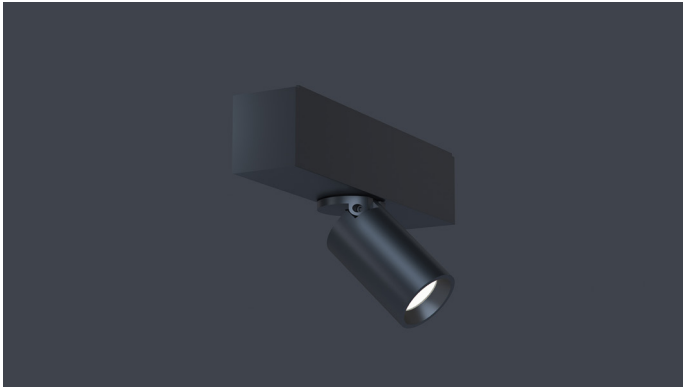
	SP	FL	WFL
CBCP	5816	4122	3116

### ORDERING



1 - FIXTURE ID	2 - LENGTH (Nominal)	3 - COLOR TEMP	4 - LED SYSTEM	5 - FINISH	6 - FINISH (Baffle)	7 - BEAM SPREAD
<b>MAG - BAF</b>	1' - 1 ft 2' - 2 ft 3' - 3 ft 4' - 4 ft 6' - 6 ft 8' - 8 ft X' - Specify Length (To the nearest 1ft)	27 - 2700K/90 CRI 30 - 3000K/90 CRI 35 - 3500K/90 CRI 40 - 4000K/90 CRI	LTG1 - Standard	BLK - Black (Standard) W - White CC - Custom Color (provide RAL#)	BLK - Black	SP - 20° Beam; (Spot) FL - 26° Beam Spread; (Flood) WFL - 32° Beam Spread; (Wide Flood)

DATE \_\_\_\_\_ PROJECT \_\_\_\_\_ FIRM \_\_\_\_\_ TYPE \_\_\_\_\_



### FEATURES

- Magnetically Held Fixture Designed to Be Easily Repositioned in Magneto Track On Site
- Three Beam Spreads Available
- CRI 90+ Standard; R9>50
- Glare Control Accessory Available
- Module is Dimmable Using a 0-10V Control Wired to the Magneto Track
- 2700K, 3000K, 3500K & 4000K Color Temperatures Available

**APPLICATIONS** Commercial Interiors, Galleries, Retail, Museums, Reception Areas, Hotels, Restaurants

**FINISH** Powder-Coated Black Standard. Optional White Powder-Coated Finish. Custom RAL Colors Available

**CONSTRUCTION** Extruded and Cast Aluminum Components

**OPTICS** Field Changeable Optic; Beam Angle of 24°, 27°, and 30° Available. Optional Hex Louver Available



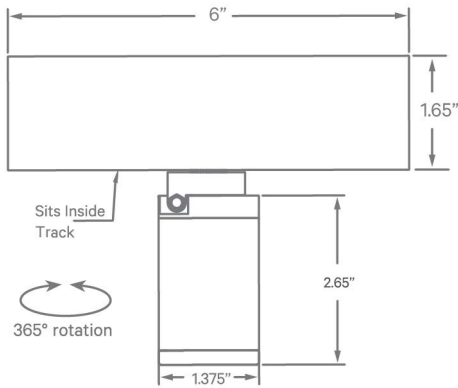
### DRIVERS

For Wiring Diagrams  
Click [Here](#)



**ELECTRICAL** Powered by Magneto Track System. 0-10V Dimmable. 'Flip' Fixture in Track to Select Circuit

### EXTRUSION DIMENSIONS



### LED SYSTEM INFORMATION

	Nominal System Watts	Nominal Delivered Lumens
SM	5 W	328 lm

\*Based on 'WFL' option in 90CRI, 3500K

### ORDERING



#### 1 - FIXTURE ID

MAG - SPT

#### 2 - SIZE

SM

#### 3 - COLOR TEMP

- 27 - 2700K/90 CRI
- 30 - 3000K/90 CRI
- 35 - 3500K/90 CRI
- 40 - 4000K/90 CRI

#### 4 - LED SYSTEM

LTG1 - Standard

#### 5 - VOLTAGE

- UNV - Universal (120/277V)
  - 347V\* - 347V
- \*Must use DB Driver

#### 6 - FINISH

- BLK - Black (Standard)
- W - White
- CC - Custom Color (provide RAL#)

#### 7 - BEAM SPREAD

- SP - 24° Beam; 1754 CBCP
- FL - 27° Beam Spread; 1700 CBCP
- WFL - 30° Beam Spread; 994 CBCP

#### 8 - OPTIONAL ACCESSORIES

HEX - Hex Louver

DATE \_\_\_\_\_ PROJECT \_\_\_\_\_ FIRM \_\_\_\_\_ TYPE \_\_\_\_\_



### FEATURES

- Magnetically Held Fixture Designed to Be Easily Repositioned in Magneto Track On Site
- Three Beam Spreads Available
- CRI 90+ Standard; R9>50
- Glare Control Accessory Available
- Module is Dimmable Using a 0-10V Control Wired to the Magneto Track
- 2700K, 3000K, 3500K & 4000K Color Temperatures Available

**APPLICATIONS** Commercial Interiors, Galleries, Retail, Museums, Reception Areas, Hotels, Restaurants

**FINISH** Powder-Coated Black Standard. Optional White Powder-Coated Finish. Custom RAL Colors Available

**OPTICS** Field Changeable Optic; Beam Angle of 24°, 27°, and 30° Available. Optional Hex Louver Available

**CONSTRUCTION** Extruded and Cast Aluminum Components



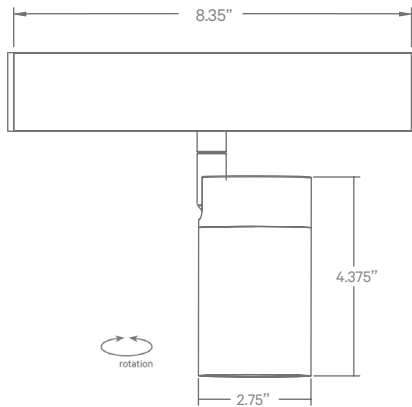
### DRIVERS

For Wiring Diagrams  
Click [Here](#)



**ELECTRICAL** Powered by Magneto Track System. 0-10V Dimmable. 'Flip' Fixture in Track to Select Circuit

### EXTRUSION DIMENSIONS



### LED SYSTEM INFORMATION

	Nominal System Watts	Nominal Delivered Lumens
MED	8 W	340 lm

\*Based on 'WFL' option in 90CRI, 3500K

### BEAM SPREAD INFORMATION

	SP	FL	WFL
CBCP	3271	986	328

### ORDERING

- 1
- 2
- 3
- 4
- 5
- 6
- 7

#### 1 - FIXTURE ID

MAG - SPT

#### 2 - SIZE

MED

#### 3 - COLOR TEMP

- 27 - 2700K/90 CRI
- 30 - 3000K/90 CRI
- 35 - 3500K/90 CRI
- 40 - 4000K/90 CRI

#### 4 - LED SYSTEM

LTG1 - Standard

#### 5 - FINISH

- BLK - Black (Standard)
- W - White
- CC\* - Custom Color (provide RAL#)

\*Additional lead time

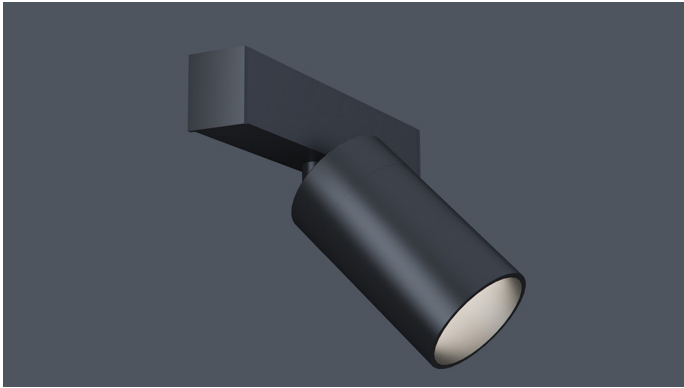
#### 6 - BEAM SPREAD

- SP - 15° Beam; 3271 CBCP
- FL - 38° Beam Spread; 986 CBCP
- WFL - 60° Beam Spread; 328 CBCP

#### 7 - OPTIONAL ACCESSORIES

- HEX - Hex Louver

DATE \_\_\_\_\_ PROJECT \_\_\_\_\_ FIRM \_\_\_\_\_ TYPE \_\_\_\_\_



### FEATURES

- Magnetically Held Fixture Designed to Be Easily Repositioned in Magneto Track On Site
- Three Beam Spreads Available
- CRI 90+ Standard; R9>50
- Module is Dimmable Using a 0-10V Control Wired to the Magneto Track
- 2700K, 3000K, 3500K & 4000K Color Temperatures Available

**APPLICATIONS** Commercial Interiors, Galleries, Retail, Museums, Reception Areas, Hotels, Restaurants

**FINISH** Powder-Coated Black Standard. Optional White Powder-Coated Finish. Custom RAL Colors Available

**OPTICS** Field Changeable Optic; Beam Angle of 15°, 24°, and 60° Available. Optional Hex Louver Available

**CONSTRUCTION** Extruded and Cast Aluminum Components



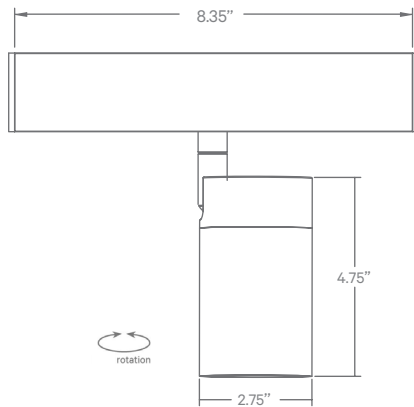
### DRIVERS

For Wiring Diagrams  
Click [Here](#)



**ELECTRICAL** Powered by Magneto Track System. 0-10V Dimmable. 'Flip' Fixture in Track to Select Circuit

### EXTRUSION DIMENSIONS



### LED SYSTEM INFORMATION

	Nominal System Watts	Nominal Delivered Lumens
LRG	14 W	670 lm

\*Based on 'WFL' option in 90CRI, 3500K

### BEAM SPREAD INFORMATION

	SP	FL	WFL
CBCP	2520	1641	904

### ORDERING



#### 1 - FIXTURE ID

MAG - SPT

#### 2 - SIZE

LRG

#### 3 - COLOR TEMP

- 27 - 2700K/90 CRI
- 30 - 3000K/90 CRI
- 35 - 3500K/90 CRI
- 40 - 4000K/90 CRI

#### 4 - LED SYSTEM

LTG1 - Standard

#### 5 - FINISH

- BLK - Black (Standard)
- W - White
- CC\* - Custom Color (provide RAL#)

\*Additional lead time

#### 6 - BEAM SPREAD

- SP - 15° Beam; 2520 CBCP
- FL - 24° Beam Spread; 1641 CPCP
- WFL - 60° Beam Spread; 904 CBCP

#### 7 - OPTIONAL ACCESSORIES

HEX - Hex Louver

DATE \_\_\_\_\_ PROJECT \_\_\_\_\_ FIRM \_\_\_\_\_ TYPE \_\_\_\_\_



### FEATURES

- Magnetically Held Fixture Designed to Be Easily Repositioned in Magneto Track On Site
- Three Beam Spreads Available
- CRI 90+ Standard; R9>50
- Module is Dimmable Using a 0-10V Control Wired to the Magneto Track
- 2700K, 3000K, 3500K & 4000K Color Temperatures Available
- Glare Control

<b>APPLICATIONS</b>	Commercial Interiors, Galleries, Retail, Museums, Reception Areas, Hotels, Restaurants
<b>FINISH</b>	Powder-Coated Black Standard. Optional White Powder-Coated Finish. Custom RAL Colors Available
<b>OPTICS</b>	Field Changeable Optic; Beam Angle of 15°, 38°, and 60° Available.

**CONSTRUCTION** Extruded and Cast Aluminum Components

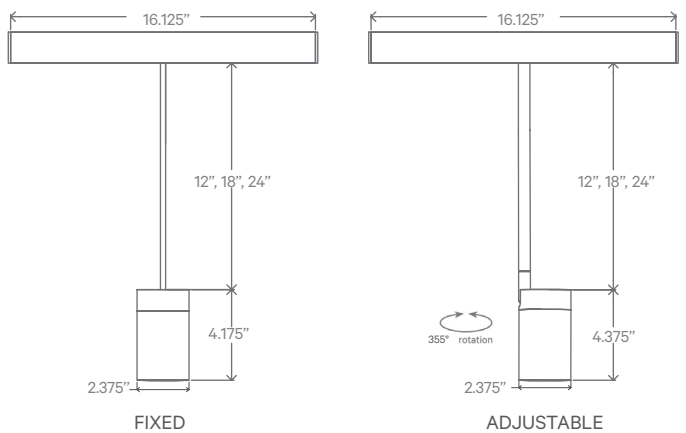


**ELECTRICAL** Powered by Magneto Track System. 0-10V Dimmable. 'Flip' Fixture in Track to Select Circuit

**DRIVERS**  
For Wiring Diagrams  
Click [Here](#)



### EXTRUSION DIMENSIONS



### LED SYSTEM INFORMATION

	Nominal System Watts	Nominal Delivered Lumens
MED	8 W	340 lm

\*Based on 'WFL' option in 90CRI, 3500K

### BEAM SPREAD INFORMATION

	SP	FL	WFL
CBCP	3271	986	328

### ORDERING



- |   |   |   |   |  |
|---|---|---|---|--|
| <b>1 - FIXTURE ID</b><br>MAG - PEND   | <b>2 - SIZE</b><br>MED  | <b>3 - STYLE</b><br>FIX - Fixed<br>ADJ - Adjustable | <b>4 - COLOR TEMP</b><br>27 - 2700K/90 CRI<br>30 - 3000K/90 CRI<br>35 - 3500K/90 CRI<br>40 - 4000K/90 CRI | <b>5 - LED SYSTEM</b><br>LTG1 - Standard |
| <b>6 - FINISH</b><br>BLK - Black (Standard)<br>W - White<br>CC* - Custom Color (provide RAL#) | <b>7 - BEAM SPREAD</b><br>SP - 15° Beam; 3271 CBCP<br>FL - 38° Beam Spread; 986 CBCP<br>WFL - 60° Beam Spread; 328 CBCP | <b>8 - PENDANT STEM</b><br>12"<br>18"<br>24"        | <b>9 - OPTIONAL ACCESSORIES</b><br>HEX - Hex Louver   |  |

\*Additional lead time

DATE \_\_\_\_\_ PROJECT \_\_\_\_\_ FIRM \_\_\_\_\_ TYPE \_\_\_\_\_



Pendant-style, adjustable accent module for MAGNETO track system. Available fixed or adjustable. Connects to Magneto low voltage track to provide accent lighting.

### FEATURES

- Magnetically Held Fixture Designed to Be Easily Repositioned in Magneto Track On Site
- Three Beam Spreads Available
- CRI 90+ Standard; R9>50
- Glare Control Accessory Available
- Module is Dimmable Using a 0-10V Control Wired to the Magneto Track
- 2700K, 3000K, 3500K & 4000K Color Temperatures Available

**APPLICATIONS** Commercial Interiors, Galleries, Retail, Museums, Reception Areas, Hotels, Restaurants

**CONSTRUCTION** Extruded and Cast Aluminum Components | **OPTICS** Field Changeable Optic; Beam Angle of 15°, 24°, and 60° Available.

**WARRANTY** 5 Year Limited Warranty (Covers Standard Components) | **FINISH** Powder-Coated Black Standard. Optional White Powder-Coated Finish. Custom RAL Colors Available



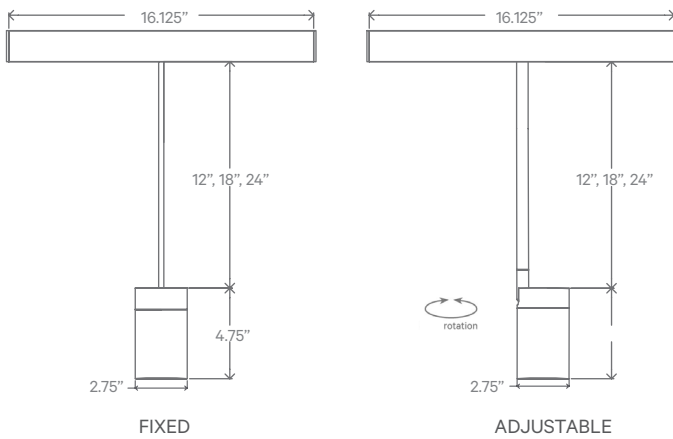
### DRIVERS

For Wiring Diagrams  
Click [Here](#)



**ELECTRICAL** Powered by Magneto Track System. 0-10V Dimmable. 'Flip' Fixture in Track to Select Circuit

### EXTRUSION DIMENSIONS



### LED SYSTEM INFORMATION

	Nominal System Watts	Nominal Delivered Lumens
LRG	14 W	670 lm

\*Based on 'WFL' option in 3500K

### BEAM SPREAD INFORMATION

	SP	FL	WFL
CBCP	2520	1641	904

### ORDERING



#### 1 - FIXTURE ID

MAG - PEND

#### 2 - SIZE

LRG

#### 3 - STYLE

FIX - Fixed  
ADJ - Adjustable

#### 4 - COLOR TEMP

27 - 2700K/90 CRI  
30 - 3000K/90 CRI  
35 - 3500K/90 CRI  
40 - 4000K/90 CRI

#### 5 - LED SYSTEM

LTG1 - Standard

#### 6 - FINISH

BLK - Black (Standard)  
W - White  
CC\* - Custom Color  
(provide RAL#)

#### 7 - BEAM SPREAD

SP - 15° Beam; 2520 CBCP  
FL - 24° Beam Spread; 1641 CPCP  
WFL - 60° Beam Spread; 904 CBCP

#### 8 - PENDANT STEM

12"  
18"  
24"

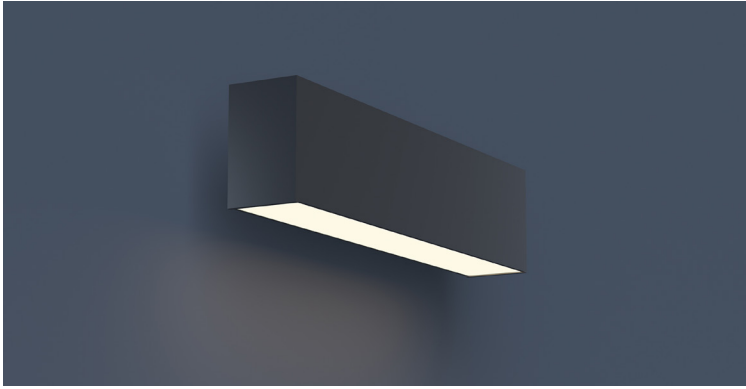
#### 9 - OPTIONAL ACCESSORIES

HEX - Hex Louver

\*Additional lead time



DATE \_\_\_\_\_ PROJECT \_\_\_\_\_ FIRM \_\_\_\_\_ TYPE \_\_\_\_\_



### FEATURES

- Magnetically Held Fixture Designed to Be Easily Repositioned in Magneto Track On Site
- Available in Lengths Up To 8' (6" Increments)
- CRI 90+ Standard; R9>50
- 5 Year, 50,000 Hour Fixture Warranty
- 2700K, 3000K, 3500K & 4000K Color Temperatures Available
- 0-10V Dimmable

**APPLICATIONS** Commercial Interiors, Galleries, Retail, Museums, Reception Areas, Hotels, Restaurants

**FINISH** Powder-Coated Black Standard. Optional White Powder-Coated Finish. Custom RAL Colors Available

**CONSTRUCTION** Extruded and Cast Aluminum Components

**OPTICS** Specially Formulated Ribbed Lens for Wall Washing Effect with Minimal LED Imaging.



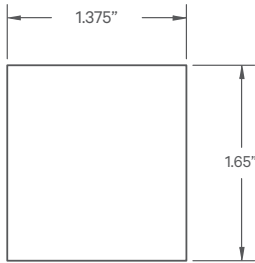
### DRIVERS

For Wiring Diagrams [Click Here](#)



**ELECTRICAL** Powered by Magneto Track System. 0-10V Dimmable. 'Flip' Fixture in Track to Select Circuit

### EXTRUSION DIMENSIONS

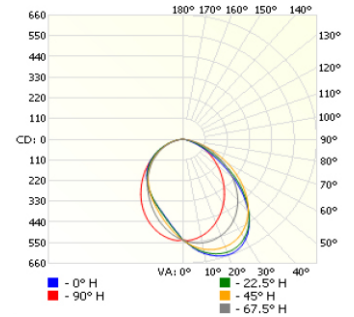


### LED SYSTEM INFORMATION

	Nominal System Watts	Nominal Delivered Lumens
Standard (LTG1)	8 W/ft	330 lm/ft
Low (LTG2)	4.5 W/ft	185 lm/ft
High (LTG3)	13 W/ft	435 lm/ft

NOTE: Based on a 90CRI, 3500K luminaire

### CANDELA



### ORDERING



#### 1 - FIXTURE ID

MAG - WW

#### 2 - LENGTH (Nominal)

- 1' - 1 ft
- 2' - 2 ft
- 3' - 3 ft
- 4' - 4 ft
- 6' - 6 ft
- 8' - 8 ft
- X' - Specify Length  
(Maximum Length 8ft, Specify to the Nearest 6")

#### 3 - COLOR TEMP

- 27 - 2700K/90 CRI
- 30 - 3000K/90 CRI
- 35 - 3500K/90 CRI
- 40 - 4000K/90 CRI

#### 4 - LED SYSTEM

- LTG1 - Standard
- LTG2 - Low
- LTG3 - High

#### 5 - FINISH

- BLK - Black (Standard)
- W - White
- CC - Custom Color  
(provide RAL#)

#### 6 - EMERGENCY

- EM 120V - Emergency Pack
- EM 277V - Emergency Pack
- EMCKT - Emergency Circuit

\*NOTE: EM sections are fixed in position at the factory by code and must be marked on submittal drawings. EM not available with Black Optic.