

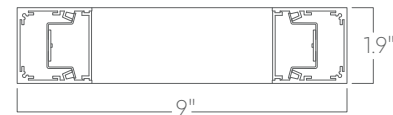


Our Performance Decorative luminaires offer a variety of decorative forms and sizes, suitable for any modern space.

## Features

- Power Over Wire system eliminates power cord
- Rectangular pattern with inner illumination
- Extruded recycled aluminum
- Specifiable color temperature. CRI > 90, R9 > 50
- Specifiable dimmable drivers or PoE
- Custom colors and wood finishes available
- 5 Year, 50,000 hour warranty, damp location rated
- WELL Building Standard compatible [learn more](#)

## Dimensions

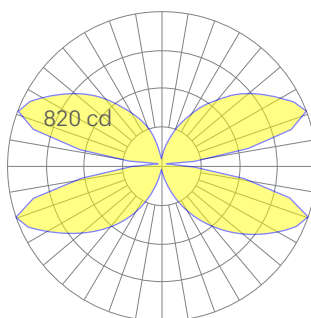


cross section

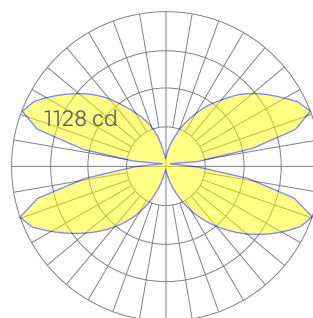


side view

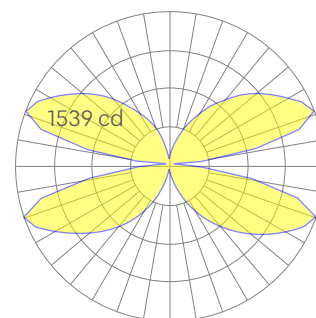
## Optics



low



medium



high

Representative distribution and peak candela. For other options see order information or IES files [here](#).

## Ordering Information

For each option group below specify one option. If you don't see your preferred option listed, contact us for [help](#).

1	Fixture ID	2	Size	3	Color Temperature	4	Output
	<b>Ma</b>		4' x 9" 6' x 9" 8' x 9" 12' x 9"		<b>27</b> 2700K/90 CRI <b>30</b> 3000K/90 CRI <b>35</b> 3500K/90 CRI <b>40</b> 4000K/90 CRI <b>50</b> 5000K/90 CRI <b>WD</b> Warm Dim 2200K-3000K Must use WD10 driver. <b>TW</b> Tunable White 2700K-6500K Must use TW10 driver.		<b>LOW</b> Low output <b>MED</b> Medium output <b>HIGH</b> High output <b>CUST</b> Custom output Specify watts or lumens
5	Voltage	6	Driver	7	Finish	8	Mounting
	<b>UNV</b> Universal (120/277V) <b>347V</b> 347V Available for DB driver only		<b>DB</b> Standard 0-10V 1% <b>DB.1%</b> 0-10V 0.1% <b>ELV</b> Reverse Phase 1% (120V only) For compatible dimmers, click <a href="#">here</a> . <b>TRI</b> Forward phase (120V only) For compatible dimmers, click <a href="#">here</a> . <b>LDE1</b> Lutron Digital EcoSystem <b>DALI</b> DALI-2 Driver <b>PoE</b> Power over ethernet. <b>TW10</b> Dual channel, 0-10V for tunable white. <b>WD10</b> 0-10V Warm Dim		<b>W</b> White <b>BLK</b> Black <b>SLV</b> Silver <b>CC</b> Custom Color See finish options <a href="#">here</a> . <b>CWF</b> Custom Wood Finish See finish options <a href="#">here</a> .		<b>ACP-CENT</b> Power over aircraft cable Single canopy at the center. White canopy provided unless otherwise specified in section 12. <b>ACP-MULTI</b> Power over aircraft cable Individual suspension points. White canopies provided unless otherwise specified in section 12.
			All drivers are remote.				
9	Optics	10	Sensors/Controls	11	Circuit	12	Options
	<b>SD</b> Standard Diffuser		<b>NA</b> None <b>EIS</b> Enlighted sensor <b>WISM</b> Wattstopper Occupancy <b>WISD</b> Wattstopper Daylight <b>ACM</b> Acuity nLight® module only <b>ACS</b> Acuity nLight® (nES 7) <b>ACA</b> Acuity nLight® AIR (rES 7) <b>CCS</b> Casambi module <b>AWNRR</b> Lutron Athena Wireless Node module <b>AWNS</b> Lutron Athena Wireless Sensor module <b>OTHER</b> Consult factory		<b>NA</b> None <b>EMPCK</b> Emergency battery pack <b>EMCKT</b> Emergency circuit May require additional power feeds. <b>DAYCKT</b> Daylight circuit May require additional power feeds.		<b>STD</b> White canopy + white cord <b>CAN-X</b> Canopy + color See finish options <a href="#">here</a> . <b>SJ-BLK</b> Black cord <b>SJ-WHT</b> White cord

## Performance

Output <sup>1</sup>	Watts	Lumens
Low	48	3840
Medium	68	5286
High	96	7210

<sup>1</sup>Based on a 4ft x 9in fixture, 90 CRI, 3500K luminaire using one driver.  
Custom outputs available. Please consult factory.  
For 4000K multiply by 1.05, for 3000K, 0.9%, for 2700K, 0.92.

## Technical Information



click [here](#) or  
scan QR code

Wiring diagrams, PoE and sensor details

### Drivers & Electrical

Our Power Over Wire system delivers power to the luminaire via suspension cables, eliminating a separate power feed. Drivers are housed in luminaire canopy or in factory supplied remote enclosures<sup>1</sup>. All drivers are dimmable.

<sup>1</sup>See order information for more details. For remote driver box sizes, click [here](#).

### Emergency Back-Up

Emergency battery-powered drivers are available. Emergency circuits for use with building generators are also available.

### PoE (Power over Ethernet)

Compatible with virtually all PoE systems including Molex Coresync, Igor, Smartengine, Platformatics, and NuLED SPICEbox.

Consult factory for systems not listed. See [here](#) for more info.

### Weight

4ft x 9in = 7lbs

6ft x 9in = 10.5lbs

8ft x 9in = 14lbs

12ft x 9in = 17.5lbs

### Optics

Extruded satin acrylic lenses provide excellent diffusion, high transmission, and no LED imaging.

### Construction

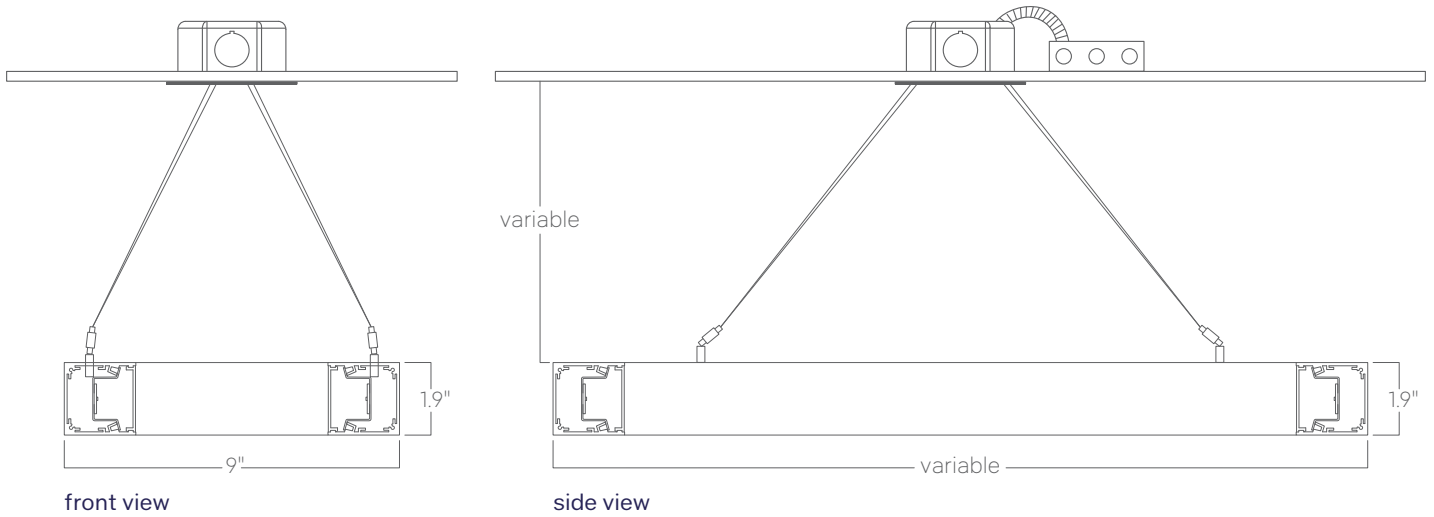
Welded, extruded recycled aluminum.

### Finishes

All luminaires are finished in high quality polyester powder coating. Our standard color is white. Any RAL color may be specified.

**Mounting Options**

**Power over aircraft cable**



**Power over aircraft cable (individual susp. points)**

