

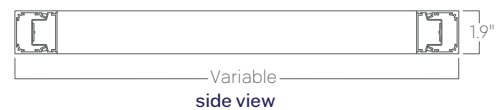
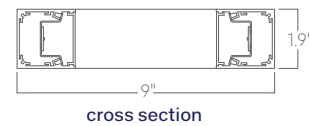


Our Performance Decorative luminaires offer a variety of decorative forms and sizes suitable for any modern space.

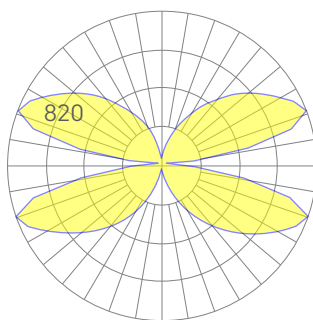
### Features

- Power Over Wire system eliminates power cord
- Rectangular pattern with inner illumination
- Extruded recycled aluminum
- Specifiable color temperature. CRI > 90, R9 >50
- Specifiable dimmable drivers or PoE
- Custom colors and wood finishes finishes available
- 5 Year, 50,000 hour warranty, damp location rated
- WELL Building Standard compatible [learn more](#)

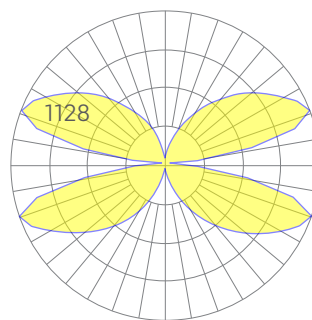
### Dimensions



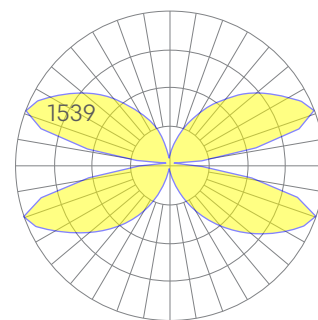
### Optics



low



medium



high

Representative distribution and peak candela. For other options see order information or IES files [here](#).

**Ordering Information**



Example: Ma - X - 35 - MED - UNV - DB - W - ACP - SD - CCS - DAYCKT - NA

<b>Fixture ID</b> <input type="text" value="1"/>	<b>Size</b> <input type="text" value="2"/>	<b>Color Temperature</b> <input type="text" value="3"/>	<b>Output</b> <input type="text" value="4"/>
Ma	4' x 9" 6' x 9" 8' x 9" 12' x 9"  Consult factory for custom sizes.	27 2700K/90 CRI 30 3000K/90 CRI 35 3500K/90 CRI 40 4000K/90 CRI 50 5000K/90 CRI  WD <sup>1</sup> Warm Dim 2200K-3000K TW <sup>2</sup> Tunable White 2700K-6500K  <sup>1</sup> Must use WD10 driver. <sup>2</sup> Must use TW10 or PSQdriver.	<b>LOW</b> Low output <b>MED</b> Medium output <b>HIGH</b> High output <b>CUST</b> Custom output <sup>1</sup>  <sup>1</sup> consult factory
<b>Voltage</b> <input type="text" value="5"/>	<b>Driver</b> <input type="text" value="6"/>	<b>Finish</b> <input type="text" value="7"/>	<b>Mounting</b> <input type="text" value="8"/>
UNV Universal (120/277V) 347V <sup>1</sup> 347V	DB Standard 0-10V 1% DB.1% 0-10V 0.1% ELV <sup>2</sup> Reverse Phase 1% (120V only) TRI <sup>2</sup> Forward phase (120V only) LDE1 Lutron Digital EcoSystem DALI DALI-2 Driver PoE Power over ethernet. TW10 Dual channel, 0-10V for tunable white.  WD10 0-10V Warm Dim PSQ Lutron T-Series 2-channel 1% for tunable white  All drivers are remote. <sup>1</sup> Set to default address 001. RDM capable. Contact us for other addressing needs. All DMX drivers provided in remote enclosures. <sup>2</sup> For compatible dimmers, click here.	W White BLK Black CC <sup>1</sup> Custom Color CWF <sup>1</sup> Custom Wood Finish  <sup>1</sup> Custom Color. See finish options here. White SJ cord and canopy provided; for other requests, see section 12 to specify.	ACP Power Over Aircraft Cable  White canopy provided. Must specify other requests.
<b>Optics</b> <input type="text" value="9"/>	<b>Sensors/Controls</b> <input type="text" value="10"/>	<b>Circuit</b> <input type="text" value="11"/>	<b>Options</b> <input type="text" value="12"/>
SD Standard Diffuser	NA None EIS Enlightened sensor WISM Wattstopper occupancy sensor WISD Wattstopper daylight sensor  ACM Acuity nLight module only ACS Acuity nLight sensor CCS Casambi module AWNLR Lutron Athena Wireless Node Module  Consult factory for other options.	NA None EMPCK Emergency Battery Pack EMCKT Emergency Circuit DAYCKT Daylight Circuit	STD White Canopy + White Cord CAN-X <sup>1</sup> Canopy + color SJ-X <sup>2</sup> SJ Cord + color  <sup>1</sup> See finish options here. <sup>2</sup> SJ Cord only available in White or Black.

**Performance**

Output <sup>1</sup>	Watts	Lumens
Low	48	3840
Medium	68	5286
High	96	7210

<sup>1</sup>Based on a 4ft x 9in fixture, 90 CRI, 3500K luminaire using one driver.

Custom outputs available. Please consult factory.  
For 4000K multiply by 1.05; for 3000K 0.9%; for 2700K 0.92.

**Technical Information**



click [here](#) or scan QR code

Wiring diagrams, PoE and sensor details

Modification date: November 2022

**Drivers & Electrical**

Our Power Over Wire system delivers power to the luminaire via suspension cables, eliminating a separate power feed. Drivers are housed in the luminaire canopy or in factory supplied remote enclosures<sup>1</sup>. All drivers are dimmable.

<sup>1</sup>See order information for more details.

**Emergency Back-Up**

Emergency, battery-powered drivers are available. Emergency circuits for use with building generators are also available.

**PoE (Power over Ethernet)**

Compatible with virtually all PoE systems including Moxel Coresync, Igor, Smartengine, Platformatics, and NuLED SPICEbox. Consult Factory for systems not listed, See [here](#) for more info.

**Weight**

- 4ft x 9in = 7 lbs
- 6ft x 9in = 10.5 lbs
- 8ft x 9in = 14 lbs
- 12ft x 9in = 17.5 lbs

**Mounting Options**

**Optics**

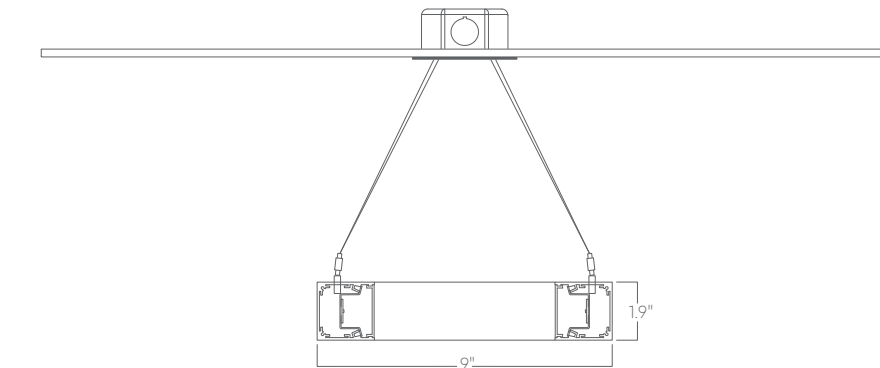
Extruded satin acrylic lenses provide excellent diffusion, high transmission, and no LED imaging.

**Construction**

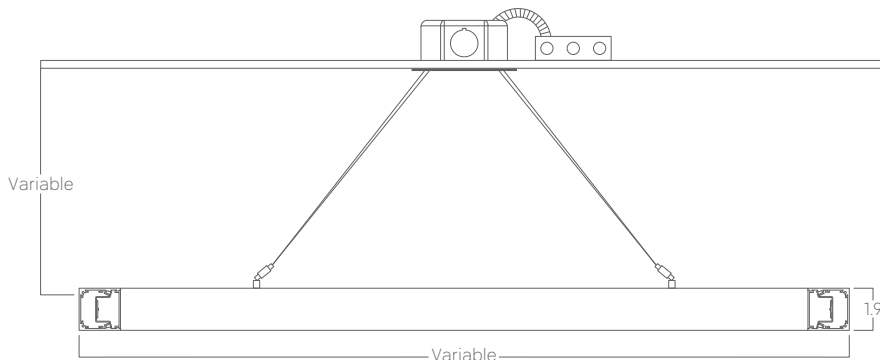
Welded, extruded, recycled aluminum.

**Finishes**

All luminaires are finished in high quality polyester powder coating. Our standard color is white. Any RAL color may be specified.



**Power over aircraft cable**  
front view



**Power over aircraft cable**  
side view