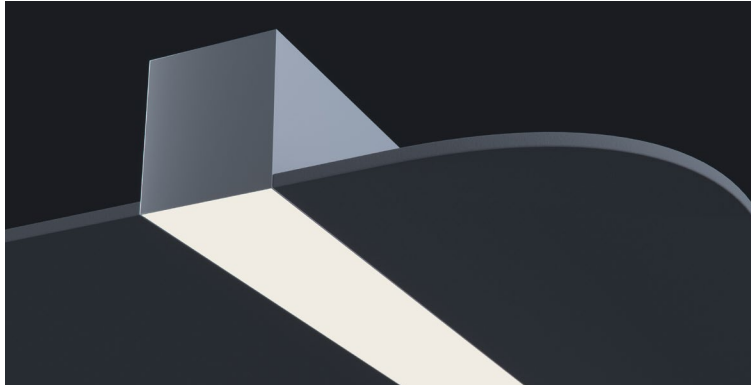


DATE _____ PROJECT _____ FIRM _____ TYPE _____



FEATURES

- Available In Made To Measure Lengths Accurate Up To 1/16"
- Patterns Available (See Page 3)
- Damp Location Rated
- CRI 90+ Standard; R9>50
- 5 Year, 50,000 Hour Fixture Warranty
- 2700K, 3000K, 3500K, 4000K & 5000K Color Temperatures Available
- Available with PoE- [See More](#)

APPLICATIONS Classrooms, Offices, Lobbies, Retail Stores, Reception Areas, & Corridors

FINISH Standard Powder-Coated White. Custom RAL Colors Available

CONSTRUCTION Extruded Aluminum Housing with Steel End Caps. Formed Steel Gear Tray

OPTICS Extruded High Transmission Satiation Acrylic Lens with NO LED Imaging

FIXTURE RATINGS & CERTIFICATIONS Union Made Made In The USA DLC Listed*
ETL Listed Damp Location



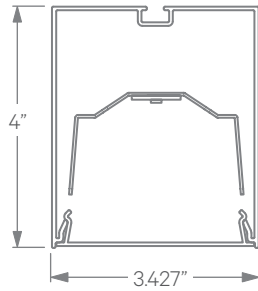
DRIVERS, SENSORS, & POE



For Wiring Diagrams, POE, and Sensor Information Click [Here](#)

ELECTRICAL Integral Driver with 0-10V Dimming Standard. Several Driver Options Available

EXTRUSION DIMENSIONS



LED SYSTEM INFORMATION

	Nominal System Watts	Nominal Delivered Lumens	Nominal Efficacy
Standard (LTG1)	7.25 W/ft	576 lm/ft	80 LPW
Low (LTG2)	5 W/ft	415 lm/ft	83 LPW
High (LTG3)	10 W/ft	770 lm/ft	77 LPW

Based on a 3500K luminaire using one driver. Custom outputs available; specify below.

ORDERING 1 2 3 4 5 6 7 8 9 10 11 12

1 - FIXTURE ID

LSR4 LED

2 - LENGTH

- 2 - 2 ft
- 4 - 4 ft
- 8 - 8 ft
- X'-X" - Specify Length
- PAT - Pattern (Consult Factory)

3 - COLOR TEMP

- 27 - 2700K/90 CRI
- 30 - 3000K/90 CRI
- 35 - 3500K/90 CRI
- 40 - 4000K/90 CRI
- 50 - 5000K/90 CRI
- WD* - Warm Dim 2200K-3000K
- TW** - Tunable White 2700K-6500K
- RGBW30*** - RGB + 3000K
- RGBW35*** - RGB + 3500K
- *Requires WD10 Driver
- **Requires DMX or TW10 Driver
- ***Requires DMX Driver

4 - LED SYSTEM

- LTG1 - Standard
- LTG2 - Low
- LTG3 - High
- LTGC - Custom Output

5 - VOLTAGE

- UNV - Universal (120/277V)
- 347V* - 347V
- *Must use DB Driver

6 - DRIVER

- DB - Standard 1% Dimming (0-10V)
- DB.1% - 0.1% Dimming (0-10V)
- ELV-TRI - 2-wire 1% Dimming (120V only) ELV and TRIAC Compatible
- LDE1 - Lutron Digital EcoSystem
- LDE5 - 5 Series EcoSystem; 5% Dimming
- DALI - DALI-2 Driver
- PoE - Power over Ethernet. Consult Factory for Compatibility
- DMX - For Color Tuning and RGBW (Remote)
- TW10 - Dual Channel, 0-10V For Color Tuning (CCT and Intensity Control)
- WD10 - 0-10V Driver For Warm Dimming

7 - FINISH

- W - White (Standard)
- CC - Custom Color (provide RAL#)

8 - MOUNTING

- T - 9/16" Tee Grid
- T15 - 15/16" Tee Grid
- TZ - Tech Zone
- SG - Slot Grid/Interlude
- F - Flange
- NT - Mud-in Flange
- PM-X* - Perimeter Mount
- *X' denotes mounting type on opposite side of wall (ie-PM-NT). Consult Factory

9 - OPTICS

- SD - Standard Diffuser
- WW - Wall Wash Reflector

10 - SENSORS & CONTROLS (OPTIONAL)

- EIS - Enlighted Sensor
- WISD - Wattstopper Daylight Sensor
- WISM - Wattstopper Occupancy Sensor
- ECS - Eaton WaveLinX Sensor
- ACM - Acuity nLight Module Only
- ACS - Acuity nLight Sensor
- CCS - Casambi Module
- TRI - Occupancy/Daylight Sensor

NOTE: For other control systems not listed consult factory.

11 - CIRCUIT (Optional)

- EM 120V - Emergency Pack
- EM 277V - Emergency Pack
- EMCKT - Emergency Circuit

12 - OTHER OPTIONS

- WH6 - 6ft Whips Preinstalled
- CP - Chicago Plenum

DATE

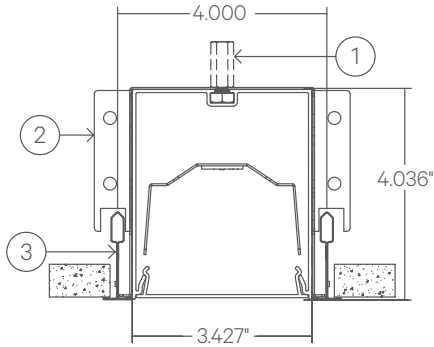
PROJECT

FIRM

TYPE

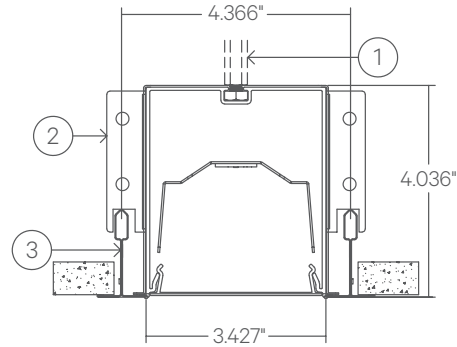
MOUNTING OPTIONS

T - 9/16" Tee Grid



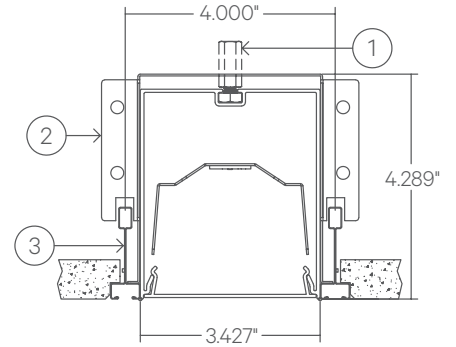
- 1 - Threaded Rod (not supplied)
- 2 - Tee Grid Bracket
- 3 - Tee Grid

T15 - 15/16" Tee Grid



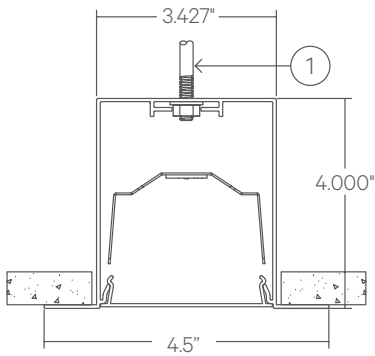
- 1 - Threaded Rod (not supplied)
- 2 - Tee Grid Bracket
- 3 - Tee Grid

SG - Slot Grid/Interlude



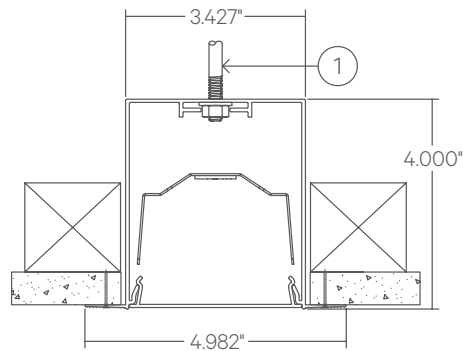
- 1 - Threaded Rod (not supplied)
- 2 - Slot Grid Bracket
- 3 - Slot Grid

F - Flange



- 1 - Threaded Rod (not supplied)

NT - No Trim/Spackle Flange



- 1 - Threaded Rod (not supplied)

DATE

PROJECT

FIRM

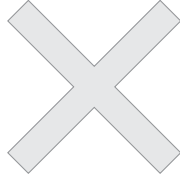
TYPE

PATTERNS

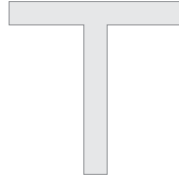
Patterns feature illuminated corners and angles. **Must consult factory for custom corners and patterns.**



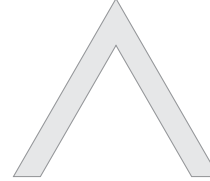
Square Patterns



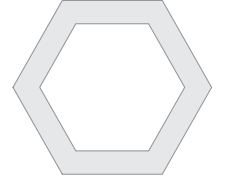
X Patterns



T Patterns

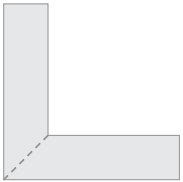


Custom Angles



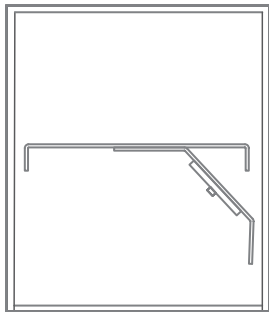
Custom Patterns

LENS CUT



Mitered

WALL WASH REFLECTOR



Cross Section

DATE

PROJECT

FIRM

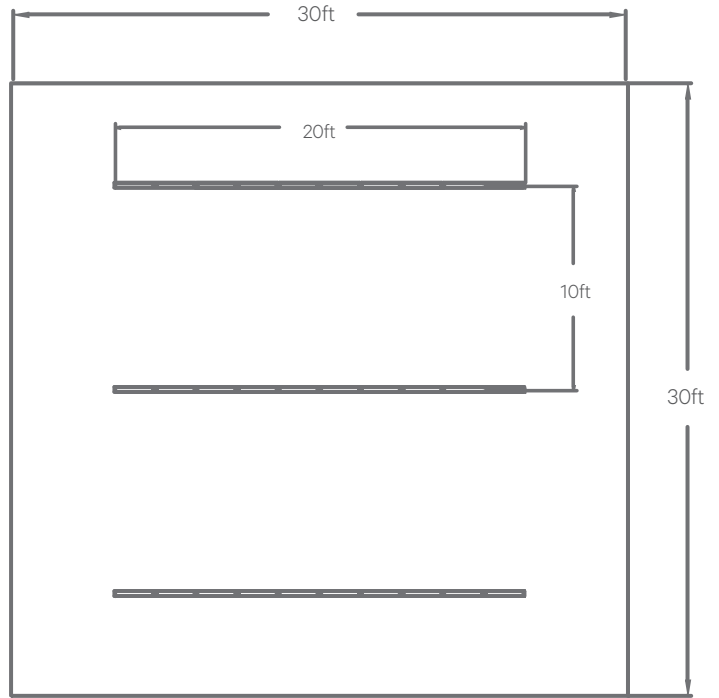
TYPE

Sample Fixture Layout:

Classroom Size: 30ft x 30ft
 Ceiling Height: 9.5ft AFF
 Mounting Height: 8ft AFF
 Reflectances: 80/50/20
 Luminaire: LSR4 EDU 4FT 3500K LTG1 DB
 Wattage: 7.25W/ft
 Lumen Output: 605lm/ft

Target Levels:

Avg. Foot Candles: 35-50fc
 Unified Glare Rating: <19



Calculations:

23	22	22	21	20	20	19	19	17	15	10	10	10	10
24	23	23	23	22	22	21	21	19	17	10	10	10	10
24	23	23	23	22	22	21	21	19	17	10	10	10	10
24	24	23	23	23	22	21	20	18	10	10	10	10	10
24	24	23	23	23	22	21	19	17	10	10	10	10	10
24	24	24	23	23	22	21	19	17	10	10	10	10	10
24	24	24	24	23	23	22	21	19	17	10	10	10	10
24	24	23	23	23	22	21	20	18	10	10	10	10	10
24	24	24	24	23	23	22	21	19	17	10	10	10	10
24	24	24	24	23	23	22	21	19	17	10	10	10	10
24	24	23	23	23	22	21	19	17	10	10	10	10	10
24	24	23	23	23	22	21	19	17	10	10	10	10	10
24	24	23	23	23	22	21	19	17	10	10	10	10	10
24	23	23	23	22	22	21	19	17	10	10	10	10	10
23	22	22	21	20	20	19	19	17	15	10	10	10	10

UGR: 15.97

10.8	14.6	19.8	25.1	29.0	31.4	32.7	33.0	32.7	31.4	29.0	25.0	19.8	14.6	10.8
13.0	18.4	26.6	34.8	40.5	43.6	45.2	45.6	45.2	43.6	40.4	34.7	26.5	18.4	13.0
14.5	21.0	31.2	41.4	48.4	52.1	53.9	54.3	53.8	52.1	48.3	41.4	31.1	21.0	14.5
14.7	20.4	29.2	38.0	44.3	47.8	49.6	50.0	49.5	47.8	44.2	38.0	29.1	20.4	14.7
14.4	19.1	25.7	32.5	37.7	40.9	42.5	43.0	42.5	40.9	37.6	32.4	25.7	19.1	14.4
14.7	19.3	26.0	32.8	38.0	41.4	43.0	43.5	43.0	41.4	37.9	32.7	26.0	19.3	14.7
15.5	21.3	30.0	38.9	45.5	49.6	51.3	51.8	51.1	49.6	45.4	38.7	30.0	21.3	15.5
16.0	22.6	33.0	43.4	51.0	55.3	57.1	57.6	57.0	55.3	51.0	43.3	32.8	22.6	16.0
15.5	21.3	30.0	38.9	45.5	49.6	51.1	51.8	51.1	49.6	45.4	38.7	29.9	21.3	15.5
14.7	19.3	26.0	32.8	38.0	41.3	43.0	43.5	42.9	41.3	37.9	32.6	25.9	19.3	14.7
14.4	19.1	25.7	32.5	37.6	40.8	42.4	42.9	42.4	40.7	37.5	32.4	25.7	19.1	14.4
14.7	20.4	29.2	38.0	44.2	47.7	49.4	49.9	49.4	47.6	44.1	37.9	29.1	20.4	14.7
14.5	21.0	31.2	41.3	48.4	52.1	53.8	54.3	53.8	52.0	48.3	41.4	31.1	21.0	14.5
13.0	18.4	26.6	34.8	40.5	43.7	45.2	45.7	45.2	43.6	40.4	34.7	26.5	18.4	13.0
10.8	14.6	19.8	25.1	29.0	31.4	32.6	33.0	32.6	31.3	29.0	25.0	19.8	14.6	10.8

AVG FC: 37.24