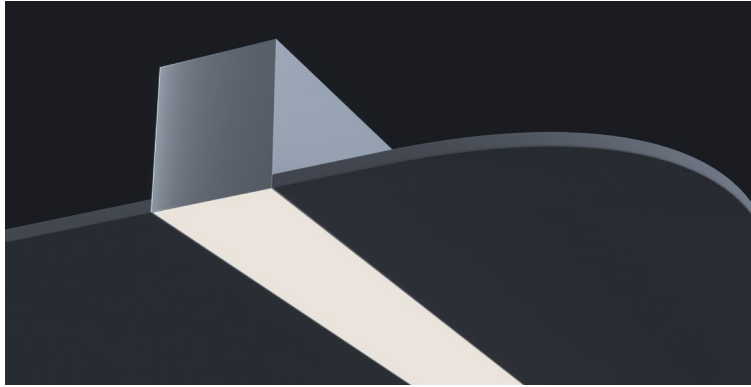


DATE _____ PROJECT _____ FIRM _____ TYPE _____



FEATURES

- Available In Made To Measure Lengths Accurate Up To 1/16"
- Patterns Available (See Page 3)
- Damp Location Rated
- CRI 90+ Standard; R9>50
- 5 Year, 50,000 Hour Fixture Warranty
- 2700K, 3000K, 3500K, 4000K & 5000K Color Temperatures Available
- Available with PoE- [See More](#)

APPLICATIONS Classrooms, Offices, Lobbies, Retail Stores, Reception Areas, & Corridors

FINISH Standard Powder-Coated White. Custom RAL Colors Available

CONSTRUCTION Extruded Aluminum Housing with Steel End Caps. Formed Steel Gear Tray

OPTICS Regressed, Extruded High Transmission Satin Acrylic Lens with No LED Imaging

FIXTURE RATINGS & CERTIFICATIONS Union Made Made In The USA DLC Listed*
ETL Listed Damp Location *Not all outputs listed, consult factory



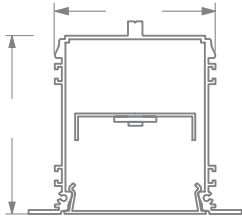
DRIVERS, SENSORS, & POE

For Wiring Diagrams, POE, and Sensor Information Click [Here](#)

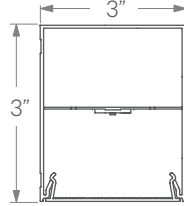


ELECTRICAL Integral Driver with 0-10V Dimming Standard. Several Driver Options Available

EXTRUSION DIMENSIONS



FLANGE/MUD-IN FLANGE



GRID/SLOT GRID

LED SYSTEM INFORMATION

	Nominal System Watts	Nominal Delivered Lumens	Nominal Efficacy
Standard (LTG1)	7.25 W/ft	563 lm/ft	80 LPW
Low (LTG2)	5 W/ft	405 lm/ft	81 LPW
High (LTG3)	10 W/ft	769 lm/ft	77 LPW

Based on a 3500K luminaire using one driver. Custom outputs available; specify below.

ORDERING



1 - FIXTURE ID

LSR3 LED

2 - LENGTH

2 - 2 ft
4 - 4 ft
8 - 8 ft
X'-X" - Specify Length
PAT - Pattern
(Consult Factory)

3 - COLOR TEMP

27 - 2700K/90 CRI
30 - 3000K/90 CRI
35 - 3500K/90 CRI
40 - 4000K/90 CRI
50 - 5000K/90 CRI
WD* - Warm Dim
2200K-3000K
TW** - Tunable White
2700K-6500K
RGBW30*** - RGB + 3000K
RGBW35*** - RGB + 3500K
*Requires WD10 Driver
**Requires DMX or TW10 Driver
***Requires DMX Driver

4 - LED SYSTEM

LTG1 - Standard
LTG2 - Low
LTG3 - High
LTGC - Custom Output

5 - VOLTAGE

UNV - Universal
(120/277V)
347V* - 347V
*Must use DB Driver

6 - DRIVER

DB - Standard 1% Dimming (0-10V)
DB.1% - 0.1% Dimming (0-10V)
ELV-TRI - 2-wire 1% Dimming (120V only)
ELV and TRIAC Compatible
LDE1 - Lutron Digital EcoSystem
LDE5 - 5 Series EcoSystem; 5% Dimming
DALI - DALI-2 Driver
JA8 - JA8 Compliant 1% Dimming (0-10V)
PoE - Power over Ethernet. Consult Factory for Compatibility
DMX - For Color Tuning and RGBW (Remote)
TW10 - Dual Channel, 0-10V For Color Tuning (CCT and Intensity Control)
WD10 - 0-10V Driver For Warm Dimming

7 - FINISH

W - White (Standard)
CC - Custom Color
(provide RAL#)

8 - MOUNTING

T - 9/16" Tee Grid
T15 - 15/16" Tee Grid
SG - Slot Grid/Interlude
F - Flange
NT - Mud-in Flange
PM-X* - Perimeter Mount
*X' denotes mounting type on opposite side of wall (ie-PM-NT). Consult Factory

9 - OPTICS

SD - Standard Diffuser
POL - 1" Drop Below Pop Out Lens
ASYM - Asymmetric Optic
WW - Wall Wash Reflector

10 - SENSORS & CONTROLS (OPTIONAL)

EIS - Enlighted Sensor
WISD - Wattstopper Daylight Sensor
WISM - Wattstopper Occupancy Sensor
ECS - Eaton WaveLinx Sensor
ACM - Acuity nLight Module Only
ACS - Acuity nLight Sensor
CCS - Casambi Module
TRI - Occupancy/Daylight Sensor

11 - CIRCUIT (Optional)

EM 120V - Emergency Pack
EM 277V - Emergency Pack
EMCKT - Emergency Circuit

12 - OTHER OPTIONS

WH6 - 6ft Whips Preinstalled
CP - Chicago Plenum

NOTE: For other control systems not listed consult factory.

Updated: 10/15/2020

DATE

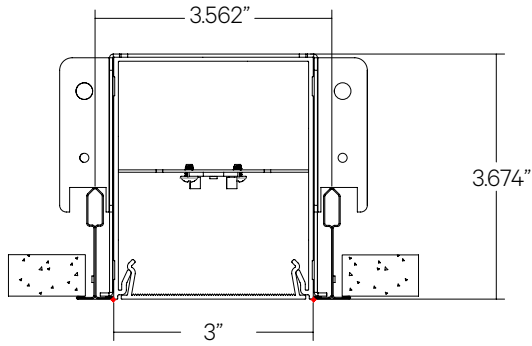
PROJECT

FIRM

TYPE

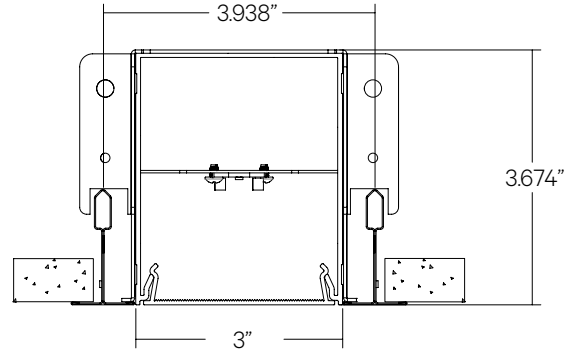
MOUNTING OPTIONS

T - 9/16" Tee Grid



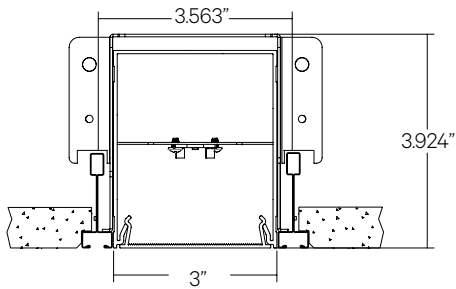
- 1 - Threaded Rod (not supplied)
- 2 - Tee Grid Bracket
- 3 - Tee Grid

T15 - 15/16" Tee Grid



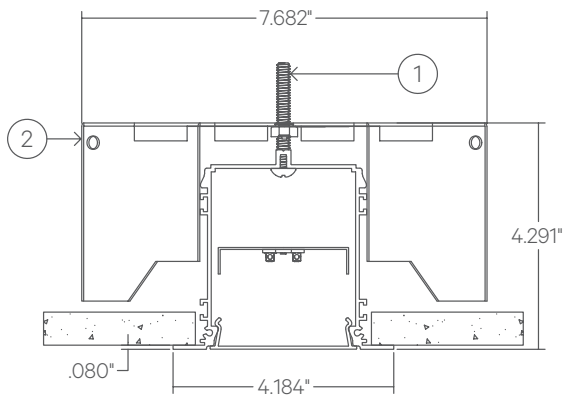
- 1 - Threaded Rod (not supplied)
- 2 - Tee Grid Bracket
- 3 - Tee Grid

SG - Slot Grid/Interlude



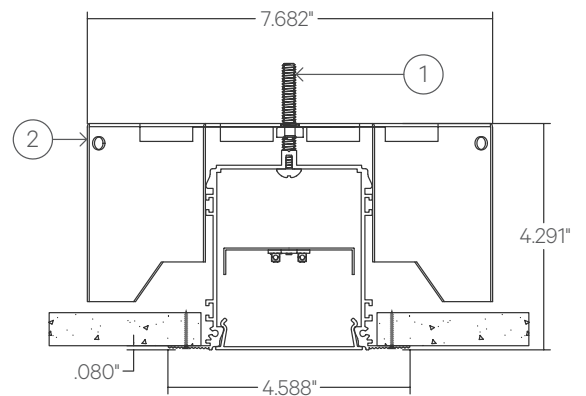
- 1 - Threaded Rod (not supplied)
- 2 - Slot Grid Bracket
- 3 - Slot Grid

F - Flange



- 1 - Threaded Rod (not supplied)
- 2 - Bracket

NT - Mud-In Flange



- 1 - Threaded Rod (not supplied)
- 2 - Bracket

Updated: 10/15/2020

DATE

PROJECT

FIRM

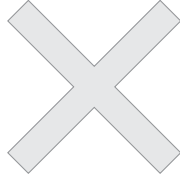
TYPE

PATTERNS

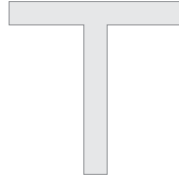
Patterns feature illuminated corners and angles. **Must consult factory for custom corners and patterns.**



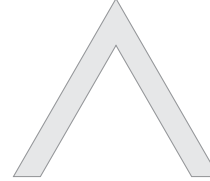
Square Patterns



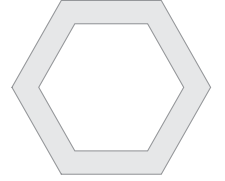
X Patterns



T Patterns

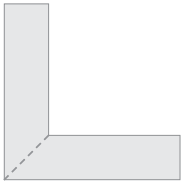


Custom Angles



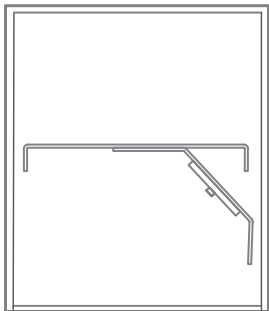
Custom Patterns

LENS CUT



Mitered

WALL WASH REFLECTOR



Cross Section

DATE

PROJECT

FIRM

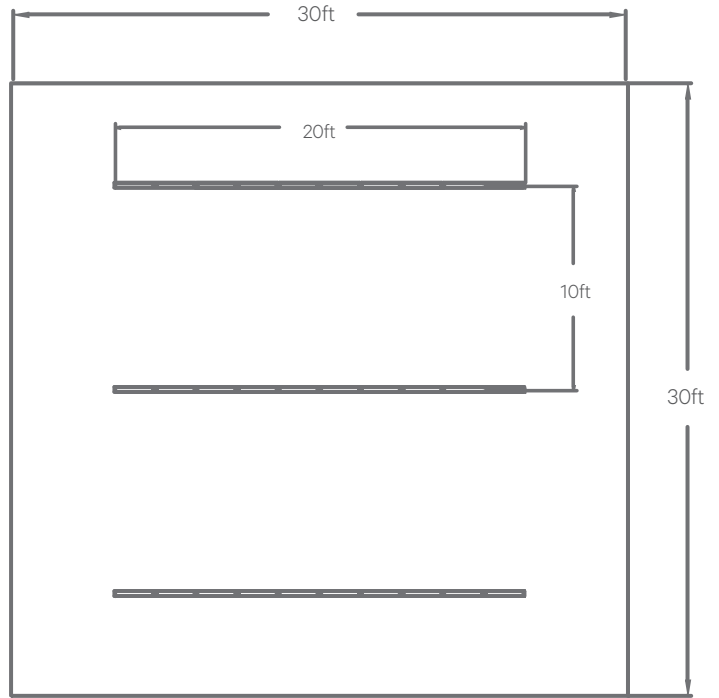
TYPE

Sample Fixture Layout:

Classroom Size: 30ft x 30ft
 Ceiling Height: 9.5ft AFF
 Mounting Height: 8ft AFF
 Reflectances: 80/50/20
 Luminaire: LSR3 EDU 4FT 3500K LTG1 DB
 Wattage: 7.25W/ft
 Lumen Output: 610lm/ft

Target Levels:

Avg. Foot Candles: 35-50fc
 Unified Glare Rating: <19



Calculations:

23	23	22	21	21	20	20	19	17	15	10	10	10	10	10
24	24	23	23	22	22	21	21	19	18	10	10	10	10	10
24	24	23	23	22	22	21	20	18	10	10	10	10	10	10
24	24	24	23	23	22	22	20	18	10	10	10	10	10	10
24	24	24	23	23	22	21	19	17	10	10	10	10	10	10
24	24	24	23	23	22	21	19	17	10	10	10	10	10	10
25	25	24	23	23	22	22	20	18	10	10	10	10	10	10
24	24	24	23	23	22	22	20	18	10	10	10	10	10	10
25	25	24	24	23	23	22	22	20	18	10	10	10	10	10
24	24	24	24	23	23	22	21	19	17	10	10	10	10	10
24	24	24	23	23	22	22	20	18	10	10	10	10	10	10
24	24	24	24	23	23	22	22	20	18	10	10	10	10	10
24	24	23	23	22	22	21	19	17	10	10	10	10	10	10
24	24	23	23	22	22	21	19	18	10	10	10	10	10	10
23	23	22	21	21	20	20	19	17	15	10	10	10	10	10

UGR: 14.1

10.4	14.2	19.3	24.4	28.3	30.6	31.8	32.1	31.8	30.6	28.2	24.4	19.3	14.2	10.4
12.6	17.9	26.0	34.2	39.8	42.9	44.4	44.9	44.4	42.9	39.7	34.1	26.0	17.9	12.6
14.1	20.5	30.7	41.0	47.8	51.5	53.2	53.7	53.2	51.4	47.7	40.9	30.6	20.5	14.1
14.3	19.9	28.6	37.3	43.4	46.9	48.5	49.0	48.5	46.8	43.3	37.2	28.5	19.9	14.3
14.0	18.5	25.0	31.7	36.7	39.8	41.4	41.9	41.3	39.7	36.6	31.5	25.0	18.5	14.0
14.2	18.8	25.3	31.9	37.0	40.3	41.8	42.4	41.8	40.3	36.9	31.8	25.2	18.8	14.2
15.0	20.7	29.4	38.1	44.7	48.8	50.2	50.7	50.2	48.6	44.6	38.0	29.2	20.7	15.0
15.5	22.1	32.4	42.7	50.3	54.7	56.3	56.9	56.3	54.7	50.1	42.6	32.3	22.1	15.5
15.0	20.7	29.4	38.1	44.7	48.8	50.2	50.7	50.2	48.6	44.6	38.0	29.2	20.7	15.0
14.2	18.8	25.3	31.9	37.0	40.3	41.8	42.4	41.8	40.3	36.9	31.8	25.2	18.8	14.2
14.0	18.5	25.0	31.7	36.7	39.8	41.4	41.9	41.4	39.7	36.6	31.5	25.0	18.5	14.0
14.3	19.9	28.6	37.4	43.4	46.9	48.5	49.0	48.5	46.8	43.3	37.2	28.5	19.9	14.3
14.1	20.5	30.7	40.9	47.8	51.5	53.2	53.7	53.2	51.4	47.7	40.9	30.6	20.5	14.1
12.6	17.9	26.0	34.2	39.8	42.9	44.4	44.9	44.4	42.9	39.7	34.1	26.0	17.9	12.6
10.4	14.2	19.3	24.4	28.3	30.6	31.7	32.1	31.7	30.5	28.2	24.4	19.3	14.2	10.4

AVG FC: 35