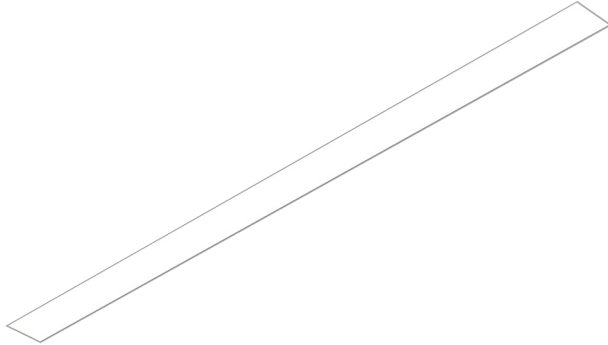


# LSR3-EDU recessed

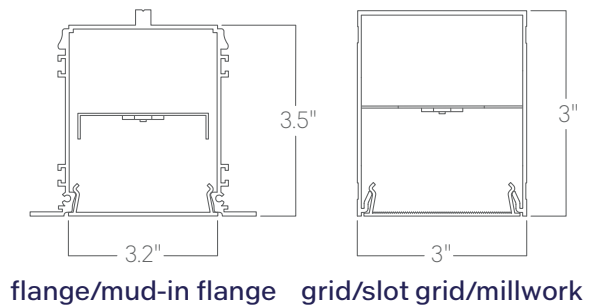


The LS Series of architectural luminaires offers a wide range of profiles and mounting options. Custom lengths and patterns are tailored to suit any modern space.

## Features

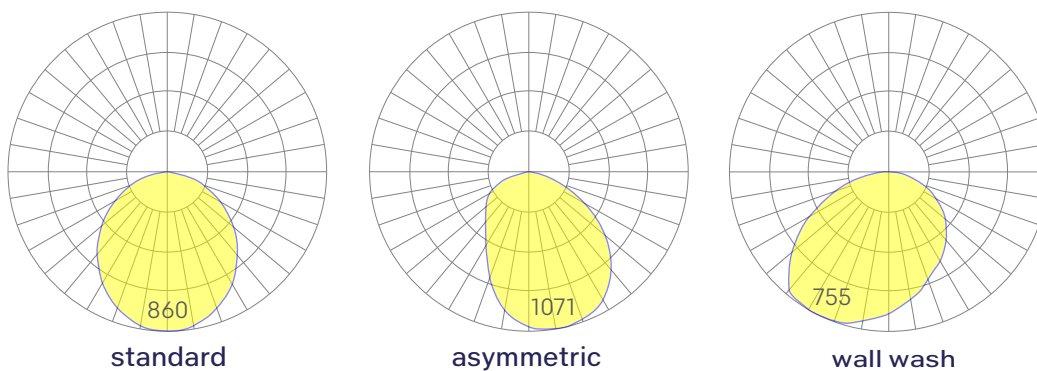
- Extruded recycled aluminum housing
- Aluminum core LED boards, specifiable optics
- Specifiable color temperature. CRI > 90, R9 >50
- Custom lengths, welded patterns, and finishes available
- Integral specifiable dimmable drivers or PoE
- 5 Year, 50,000 hour warranty
- WELL Building Standard compatible [learn more](#)

## Dimensions



flange/mud-in flange    grid/slot grid/millwork

## Optics



Representative distribution and peak candela. For other options see order information or IES files [here](#).

# LSR3-EDU recessed

## Ordering Information



Example: LSR3 - 8 - 35 - MED - UNV - DB - W - AC - SD - CCS - DAYCKT - NA

| Fixture ID   | Length   | Color Temperature   | Output   |
|--|--|---|--|
| LSR3   | <b>2</b> 2 ft<br><b>4</b> 4 ft<br><b>8</b> 8 ft<br><b>X'-X"</b> Specify Length <sup>1</sup><br><b>PAT</b> Pattern (Consult Factory)  | <b>27</b> 2700K/90 CRI<br><b>30</b> 3000K/90 CRI<br><b>35</b> 3500K/90 CRI<br><b>40</b> 4000K/90 CRI<br><b>50</b> 5000K/90 CRI<br><br><b>WD</b> <sup>1</sup> Warm Dim 2200K-3000K<br><b>TW</b> <sup>2</sup> Tunable white 2700K-6500K<br><b>RGBW30</b> <sup>3</sup> RGB +white, 3000k<br><b>RGBW35</b> <sup>3</sup> RGB +white, 3500k<br><b>RGBW40</b> <sup>3</sup> RGB +white, 4000k | <b>LOW</b> Low output<br><b>MED</b> Medium output<br><b>HIGH</b> High output<br><b>CUST</b> Custom output <sup>1</sup>   |
| <b>UNV</b> Universal (120/277V)<br><b>347V</b> 347V  | <b>DB</b> Standard 0-10V 1%<br><b>DB.1%</b> 0-10V 0.1%<br><b>ELV</b> 2-wire 1% (120V only)<br><b>TRI</b> Forward phase (120V only)<br><b>LDE1</b> Lutron Digital EcoSystem<br><b>JA8</b> JA8 compliant 1% dimming<br><b>DALI</b> DALI-2 Driver<br><b>PoE</b> Power over ethernet.<br><b>TW10</b> Dual channel, 0-10V for tunable white.<br><b>WD10</b> 0-10V Warm Dim<br><b>PSQ</b> Lutron T-Series 2-channel 1% for tunable white<br><b>DMX</b> <sup>1</sup> DMX512 | <b>W</b> White<br><b>BLK</b> Black<br><b>CC</b> <sup>1</sup> Custom Color<br><b>CWF</b> <sup>1</sup> Custom Wood Finish   | <b>T</b> 9/16" Tee Grid<br><b>T15</b> 15/16" Tee Grid<br><b>SG</b> Slot Grid/Interlude<br><b>F</b> Flange<br><b>NT</b> Mud-in Flange<br><b>PM-X</b> Perimeter Mount<br><b>MW</b> <sup>2</sup> Millwork |
| <b>Optics</b>  | <b>Sensors/Controls</b>  | <b>Circuit</b>  | <b>Options</b>   |
| <b>SD</b> Standard Diffuser<br><b>ASYM</b> Asymmetric Optic<br><b>POL</b> 1" Pop Out lens<br><b>WW</b> Wall Wash Reflector | <b>NA</b> None<br><b>EIS</b> Enlighted sensor<br><b>WISM</b> Wattstopper occupancy sensor<br><b>WISD</b> Wattstopper daylight sensor<br><b>ECS</b> Eaton WaveLinX sensor<br><b>ACM</b> Acuity nLight module only<br><b>ACS</b> Acuity nLight sensor<br><b>CCS</b> Casambi module   | <b>NA</b> None<br><b>EM120V</b> Emergency Pack<br><b>EM277V</b> Emergency Pack<br><b>EMCKT</b> Emergency Circuit<br><b>DAYCKT</b> Daylight Circuit  | <b>NA</b> None<br><b>WH</b> 6ft whips preinstalled<br><b>CP</b> Chicago Plenum   |

## Performance

| Output <sup>1</sup> | Watts/ft | Lumens/ft |
|---------------------|----------|-----------|
| Low                 | 5        | 411       |
| Medium              | 7        | 572       |
| High                | 10       | 782       |

<sup>1</sup>Based on a typically configured 90 CRI, 3500K luminaire using one driver.

Custom outputs available. Please consult factory.  
For 4000K multiply by 1.05; for 3000K 0.96; for 2700K, 0.92

## Technical Information



click [here](#) or scan QR code

Wiring diagrams, PoE and sensor details

Modification date: October, 2021

Page 2 of 5

# LSR3-EDU recessed

## Drivers & Electrical

Integral drivers\* with 0-10V Dimming standard. Several other driver options available; see ordering information.

\*DMX drivers are provided in remote enclosures.

## Sensors & Controls

Sensors are installed on an aluminum plate adjacent to the luminaire lens<sup>1</sup>. Coronet remains agnostic in our approach to sensors and control systems; our fixtures are compatible with most systems offered.

<sup>1</sup>Not applicable to indirect only models. Consult factory.

## Emergency Back-Up

For fixtures three-feet or longer, a 4W integral emergency driver may be wired to 4ft sections. 7W, 10W, and 12W drivers are also available (not all integral; consult factory). Emergency circuits for use with building generators are also available.

## PoE (Power over Ethernet)

Compatible with virtually all PoE systems including Molex Coresync, Igor, Smartengine, Platformatics, and NuLED SPICEbox. Consult Factory for systems not listed, See [here](#) for more info.

## Finishes

All luminaires are finished in high quality polyester powder coating. Our standard color is white. Any RAL color may be specified.

## Weight

5 lbs per foot

## Patterns

Featuring illuminated welded corners and angles. Consult factory for custom designs.

## Optics

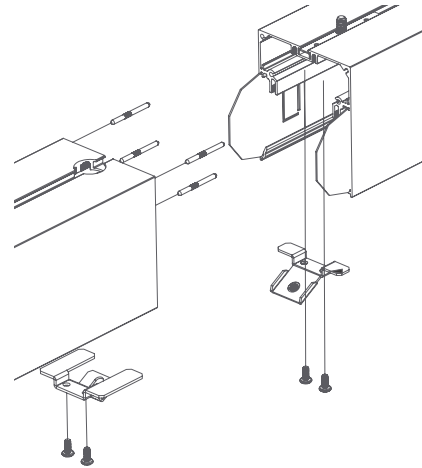
Extruded satin acrylic lenses provide excellent diffusion, high transmission, and no LED imaging.

## Construction

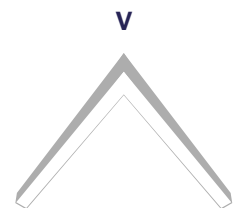
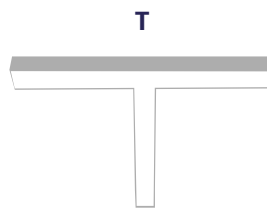
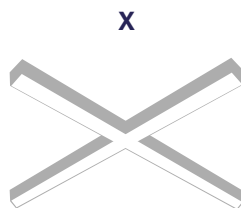
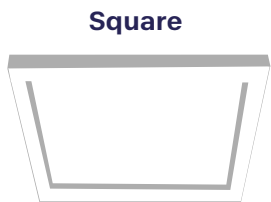
Housings are extruded premium, recycled aluminum. Individual fixtures are available up to 12' long and may be specified as nominal or precision lengths. Precision lengths are supplied within 1/8" tolerance.

## Joined Runs

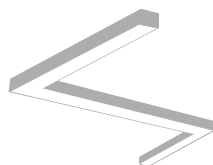
Runs of any length may be specified and are comprised of multiple, factory-engineered, joined sections. Individually specified luminaires are not field joinable.



Representative joinery. For product specific details see installation guides or submittal drawings.



**Custom**



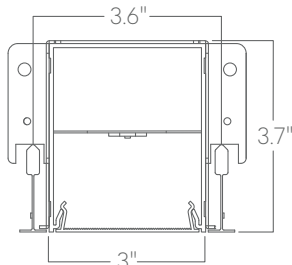
**Wall/Ceiling**



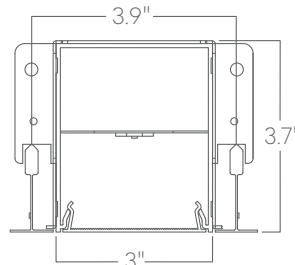
# LSR3-EDU recessed

## Mounting Options

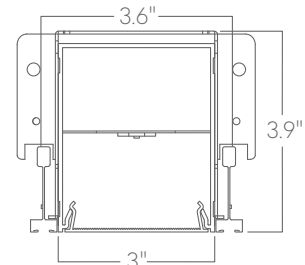
Custom mounting types and ceiling transitions available; consult factory.



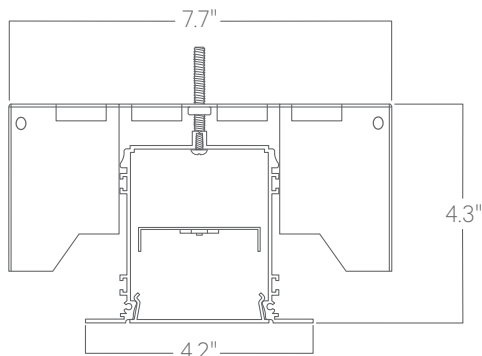
**T**  
9/16" tee grid



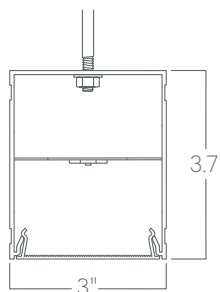
**T15**  
15/16" tee grid



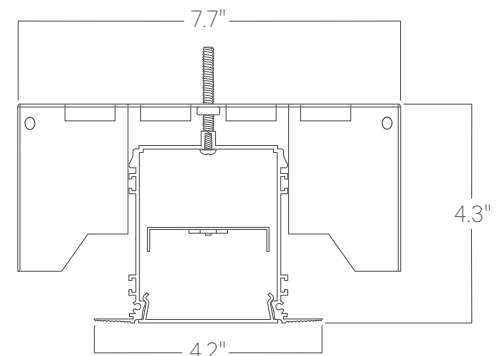
**SG**  
slot grid



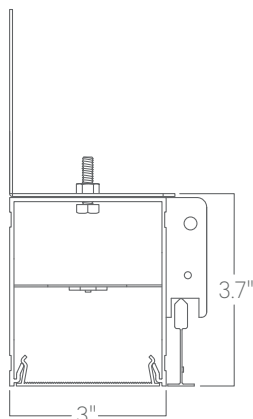
**F**  
flange



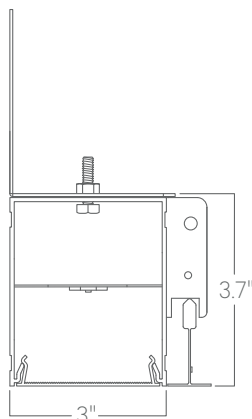
**MW**  
millwork



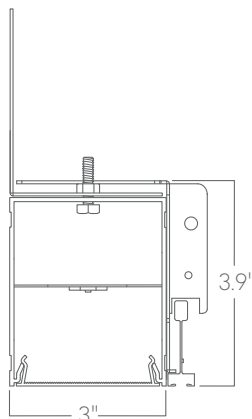
**NT**  
mud-in<sup>1</sup>



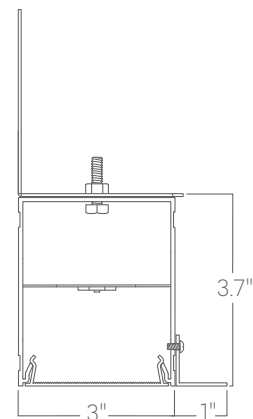
**PM-T**  
perimeter to 9/16" tee grid



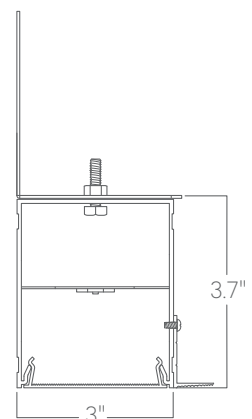
**PM-T15**  
perimeter to 15/16" tee grid



**PM-SG**  
perimeter to slot grid



**PM-F**  
perimeter to flange



**PM-NT**  
perimeter to mud-in

<sup>1</sup>Installation that alters aperture width compromises lens security. Installer must ensure aperture width is maintained.

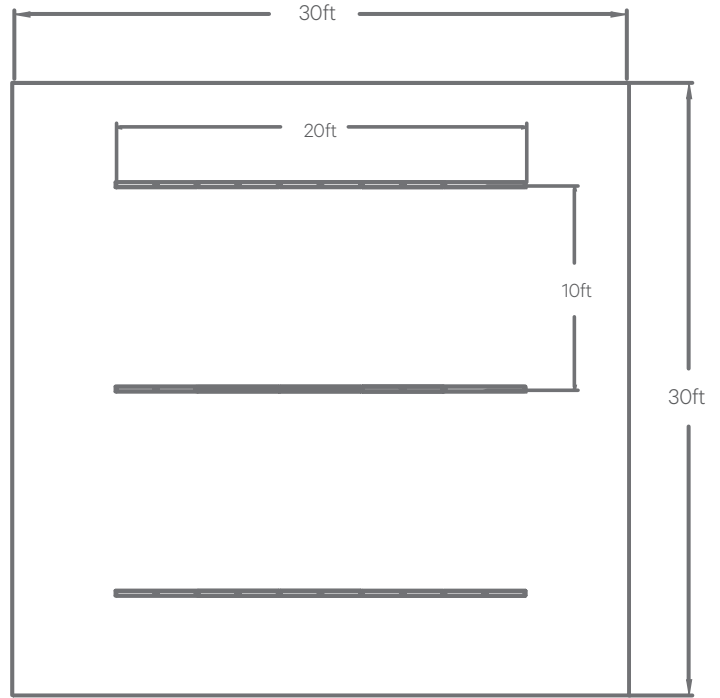
# LSR3-EDU recessed

## Sample Fixture Layout:

Classroom Size: 30ft x 30ft  
 Ceiling Height: 9.5ft AFF  
 Mounting Height: 8ft AFF  
 Reflectances: 80/50/20  
 Luminaire: LS4 EDU 4FT 3500K LTG1 DB  
 Wattage: 7.25W/ft  
 Lumen Output: 576lm/ft

## Target Levels:

Avg. Foot Candles: 35-50fc  
 Unified Glare Rating: <19



## Calculations:

|    |    |    |    |    |    |    |    |    |    |    |    |    |    |
|----|----|----|----|----|----|----|----|----|----|----|----|----|----|
| 23 | 23 | 22 | 22 | 21 | 21 | 20 | 20 | 19 | 17 | 13 | 10 | 10 | 10 |
| 24 | 24 | 24 | 23 | 23 | 22 | 21 | 20 | 16 | 10 | 10 | 10 | 10 | 10 |
| 25 | 25 | 24 | 24 | 23 | 23 | 22 | 21 | 10 | 10 | 10 | 10 | 10 | 10 |
| 25 | 25 | 24 | 24 | 24 | 23 | 22 | 21 | 16 | 10 | 10 | 10 | 10 | 10 |
| 25 | 24 | 24 | 24 | 23 | 23 | 22 | 21 | 13 | 13 | 10 | 10 | 10 | 10 |
| 25 | 24 | 24 | 24 | 23 | 23 | 22 | 21 | 13 | 13 | 10 | 10 | 10 | 10 |
| 25 | 25 | 25 | 24 | 24 | 23 | 22 | 21 | 16 | 10 | 10 | 10 | 10 | 10 |
| 25 | 25 | 24 | 24 | 24 | 23 | 22 | 21 | 10 | 10 | 10 | 10 | 10 | 10 |
| 25 | 25 | 25 | 24 | 24 | 23 | 22 | 21 | 16 | 10 | 10 | 10 | 10 | 10 |
| 25 | 24 | 24 | 24 | 24 | 23 | 22 | 21 | 13 | 13 | 10 | 10 | 10 | 10 |
| 25 | 24 | 24 | 24 | 23 | 23 | 22 | 21 | 13 | 14 | 10 | 10 | 10 | 10 |
| 25 | 25 | 24 | 24 | 24 | 23 | 22 | 21 | 16 | 10 | 10 | 10 | 10 | 10 |
| 25 | 25 | 24 | 24 | 23 | 23 | 22 | 21 | 10 | 10 | 10 | 10 | 10 | 10 |
| 24 | 24 | 24 | 24 | 23 | 23 | 22 | 21 | 20 | 16 | 10 | 10 | 10 | 10 |
| 23 | 23 | 22 | 22 | 21 | 21 | 20 | 20 | 13 | 17 | 13 | 10 | 10 | 10 |

UGR: 15.15

|      |      |      |      |      |      |      |      |      |      |      |      |      |      |      |
|------|------|------|------|------|------|------|------|------|------|------|------|------|------|------|
| 9.3  | 13.0 | 18.6 | 24.3 | 28.2 | 30.4 | 31.4 | 31.8 | 31.4 | 30.4 | 28.1 | 24.2 | 18.6 | 13.0 | 9.3  |
| 11.4 | 17.3 | 27.5 | 37.8 | 44.2 | 47.4 | 48.7 | 49.1 | 48.7 | 47.4 | 44.2 | 37.7 | 27.4 | 17.3 | 11.4 |
| 12.9 | 20.4 | 36.2 | 48.1 | 56.1 | 59.8 | 61.3 | 61.9 | 61.4 | 59.8 | 56.1 | 48.0 | 34.2 | 20.4 | 12.9 |
| 12.8 | 19.1 | 29.8 | 40.5 | 47.2 | 50.7 | 52.1 | 52.6 | 52.1 | 50.6 | 47.1 | 40.4 | 29.7 | 19.1 | 12.8 |
| 12.4 | 16.9 | 23.8 | 30.8 | 35.8 | 38.7 | 40.1 | 40.4 | 40.0 | 38.6 | 35.7 | 30.7 | 23.8 | 16.9 | 12.4 |
| 12.6 | 17.1 | 24.1 | 31.1 | 36.1 | 39.0 | 40.5 | 40.8 | 40.4 | 39.0 | 36.1 | 31.0 | 24.1 | 17.1 | 12.6 |
| 13.5 | 19.9 | 30.7 | 41.5 | 48.4 | 51.8 | 53.4 | 53.9 | 53.4 | 51.8 | 48.3 | 41.5 | 30.6 | 19.9 | 13.5 |
| 14.2 | 22.0 | 36.0 | 50.0 | 58.3 | 62.3 | 64.0 | 64.3 | 63.8 | 62.3 | 58.2 | 49.9 | 35.9 | 21.9 | 14.2 |
| 13.5 | 19.9 | 30.8 | 41.5 | 48.4 | 51.8 | 53.4 | 53.9 | 53.4 | 51.8 | 48.3 | 41.5 | 30.6 | 19.9 | 13.5 |
| 12.6 | 17.1 | 24.1 | 31.2 | 36.2 | 39.1 | 40.5 | 40.9 | 40.5 | 39.0 | 36.1 | 31.1 | 24.1 | 17.1 | 12.6 |
| 12.3 | 16.9 | 23.8 | 30.8 | 35.9 | 38.8 | 40.2 | 40.6 | 40.2 | 38.7 | 35.8 | 30.8 | 23.8 | 16.9 | 12.3 |
| 12.8 | 19.1 | 29.8 | 40.6 | 47.4 | 50.8 | 52.3 | 52.7 | 52.2 | 50.7 | 47.3 | 40.5 | 29.8 | 19.1 | 12.8 |
| 12.9 | 20.4 | 36.2 | 48.1 | 56.2 | 60.0 | 61.6 | 62.1 | 61.6 | 60.0 | 56.2 | 48.0 | 34.1 | 20.4 | 12.9 |
| 11.4 | 17.3 | 27.5 | 37.8 | 44.2 | 47.4 | 48.7 | 49.2 | 48.7 | 47.4 | 44.1 | 37.7 | 27.5 | 17.3 | 11.4 |
| 9.3  | 13.0 | 18.6 | 24.2 | 28.2 | 30.4 | 31.5 | 31.8 | 31.5 | 30.4 | 28.2 | 24.2 | 18.6 | 13.0 | 9.3  |

AVG FC: 36.7