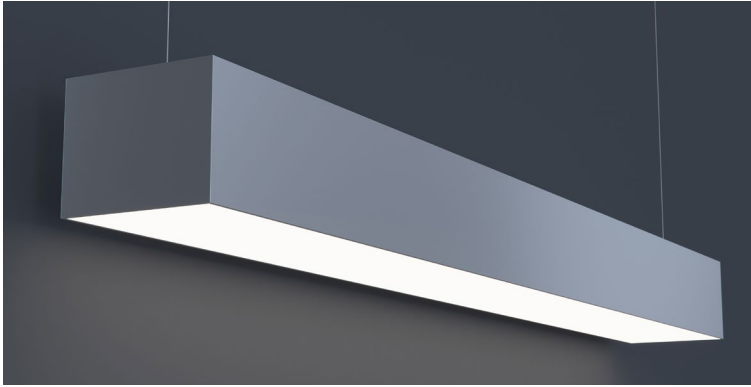


DATE _____ PROJECT _____ FIRM _____ TYPE _____



FEATURES

- Available In Made To Measure Lengths Accurate Up To 1/16"
- Patterns Available (See Page 2)
- Damp Location Rated
- CRI 90+ Standard; R9>50
- 5 Year, 50,000 Hour Fixture Warranty
- 2700K, 3000K, 3500K, 4000K & 5000K Color Temperatures Available
- Available with PoE- [See More](#)

APPLICATIONS Classrooms, Offices, Lobbies, Retail Stores, Reception Areas, & Corridors

FINISH Standard Powder-Coated White. Custom RAL Colors Available

CONSTRUCTION Extruded Aluminum Housing with Steel End Caps. Formed Steel Gear Tray

OPTICS Extruded High Transmission Satin Acrylic Lens with No LED Imaging

FIXTURE RATINGS & CERTIFICATIONS Union Made ETL Listed Made In The USA Damp Location Rated



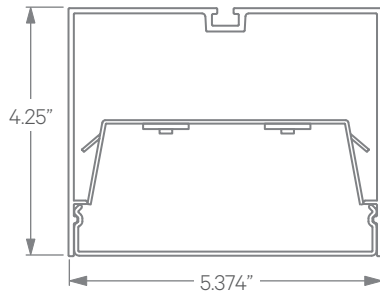
DRIVERS, SENSORS, & POE



For Wiring Diagrams, POE, and Sensor Information Click [Here](#)

ELECTRICAL Integral Driver with 0-10V Dimming Standard. Several Driver Options Available

EXTRUSION DIMENSIONS



LED SYSTEM INFORMATION

	Nominal System Watts	Nominal Delivered Lumens	Nominal Efficacy
Standard (LTG1)	9 W/ft	825 lm/ft	91 LPW
Low (LTG2)	6.5 W/ft	602 lm/ft	93 LPW
High (LTG3)	13 W/ft	1,155 lm/ft	89 LPW

Based on a 3500K luminaire using one driver. Custom outputs available; specify below.

ORDERING



1 - FIXTURE ID	2 - LENGTH	3 - COLOR TEMP	4 - LED SYSTEM	5 - VOLTAGE	6 - DRIVER
LS6 LED	2 - 2 ft 4 - 4 ft 8 - 8 ft X'-X" - Specify Length PAT - Pattern (Consult Factory)	27 - 2700K/90 CRI 30 - 3000K/90 CRI 35 - 3500K/90 CRI 40 - 4000K/90 CRI 50 - 5000K/90 CRI WD* - Warm Dim 2200K-3000K TW** - Tunable White 2700K-6500K RGBW30*** - RGB + 3000K RGBW35*** - RGB + 3500K *Requires WD10 Driver **Requires DMX or TW10 Driver ***Requires DMX Driver	LTG1 - Standard LTG2 - Low LTG3 - High LTGC - Custom Output	UNV - Universal (120/277V) 347V* - 347V *Must use DB Driver	DB - Standard 1% Dimming (0-10V) DB.1% - 0.1% Dimming (0-10V) ELV-TRI - 2-wire 1% Dimming (120V only) ELV and TRIAC Compatible LDE1 - Lutron Digital EcoSystem LDE5 - 5 Series EcoSystem; 5% Dimming DALI - DALI-2 Driver PoE - Power over Ethernet. Consult Factory for Compatibility DMX - For Color Tuning and RGBW (Remote) TW10 - Dual Channel, 0-10V For Color Tuning (CCT and Intensity Control) WD10 - 0-10V Driver For Warm Dimming

7 - FINISH	8 - MOUNTING	9 - SENSORS & CONTROLS (OPTIONAL)	10 - OTHER OPTIONS
W - White (Standard) BLK* - Black CC* - Custom Color (provide RAL number**) CWF* - Custom Wood Finish (provide color**)	AC - Air Craft Cable (50") SM - Surface Mount WM - Wall Mount PS-X* Pendant Stem (12", 18", 24", 36", 48") *White stems and canopy provided. Must specify for other requests. **For Perimeter Mount see LSR6 spec sheet.	EIS - Enlighted Sensor WISD - Wattstopper Daylight Sensor WISM - Wattstopper Occupancy Sensor ECS - Eaton WaveLinx Sensor ACM - Acuity nLight Module Only ACS - Acuity nLight Sensor CCS - Casambi Module TRI - Occupancy/Daylight Sensor	EM 120V - Emergency Pack EM 277V - Emergency Pack EMCKT - Emergency Circuit

NOTE: For other control systems not listed consult factory.

Updated: 10/15/2020

DATE

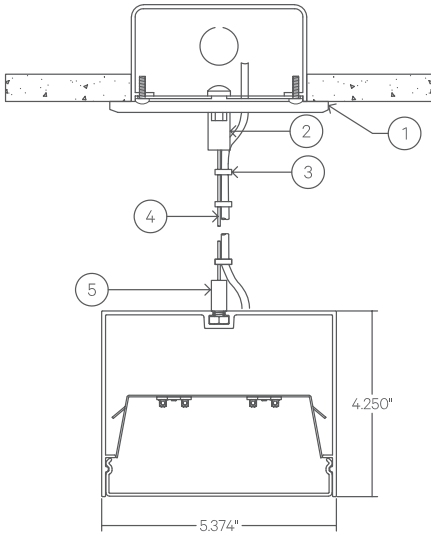
PROJECT

FIRM

TYPE

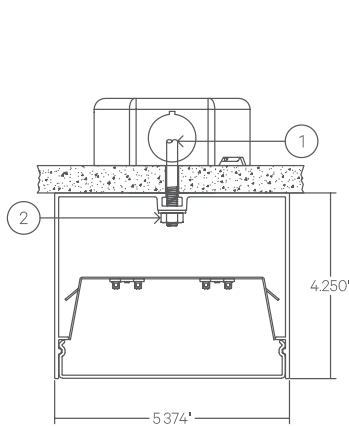
MOUNTING OPTIONS

AC - Air Craft Cable (50")



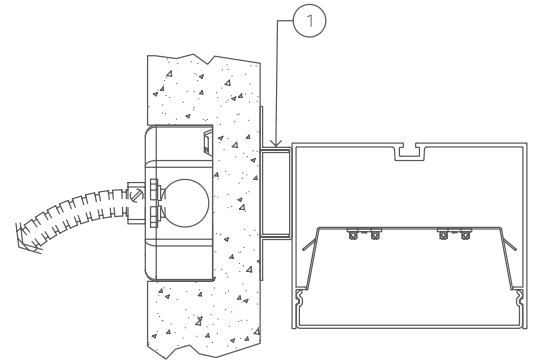
- 1 - 5" Round Canopy (Standard White Finish)
- 2 - Canopy Retainer
- 3 - SJT Cord (Standard White)
- 4 - Air Craft Cable
- 5 - Gripper

SM - Surface Mount



- 1 - Threaded Rod (not supplied)
- 2 - 1/4-20 Nut (not supplied)

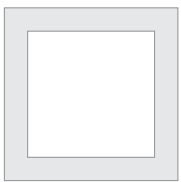
WM - Wall Mount



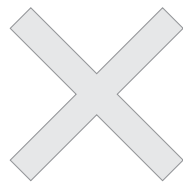
- 1 - 0.75" Wall Mount Bracket

PATTERNS

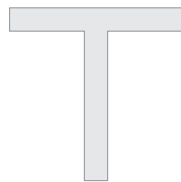
Patterns feature illuminated corners and angles. **Must consult factory for custom corners, patterns and elevations.**



Square Patterns



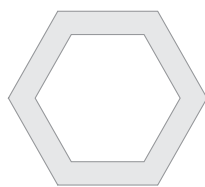
X Patterns



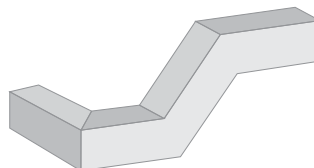
T Patterns



Custom Angles

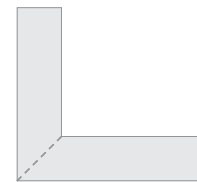


Custom Patterns



Custom Elevations

LENS CUT



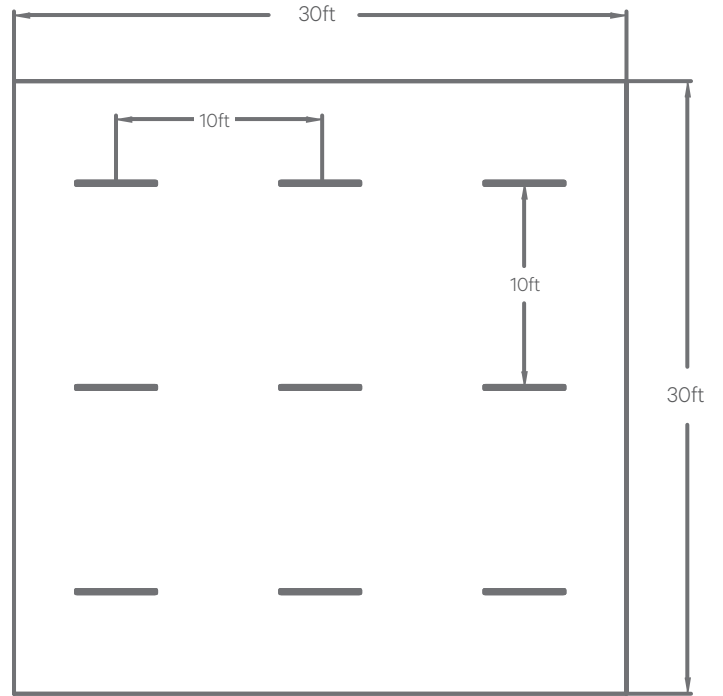
Mitered

Sample Fixture Layout:

Classroom Size: 30ft x 30ft
Ceiling Height: 9.5ft AFF
Mounting Height: 8ft AFF
Reflectances: 80/50/20
Luminaire: LS6 EDU 4FT 3500K LTG1 DB
Wattage: 9W/ft
Lumen Output: 825lm/ft

Target Levels:

Avg. Foot Candles: 35-50fc
Unified Glare Rating: <19



Calculations:

19.9	26.1	29.7	28.8	26.5	26.8	30.0	31.9	29.9	26.7	26.4	28.7	29.5	29.9	19.9
29.1	33.8	39.2	37.0	32.6	33.0	38.3	41.6	38.2	32.9	32.5	36.8	39.0	33.6	24.9
27.3	36.7	42.4	40.1	35.9	35.9	41.6	45.1	41.9	35.8	35.3	39.9	42.1	36.3	27.1
27.5	35.5	40.2	38.9	35.7	36.2	40.7	43.4	40.4	35.9	35.5	38.8	39.9	39.0	27.1
28.6	37.2	42.2	40.6	36.9	37.6	42.8	46.1	42.5	37.1	36.9	40.6	41.9	36.5	28.1
30.4	39.4	45.4	43.7	38.8	39.5	45.4	49.0	45.7	39.0	38.8	42.6	43.6	39.5	29.5
29.9	39.0	44.3	42.3	38.1	38.9	45.0	49.0	44.5	38.4	38.1	42.4	44.0	38.2	29.1
28.9	37.0	41.6	40.2	37.3	38.1	42.9	46.1	42.4	37.6	37.2	40.4	41.3	36.2	28.2
29.9	39.1	44.3	42.3	38.2	39.0	45.0	49.0	44.5	38.6	38.2	42.5	44.1	38.2	29.1
30.5	40.6	46.2	45.7	38.8	39.6	46.5	50.5	45.8	39.2	38.9	43.9	46.0	39.6	29.7
28.8	37.4	42.3	40.6	36.9	37.6	43.1	46.4	42.6	37.3	37.0	40.7	42.0	36.6	28.9
27.7	35.7	40.4	39.0	35.7	36.3	41.1	43.8	40.7	36.1	35.8	39.1	40.1	35.1	27.0
27.7	37.0	42.6	40.1	35.5	36.2	42.0	45.4	41.6	35.9	35.6	40.3	42.2	36.3	26.9
28.5	34.3	39.4	37.0	32.7	33.3	38.7	41.9	38.3	33.0	32.8	37.2	39.1	35.5	24.7
20.2	26.3	29.9	28.9	26.5	27.0	30.2	32.0	29.9	26.8	26.6	28.9	29.6	28.8	19.7

UGR: 18.94

21	20	20	21	21	20	18	19	19	19	17	16	16	16	16
22	21	21	22	22	21	20	20	20	20	18	16	16	16	16
22	21	22	22	22	22	20	21	21	21	19	16	16	16	16
23	22	22	23	23	22	21	21	21	21	19	16	16	16	16
23	22	23	23	23	22	21	21	21	21	19	16	16	16	16
23	22	23	23	23	22	21	21	21	21	19	16	16	16	16
23	22	23	23	23	22	21	21	21	21	19	16	16	16	16
23	22	23	23	23	22	21	21	21	21	19	16	16	16	16
23	22	23	23	23	22	21	21	21	21	19	16	16	16	16
23	22	23	23	23	22	21	21	21	21	19	16	16	16	16
23	22	23	23	23	22	21	21	21	21	19	16	16	16	16
23	22	23	23	23	22	21	21	21	21	19	16	16	16	16
23	22	23	23	23	22	21	21	21	21	19	16	16	16	16
23	22	23	23	23	22	21	21	21	21	19	16	16	16	16
21	20	20	21	21	20	18	19	19	19	17	16	16	16	16

AVG FC: 37.87