

LS6-EDU direct

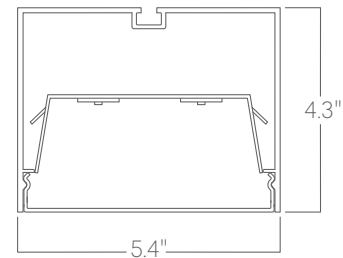


The LS Series of architectural luminaires offers a wide range of profiles and mounting options. Custom lengths and patterns are tailored to suit any modern space.

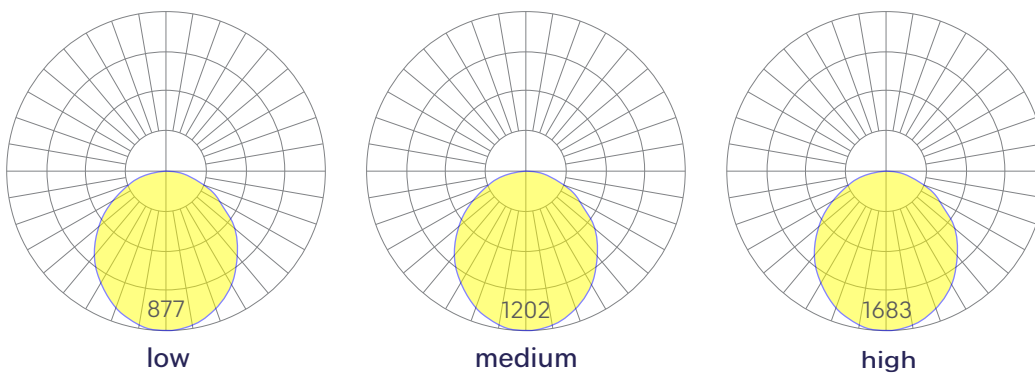
Features

- Extruded recycled aluminum housing
- Aluminum core LED boards, specifiable optics
- Specifiable color temperature. CRI > 90, R9 >50
- Custom lengths, welded patterns, and finishes available
- Integral specifiable dimmable drivers or PoE
- 5 Year, 50,000 hour warranty
- WELL Building Standard compatible [learn more](#)

Dimensions



Optics



Representative distribution and peak candela. For other options see order information or IES files [here](#).

LS6-EDU direct

Ordering Information



Example: LS6 - 8 - 35 - MED - UNV - DB - W - AC - SD - CCS - DAYCKT - NA

Fixture ID	1	Length	2	Color Temperature	3	Output	4
LS6		2 2 ft 4 4 ft 8 8 ft X'-X'' Specify Length ¹ PAT Pattern (Consult Factory)		27 2700K/90 CRI 30 3000K/90 CRI 35 3500K/90 CRI 40 4000K/90 CRI 50 5000K/90 CRI WD ¹ Warm Dim 2200K–3000K TW ² Tunable white 2700K–6500K RGBW30 ³ RGB +white, 3000k RGBW35 ³ RGB +white, 3500k RGBW40 ³ RGB +white, 4000k		LOW Low output MED Medium output HIGH High output CUST Custom output ¹	
		¹ Precision lengths may be specified to the nearest 1/8".		¹ Must use WD10 driver. ² Must use TW10 or PSQ driver. ³ Must use remote DMX driver.		¹ consult factory	
Voltage	5	Driver	6	Finish	7	Mounting	8
UNV 347V ¹	Universal (120/277V) 347V	DB Standard 0-10V 1% DB.1% 0-10V 0.1% ELV 2-wire 1% (120V only) TRI Forward phase (120V only) LDE1 Lutron Digital EcoSystem JA8 JA8 compliant 1% dimming DALI DALI-2 Driver PoE Power over ethernet. TW10 Dual channel, 0-10V for tunable white. WD10 0-10V Warm Dim PSQ Lutron T-Series 2-channel 1% for tunable white DMX ¹ DMX512		W White BLK Black CC ¹ Custom Color CWF ¹ Custom Wood Finish		AC Aircraft Cable (50") SM Surface Mount WM Wall Mount PS-X Pendant Stem (12", 18", 24", 36", 48")	
	¹ Must use DB Driver	¹ Set to default address 001. RDM capable. Contact us for other addressing needs. All DMX drivers provided in remote enclosures.		¹ Custom Color. See finish options here. White SJ cord and canopy provided, for other requests, see section 12 to specify.		White stems and canopy provided. Must specify other requests.	
Optics	9	Sensors/Controls	10	Circuit	11	Options	12
SD	Standard Diffuser	NA None EIS Enlighted sensor WISM Wattstopper occupancy sensor WISD Wattstopper daylight sensor ECS Eaton Wavelinx sensor ACM Acuity nLight module only ACS Acuity nLight sensor CCS Casambi module		NA None EM120V Emergency Pack EM277V Emergency Pack EMCKT Emergency Circuit DAYCKT Daylight Circuit		NA None CAN-X ¹ Canopy + color SJ-X ² SJ Cord + color	
		Consult factory for other options.				¹ White SJ cord and canopy provided, use above nomenclature for other requests. ² See finish options here.	

Performance

Output ¹	Watts/ft	Lumens/ft
Low	7	611
Medium	9	838
High	13	1173

¹Based on a typically configured 90 CRI, 3500K luminaire using one driver.

Custom outputs available. Please consult factory.
For 4000K multiply by 105, for 3000K 0.9%, for 2700K, 0.92.

Technical Information



click [here](#) or scan QR code

Wiring diagrams, PoE and sensor details

Modification date: October, 2021

Page 2 of 5

LS6-EDU direct

Drivers & Electrical

Integral drivers* with 0-10V Dimming standard. Several other driver options available; see ordering information.

*DMX drivers are provided in remote enclosures.

Sensors & Controls

Sensors are installed on an aluminum plate adjacent to the luminaire lens¹. Coronet remains agnostic in our approach to sensors and control systems; our fixtures are compatible with most systems offered.

¹Not applicable to indirect only models. Consult factory.

Emergency Back-Up

For fixtures three-feet or longer, a 4W integral emergency driver may be wired to 4ft sections. 7W, 10W, and 12W drivers are also available (not all integral; consult factory). Emergency circuits for use with building generators are also available.

PoE (Power over Ethernet)

Compatible with virtually all PoE systems including Molex Coresync, Igor, Smartengine, Platformatics, and NuLED SPICEbox. Consult Factory for systems not listed, See [here](#) for more info.

Finishes

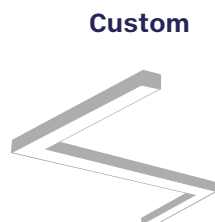
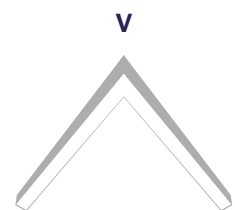
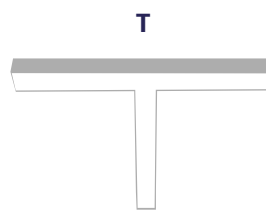
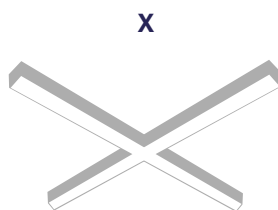
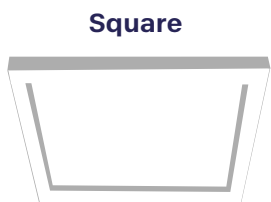
All luminaires are finished in high quality polyester powder coating. Our standard color is white. Any RAL color may be specified.

Weight

5 lbs per foot

Patterns

Featuring illuminated welded corners and angles. Consult factory for custom designs and elevations.



Optics

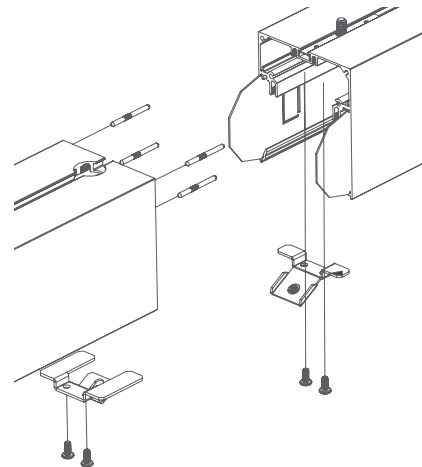
Extruded satin acrylic lenses provide excellent diffusion, high transmission, and no LED imaging.

Construction

Housings are extruded premium, recycled aluminum. Individual fixtures are available up to 12' long and may be specified as nominal or precision lengths. Precision lengths are supplied within 1/8" tolerance.

Joined Runs

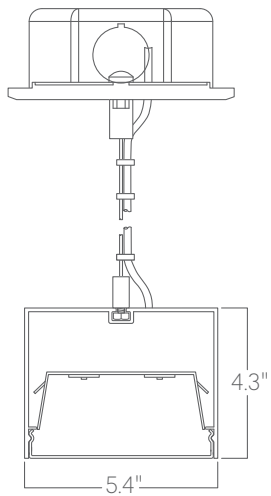
Runs of any length may be specified and are comprised of multiple, factory-engineered, joined sections. Individually specified luminaires are not field joinable.



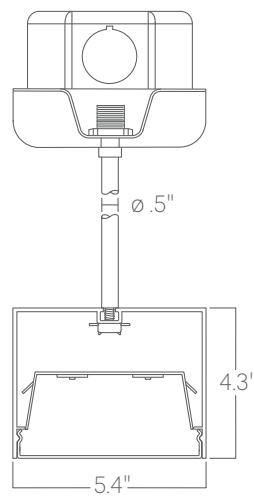
Representative joinery. For product specific details see installation guides or submittal drawings.

Mounting Options

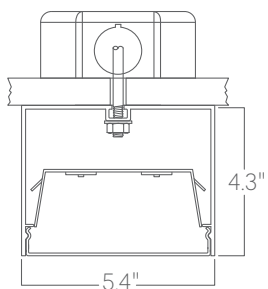
Custom mounting types and ceiling transitions available; consult factory.



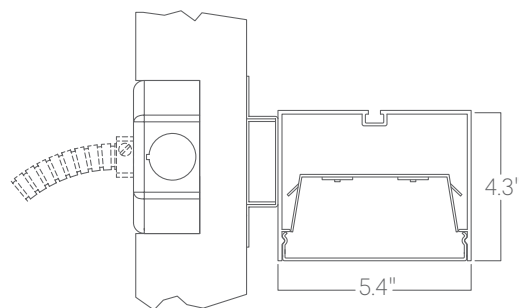
Aircraft cable



Pendant stem



Surface mount



Wall mount

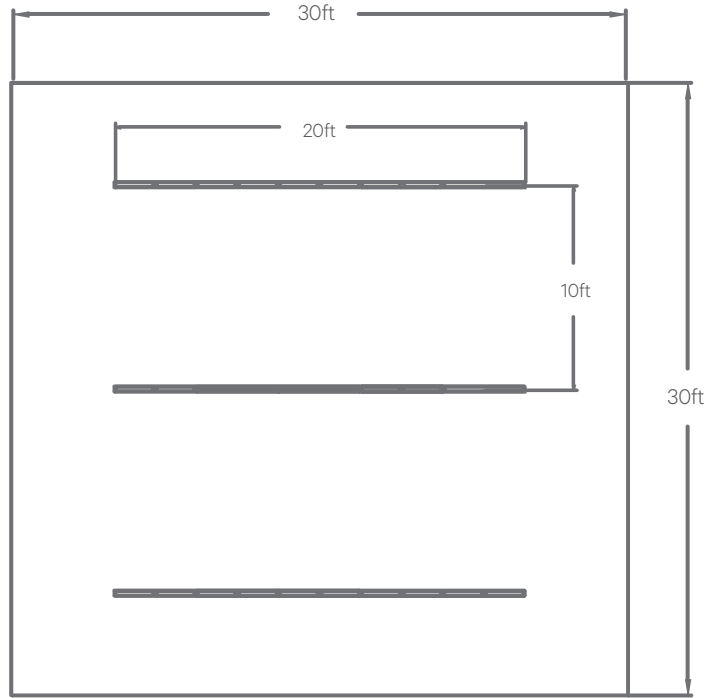
LS6-EDU direct

Sample Fixture Layout:

Classroom Size: 30ft x 30ft
 Ceiling Height: 9.5ft AFF
 Mounting Height: 8ft AFF
 Reflectances: 80/50/20
 Luminaire: LS4 EDU 4FT 3500K LTG1 DB
 Wattage: 7.25W/ft
 Lumen Output: 576lm/ft

Target Levels:

Avg. Foot Candles: 35-50fc
 Unified Glare Rating: <19



Calculations:

23	23	22	22	21	21	20	20	19	17	13	10	10	10
24	24	24	23	23	22	21	20	16	10	10	10	10	10
25	25	24	24	23	23	22	21	10	10	10	10	10	10
25	25	24	24	24	23	22	21	16	10	10	10	10	10
25	24	24	24	23	23	22	21	13	13	10	10	10	10
25	24	24	24	23	23	22	21	13	13	10	10	10	10
25	25	25	24	24	23	22	21	16	10	10	10	10	10
25	25	24	24	24	23	22	21	10	10	10	10	10	10
25	25	25	24	24	23	22	21	16	10	10	10	10	10
25	24	24	24	24	23	22	21	13	13	10	10	10	10
25	24	24	24	23	23	22	21	13	13	10	10	10	10
25	25	24	24	24	23	22	21	16	10	10	10	10	10
25	25	24	24	24	23	22	21	10	10	10	10	10	10
24	24	24	24	23	23	22	21	20	16	10	10	10	10
23	23	22	22	21	21	20	20	13	17	13	10	10	10

UGR: 15.15

9.3	13.0	18.6	24.3	28.2	30.4	31.4	31.8	31.4	30.4	28.1	24.2	18.6	13.0	9.3
11.4	17.3	27.5	37.8	44.2	47.4	48.7	49.1	48.7	47.4	44.2	37.7	27.4	17.3	11.4
12.9	20.4	30.2	38.1	39.8	41.3	41.9	41.4	39.8	38.1	30.2	20.4	12.9		
12.8	19.1	29.8	40.5	47.2	50.7	52.1	52.6	52.1	50.6	47.1	40.4	29.7	19.1	12.8
12.4	16.9	23.8	30.8	35.8	38.7	40.1	40.4	40.0	38.6	35.7	30.7	23.8	16.9	12.4
12.6	17.1	24.1	31.1	36.1	39.0	40.5	40.8	40.4	39.0	36.1	31.0	24.1	17.1	12.6
13.5	19.9	30.7	41.5	48.4	51.8	53.4	53.9	53.4	51.8	48.3	41.5	30.6	19.9	13.5
14.2	22.0	36.0	50.0	58.3	62.3	64.0	64.3	63.8	62.3	58.2	50.0	22.0		
13.5	19.9	30.8	41.5	48.4	51.8	53.4	53.9	53.4	51.8	48.3	41.5	30.6	19.9	13.5
12.6	17.1	24.1	31.2	36.2	39.1	40.5	40.9	40.5	39.0	36.1	31.1	24.1	17.1	12.6
12.3	16.9	23.8	30.8	35.9	38.8	40.2	40.6	40.2	38.7	35.8	30.8	23.8	16.9	12.3
12.8	19.1	29.8	40.6	47.4	50.8	52.3	52.7	52.2	50.7	47.3	40.5	29.8	19.1	12.8
12.9	20.4	30.2	38.1	39.8	41.3	41.9	41.4	39.8	38.1	30.2	20.4	12.9		
11.4	17.3	27.5	37.8	44.2	47.4	48.7	49.2	48.7	47.4	44.1	37.7	27.5	17.3	11.4
9.3	13.0	18.6	24.2	28.2	30.4	31.5	31.8	31.5	30.4	28.2	24.2	18.6	13.0	9.3

AVG FC: 36.7