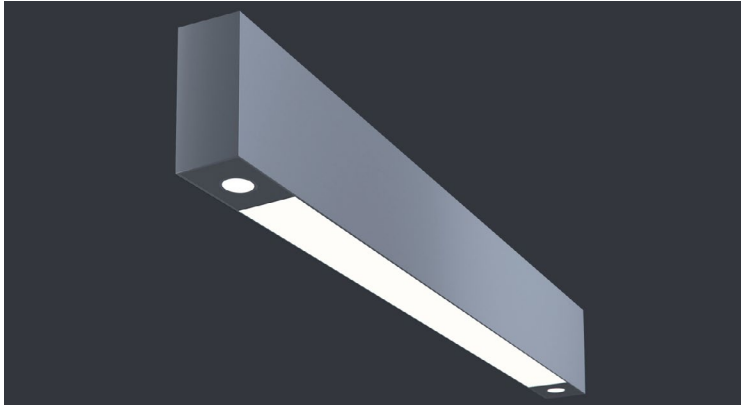


DATE \_\_\_\_\_ PROJECT \_\_\_\_\_ FIRM \_\_\_\_\_ TYPE \_\_\_\_\_



### FEATURES

- Linear, architectural luminaire with accent downlighting
- Available In Made To Measure Lengths Accurate Up To 1/16"
- Patterns Available (See Page 2)
- Damp Location Rated
- CRI 90+ Standard; R9>50
- 5 Year, 50,000 Hour Fixture Warranty
- 2700K, 3000K, 3500K, 4000K & 5000K Color Temperatures Available
- Available with PoE

**APPLICATIONS** Offices, Lobbies, Retail Stores, Classrooms, Reception Areas, & Corridors

**FINISH** Standard Powder-Coated White. Custom RAL Colors Available

**CONSTRUCTION** Extruded Aluminum Housing with Die Cast Ends. Formed Steel Gear Tray

**OPTICS** Extruded High Transmission Satin Acrylic Lens with No LED Imaging. Accent Lighting Varies (See Page 3)

**FIXTURE RATINGS & CERTIFICATIONS** Union Made ETL Listed Made In The USA Damp Location Rated



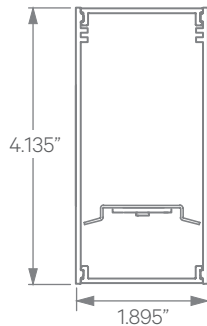
### DRIVERS & SENSORS

For Wiring Diagrams and Sensor Information Click [Here](#)



**ELECTRICAL** Integral Driver with 0-10V Dimming Standard for both MR16 Lamps and Linear Component (Separate Circuit). Several Driver Options Available for Linear Component

### EXTRUSION DIMENSIONS



### LED SYSTEM INFORMATION

	Nominal System Watts	Nominal Delivered Lumens
Standard (LTG1)*	7.25 W/ft	515 lm/ft
Low (LTG2)*	5 W/ft	380 lm/ft
High (LTG3)*	10 W/ft	775 lm/ft
MR16**	5 W	328 lm

\*Based on a 3500K luminaire using one driver. Custom outputs available; specify below.

\*\*Based on a 10° standard beam spread.

### ORDERING



<p><b>1 - FIXTURE ID</b></p> <p>LS1 SPOT</p>	<p><b>2 - LENGTH</b></p> <p>2 - 2 ft 4 - 4 ft 8 - 8 ft X'-X" - Specify Length PAT - Pattern (Consult Factory)</p>	<p><b>3 - COLOR TEMP</b></p> <p>27 - 2700K/90 CRI 30 - 3000K/90 CRI 35 - 3500K/90 CRI 40 - 4000K/90 CRI 50 - 5000K/90 CRI TW* - Tunable White RGBW** - RGB+3000K *Must use DMX or TW10 Driver **Must use DMX Driver</p>	<p><b>4 - LED SYSTEM</b></p> <p>LTG1 - Standard LTG2 - Low LTG3 - High LTGC - Custom Output</p>	<p><b>5 - VOLTAGE</b></p> <p>UNV - Universal (120/277V)</p>	<p><b>6 - DRIVER (Linear Component)</b></p> <p>DB - Standard Dimming (0-10V) DB1% - 1% Dimming (0-10V) DB.1% - 0.1% Dimming (0-10V) LTEA - Lutron 2-wire 1% Dimming (120V only) LDE1 - Lutron Digital EcoSystem LDE5 - 5 Series EcoSystem; 5% Dimming PoE - Power over Ethernet. Consult Factory for Compatibility DMX - For Color Tuning and RGBW (Remote) TW10 - Dual Channel, 0-10V For Color Tuning (CCT and Intensity Control)</p>	<p><b>7 - FINISH</b></p> <p>W - White (Standard) BLK* - Black CC* - Custom Color (provide RAL number**) CWF* - Custom Wood Finish (provide color**)</p>	<p><b>8 - MOUNTING</b></p> <p>AC - Air Craft Cable (50") SM - Surface Mount WM - Wall Mount PS-X" - Pendant Stem (12", 24", 36", or 48") *For Perimeter Mount see LSR4 spec sheet.</p>	<p><b>9 - CONTROL (Optional)</b></p> <p>EIS - Enlighted Sensor WISD - Wattstopper Daylight Sensor WISM - Wattstopper Occupancy Sensor SLS - SensiLUM Sensor ACS - Acuity Controls nLight System CCS - Casambi Compatible ECS - Eaton WaveLinX System *For other control systems not listed consult factory.</p>	<p><b>10 - OTHER OPTIONS</b></p> <p>EM 120V - Emergency Pack EM 277V - Emergency Pack EMCKT - Emergency Circuit</p>	<p><b>11 - BEAM SPREAD (SPOT)</b></p> <p>SP - 24° Beam; 1754 CBCP FL - 27° Beam Spread; 1700 CBCP WFL - 30° Beam Spread; 994 CBCP</p>	<p><b>12 - SPOT ACCESSORIES</b></p> <p>HEX - Hex Louver</p>
--	---	---	---	---	---	---	--	---	---	---	---

\*White cord and canopy provided. Must specify for other requests.  
\*\*See [here](#) for finish options

DATE

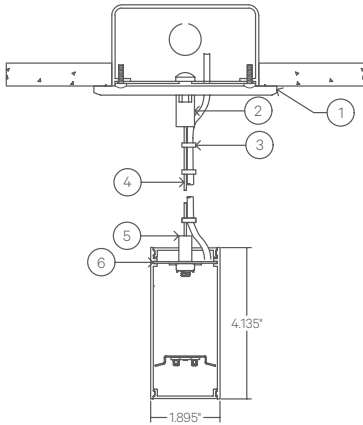
PROJECT

FIRM

TYPE

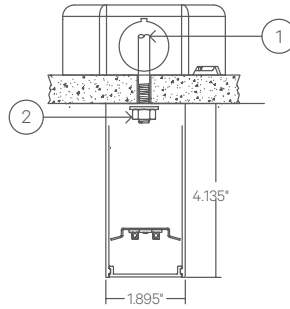
## MOUNTING OPTIONS

### AC - Air Craft Cable (50")



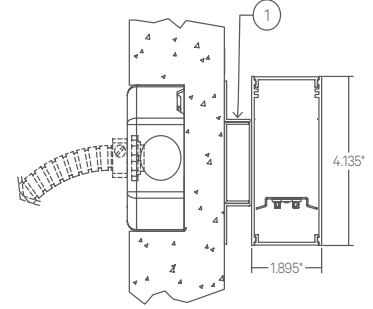
- 1 - 5" Round Canopy (Standard White Finish)
- 2 - Canopy Retainer
- 3 - SJT Cord (Standard White)
- 4 - Air Craft Cable

### SM - Surface Mount



- 1 - Threaded Rod (not supplied)
- 2 - 1/4-20 Nut (not supplied)

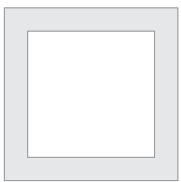
### WM - Wall Mount



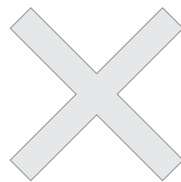
- 1 - 0.75" Wall Mount Bracket

## PATTERNS

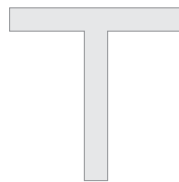
Patterns feature illuminated corners and angles. **Must consult factory for custom corners and patterns.**



Square Patterns



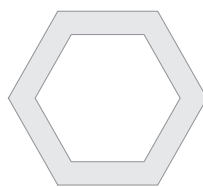
X Patterns



T Patterns



Custom Angles



Custom Patterns