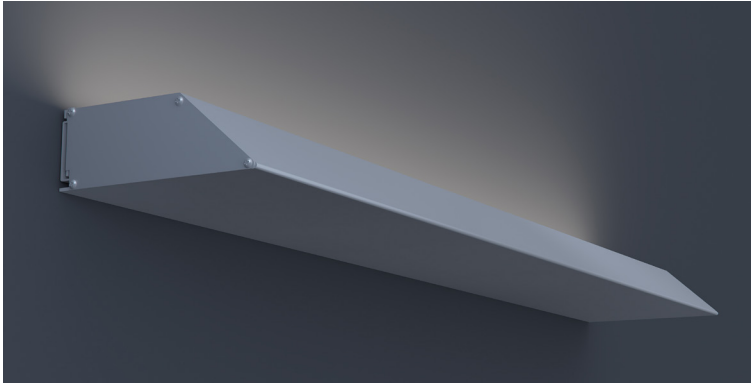


DATE \_\_\_\_\_ PROJECT \_\_\_\_\_ FIRM \_\_\_\_\_ TYPE \_\_\_\_\_



### FEATURES

- Cove System with Easy-to-Install Wall Mount Bracket
- Field Paintable to Match Any Wall Color
- Available In Made To Measure Lengths Accurate Up To 1/16"
- Damp Location Rated
- CRI 90+ Standard; R9>50
- 5 Year, 50,000 Hour Fixture Warranty
- 2700K, 3000K, 3500K, 4000K & 5000K Color Temperatures Available
- Available with PoE- [See More](#)

**APPLICATIONS** Offices, Lobbies, Retail Stores, Classrooms, Reception Areas, & Corridors

**FINISH** Standard Powder-Coated White with Optional Field Paintable White Coating Allowing for Custom RAL Colors Available

**CONSTRUCTION** Extruded Aluminum Housing with Snap-In Piece Designed to Adjust Angle of LED Modules

**OPTICS** Extruded High Transmission Satin Acrylic Lens with No LED Imaging. Dust Cover Provided

**FIXTURE RATINGS & CERTIFICATIONS** Union Made ETL Listed Made In The USA Damp Location Rated



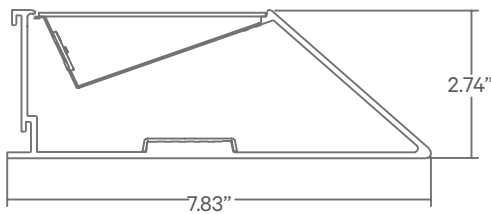
### DRIVERS, SENSORS, & POE

For Wiring Diagrams, POE, and Sensor Information Click [Here](#)



**ELECTRICAL** Integral Driver with 0-10V Dimming Standard. Several Driver Options Available

### EXTRUSION DIMENSIONS



### LED SYSTEM INFORMATION

	Nominal System Watts	Nominal Delivered Lumens	Nominal Efficacy
Standard (LTG1)	7.25 W/ft	666 lm/ft	91 LPW
Low (LTG2)	5 W/ft	473 lm/ft	94 LPW
High (LTG3)	10 W/ft	891 lm/ft	89 LPW

Based on a 90CRI, 3500K luminaire using one driver. Custom outputs available; specify below.

### ORDERING



#### 1 - FIXTURE ID

WB KOVE

#### 2 - LENGTH

- 4 - 4 ft
- 8 - 8 ft
- X'-X" - Specify Length

#### 3 - COLOR TEMP

- 27 - 2700K/90 CRI
  - 30 - 3000K/90 CRI
  - 35 - 3500K/90 CRI
  - 40 - 4000K/90 CRI
  - 50 - 5000K/90 CRI
  - WD\* - Warm Dim 2200K-3000K
  - TW\*\* - Tunable White 2700K-6500K
  - RGBW30\*\*\* - RGB + 3000K
  - RGBW35\*\*\* - RGB + 3500K
- \*Requires WD10 Driver  
\*\*Requires DMX or TW10 Driver  
\*\*\*Requires DMX Driver

#### 4 - LED SYSTEM

- LTG1 - Standard
- LTG2 - Low
- LTG3 - High
- LTGC - Custom Output

#### 5 - VOLTAGE

- UNV - Universal (120/277V)
  - 347V\* - 347V
- \*Must use DB Driver

#### 6 - DRIVER

- DB - Standard 1% Dimming (0-10V)
- DB.1% - 0.1% Dimming (0-10V)
- ELV-TRI - 2-wire 1% Dimming (120V only) ELV and TRIAC Compatible
- LDE1 - Lutron Digital EcoSystem
- LDE5 - 5 Series EcoSystem; 5% Dimming
- DALI - DALI-2 Driver
- PoE - Power over Ethernet. Consult Factory for Compatibility
- DMX - For Color Tuning and RGBW (Remote)
- TW10 - Dual Channel, 0-10V For Color Tuning (CCT and Intensity Control)
- WD10 - 0-10V Driver For Warm Dimming

#### 7 - FINISH

- W - White (Standard)
- FPW - Field Paintable White
- CC - Custom Color (provide RAL#)

#### 8 - REFLECTOR

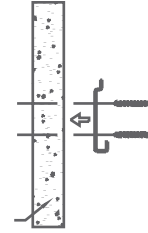
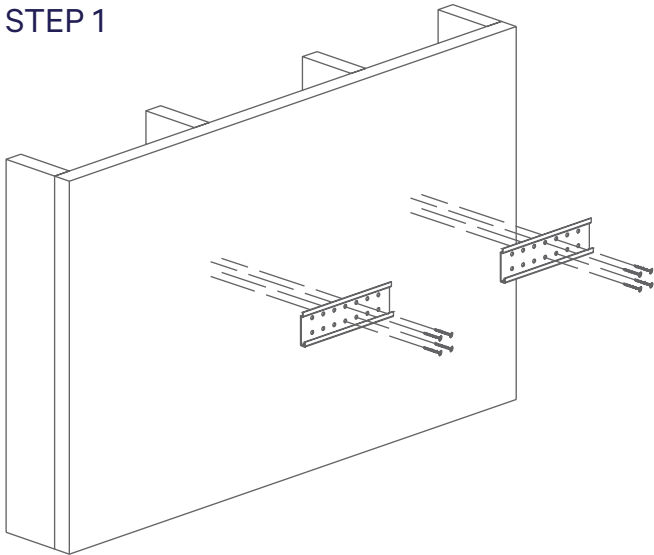
- STD - Standard
- ASYM - Asymmetric

#### 9 - OTHER OPTIONS

- EM 120V - Emergency Pack
- EM 277V - Emergency Pack
- EMCKT - Emergency Circuit

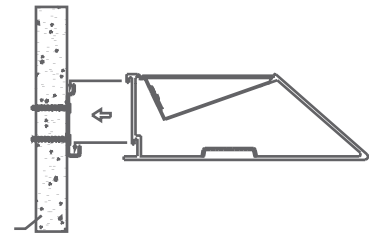
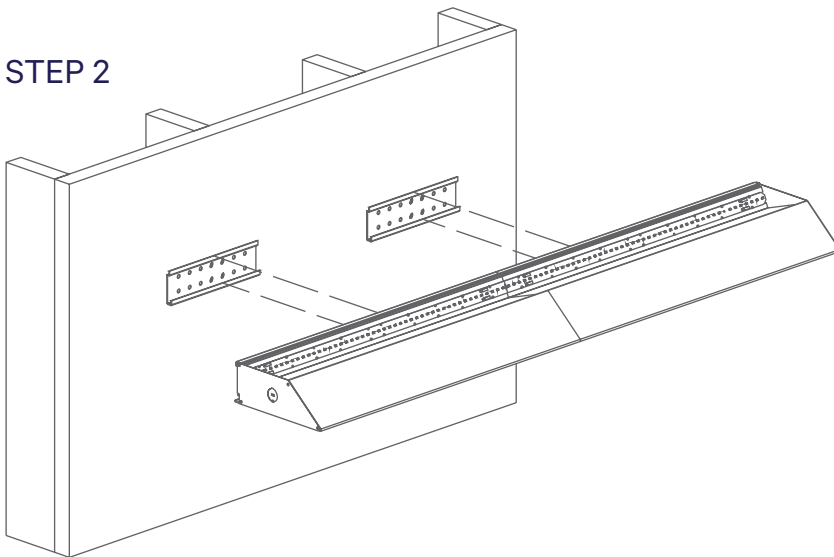
## MOUNTING INFORMATION

### STEP 1



DETAIL

### STEP 2



DETAIL