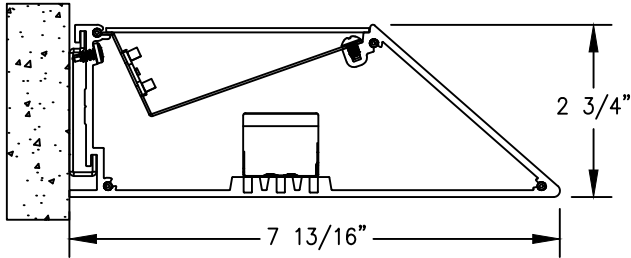


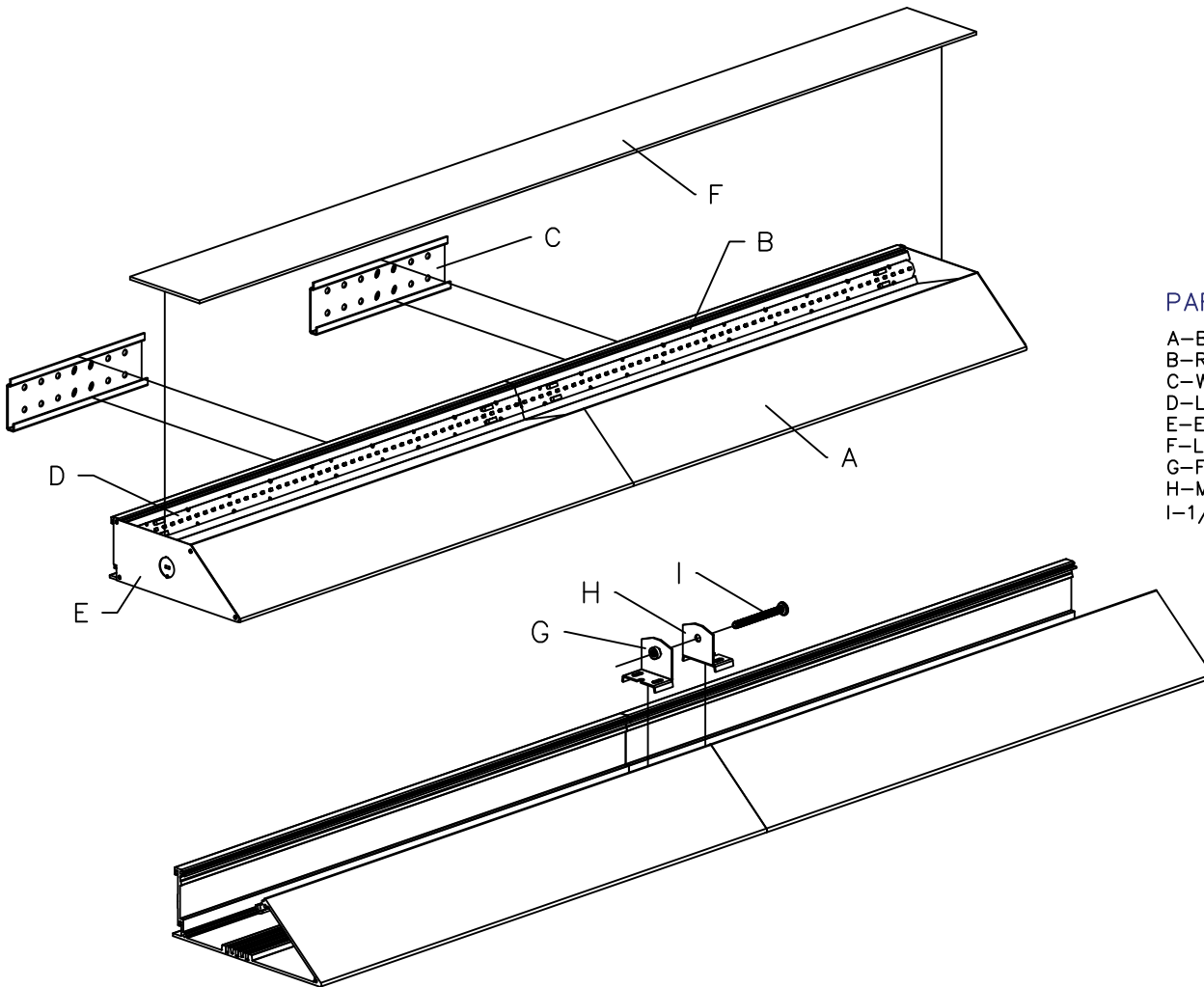
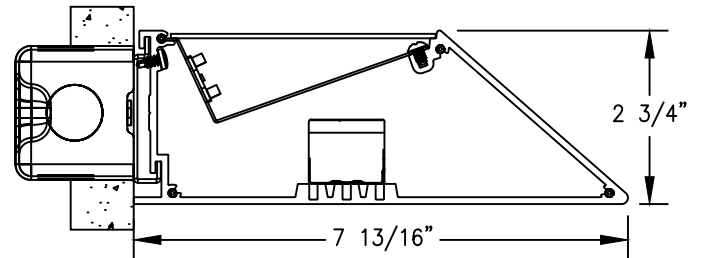


Risk of fire and electrical shock. In accordance with national local building and electrical codes, CORONET lighting fixtures must be installed by a qualified electrician. Disconnect power at electrical panel before servicing.

CROSS SECTION VIEW (END FEED)



CROSS SECTION VIEW (WALL FEED)



**PART LIST**

- A—Body Extrusion
- B—Reflector
- C—Wall Mount Bracket
- D—LED Board
- E—End Plate
- F—Lens
- G—Female Connector
- H—Male Connector
- I—1/4–20 Connect. Bolt

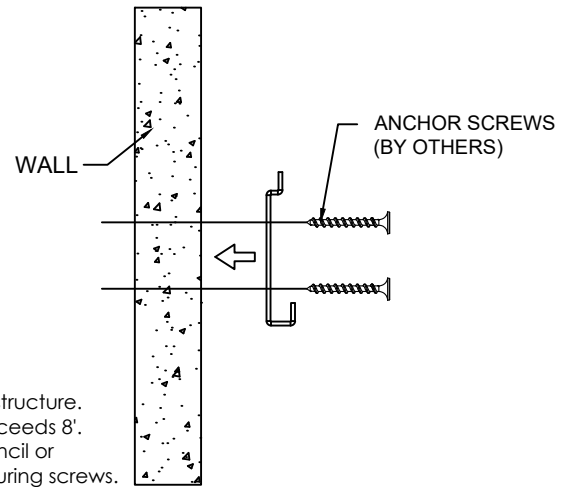
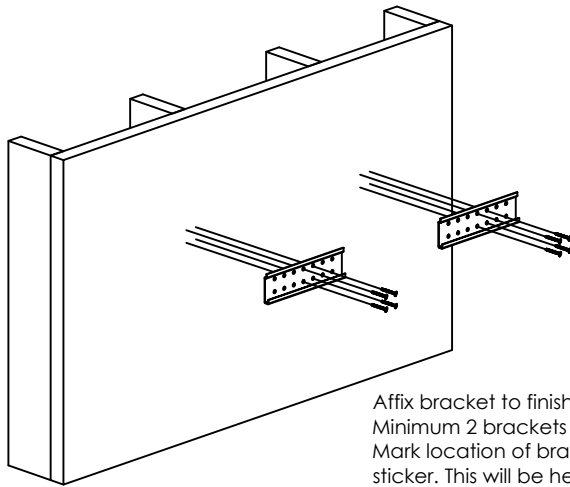
INDIVIDUAL FIXTURES ARE NOT INTENDED FOR CONTINUOUS RUNS.  
 ADDITIONAL SUPPORTS TO THE STRUCTURE MAY BE REQUIRED.  
 \*CHECK WITH YOUR LOCAL BUILDING CODE FOR THOSE REQUIREMENTS.

NOTE: JUNCTION BOXES MUST BE SOLIDLY FIXED TO THE CEILING AND ATTACHED TO THE STRUCTURAL MEMBER INSIDE THE CEILING BEFORE PROCEEDING WITH INSTALLATION.



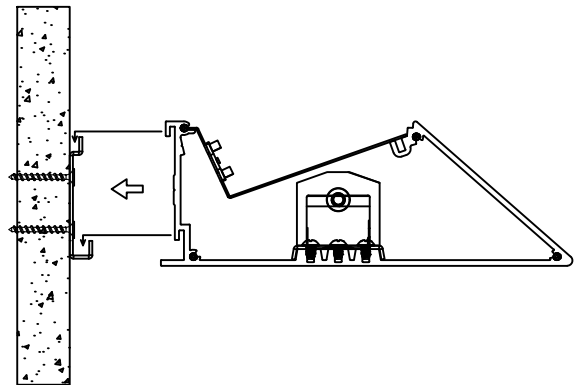
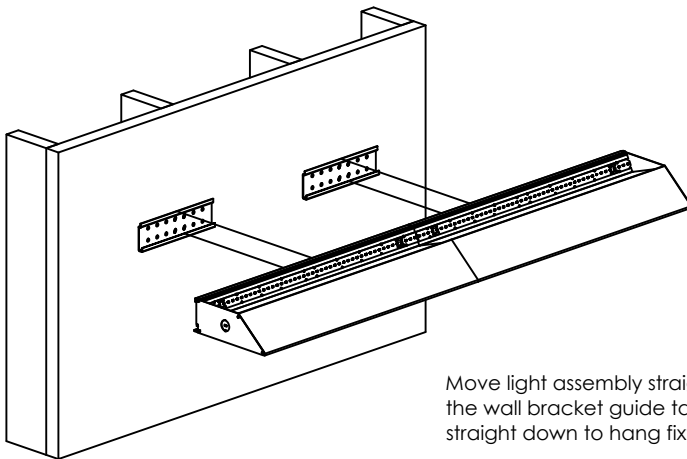
Risk of fire and electrical shock. In accordance with national local building and electrical codes, CORONET lighting fixtures must be installed by a qualified electrician. Disconnect power at electrical panel before servicing.

1



Affix bracket to finished wall and anchor to structure. Minimum 2 brackets per fixture, 3 if fixture exceeds 8'. Mark location of bracket on topside with pencil or sticker. This will be helpful for positioning/securing screws.

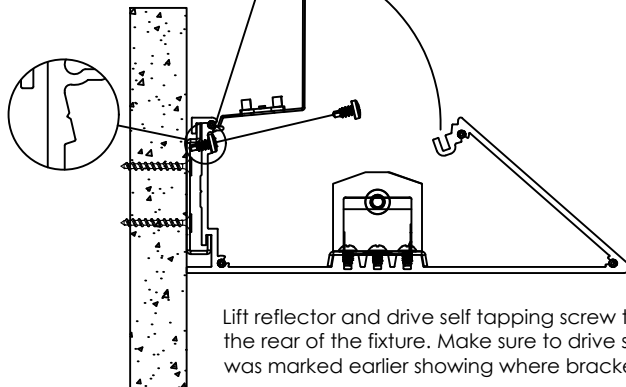
2



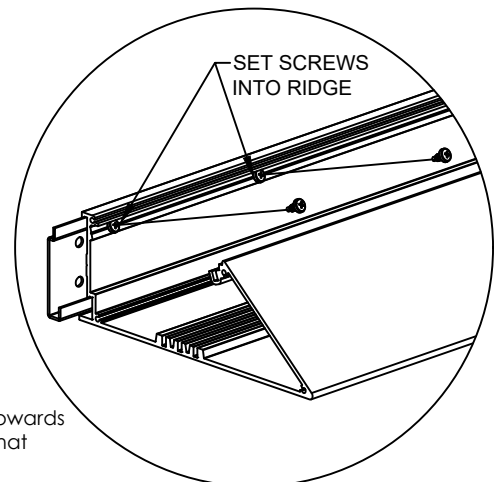
Move light assembly straight onto the wall bracket guide tabs straight down to hang fixture.

3

#8-32x $\frac{3}{8}$ " SELF-DRILLING SCREWS (BY OTHERS)



Lift reflector and drive self tapping screw through angled ridge towards the rear of the fixture. Make sure to drive screws in the location that was marked earlier showing where brackets were placed.

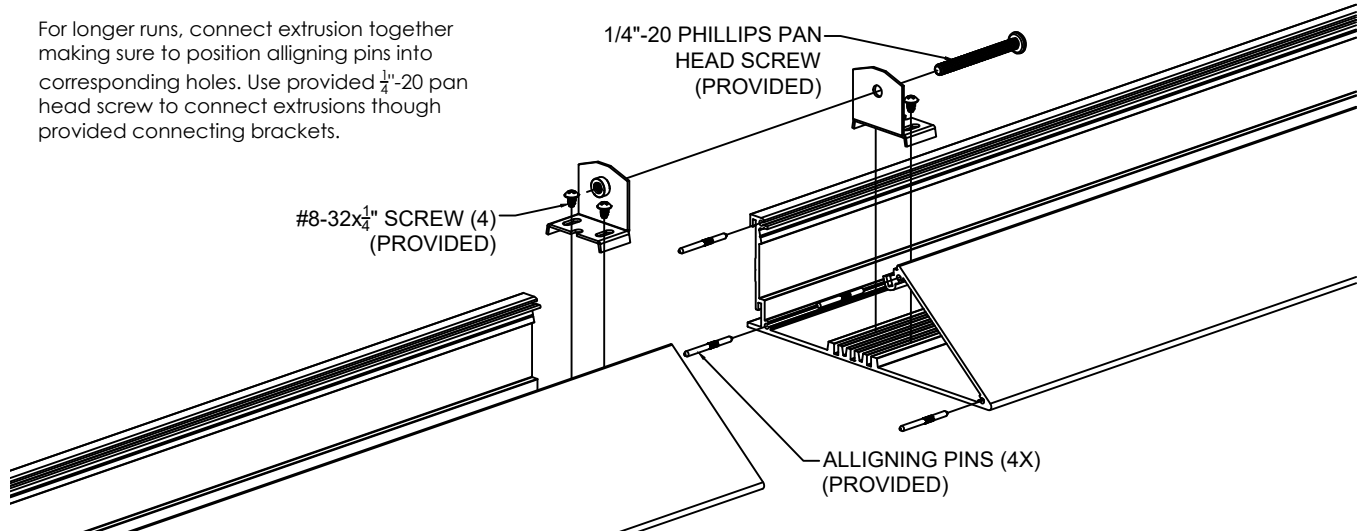




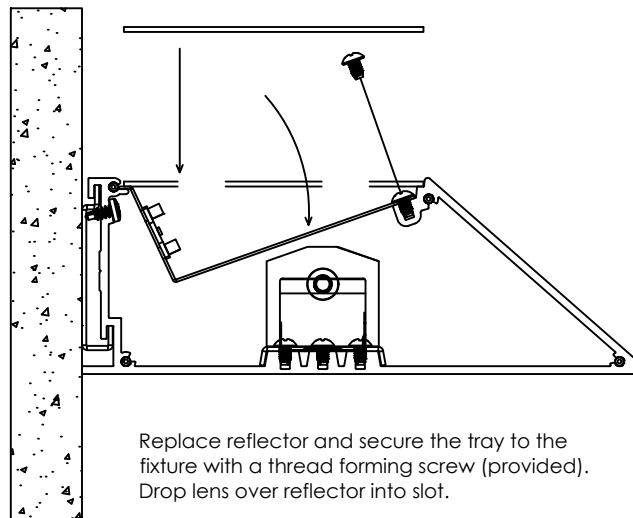
Risk of fire and electrical shock. In accordance with national local building and electrical codes, CORONET lighting fixtures must be installed by a qualified electrician. Disconnect power at electrical panel before servicing.

4

For longer runs, connect extrusion together making sure to position alligning pins into corresponding holes. Use provided 1/4"-20 pan head screw to connect extrusions through provided connecting brackets.



5



**GENERAL INSTALLATION CONSIDERATIONS** – See submittal drawings for job specific data.

- Operating Temperature.....-40°C to 50°C
- Operating Voltage.....110VAC-277VAC, 50Hz-60Hz
- Weight..... 3.75 lb/ft
- Dimensions.....See submittal drawings

- Installation by a certified electrician only.
- Read and understand the installation instructions before attempting to install or use the fixture.
- Only use fixtures with voltage for which it is rated. Do not exceed the specified voltage and current input.
- Do not use the fixture if the housing, lens, or power cable is damaged.
- Ensure that the main power supply is off before installing or wiring the fixture.
- Method of wire connection to be determined by local electrical codes and regulations.
- The external flexible cable of this luminaire cannot be field replaced; if the cord is damaged, contact Coronet.
- The light source contained in this luminaire shall only be replaced by the lighting manufacturer or his service agent or a similar qualified person.