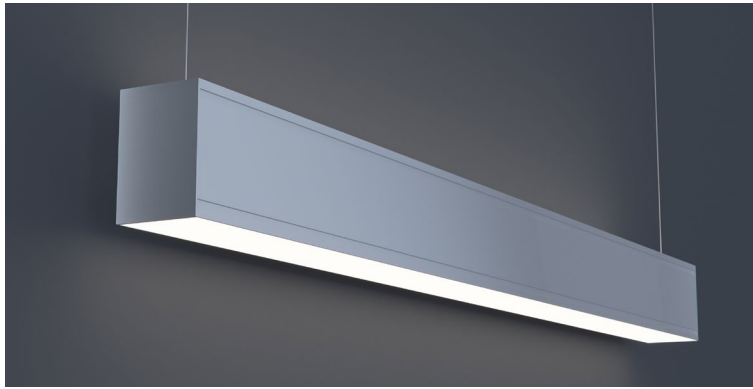


DATE \_\_\_\_\_ PROJECT \_\_\_\_\_ FIRM \_\_\_\_\_ TYPE \_\_\_\_\_



### FEATURES

- Available In Made To Measure Lengths Accurate Up To 1/16"
- Patterns Available (See Page 2)
- Damp Location Rated
- CRI 90+ Standard; R9>50
- 5 Year, 50,000 Hour Fixture Warranty
- 2700K, 3000K, 3500K, 4000K & 5000K Color Temperatures Available
- Available with PoE- [See More](#)

**APPLICATIONS** Classrooms, Offices, Lobbies, Retail Stores, Reception Areas, & Corridors

**FINISH** Standard Powder-Coated White. Custom RAL Colors Available

**CONSTRUCTION** Extruded Aluminum Housing with Die Cast Ends. Formed Steel Gear Tray

**OPTICS** Extruded High Transmission Satin Acrylic Lens with No LED Imaging. Additional Optics Available

**FIXTURE RATINGS & CERTIFICATIONS** Union Made Made In The USA DLC Listed\*  
ETL Listed Damp Location \*Not all outputs listed, consult factory



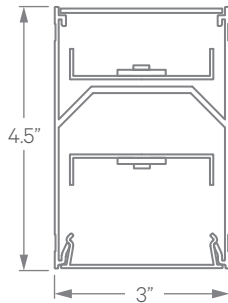
### DRIVERS, SENSORS, & POE

For Wiring Diagrams, POE, and Sensor Information Click [Here](#)



**ELECTRICAL** Integral Driver with 0-10V Dimming Standard. Several Driver Options Available

### EXTRUSION DIMENSIONS



### LED SYSTEM INFORMATION

	Nominal System Watts		Nominal Delivered Lumens		Nominal Efficacy
	DIRECT	INDIRECT	DIRECT	INDIRECT	
Standard (LTG1)	7 W/ft	7 W/ft	586 lm/ft	673 lm/ft	90 LPW
Low (LTG2)	5 W/ft	5 W/ft	417 lm/ft	505 lm/ft	92 LPW
High (LTG3)	9.5 W/ft	9.5 W/ft	729 lm/ft	918 lm/ft	86 LPW

Based on a 3500K luminaire using one driver. Custom outputs available; specify below.

### ORDERING

1	2	3	IN -	D -	5	6	7	8	IN -	D -	10	11
1	2	3	4-INDIRECT	4-DIRECT	5	6	7	8	9-INDIRECT	9-DIRECT	10	11

1 - FIXTURE ID	2 - LENGTH	3 - COLOR TEMP	4 - LED SYSTEM	5 - VOLTAGE	6 - DRIVER
<b>LS3 LED UPDN</b>	2 - 2 ft 4 - 4 ft 8 - 8 ft X'-X" - Specify Length PAT - Pattern (Consult Factory)	27 - 2700K/90 CRI 30 - 3000K/90 CRI 35 - 3500K/90 CRI 40 - 4000K/90 CRI 50 - 5000K/90 CRI WD* - Warm Dim 2200K-3000K TW** - Tunable White 2700K-6500K RGBW30*** - RGB + 3000K RGBW35*** - RGB + 3500K *Requires WD10 Driver **Requires DMX or TW10 Driver ***Requires DMX Driver	<b>IN - INDIRECT</b> LTG1 - Standard LTG2 - Low LTG3 - High LTGC - Custom Output	<b>D - DIRECT</b> LTG1 - Standard LTG2 - Low LTG3 - High LTGC - Custom Output	<b>UNV</b> - Universal (120/277V) <b>347V*</b> - 347V *Must use DB Driver
					<b>DB</b> - Standard 1% Dimming (0-10V) <b>DB.1%</b> - 0.1% Dimming (0-10V) <b>ELV-TRI</b> - 2-wire 1% Dimming (120V only) ELV and TRIAC Compatible <b>LDE1</b> - Lutron Digital EcoSystem <b>LDE5</b> - 5 Series EcoSystem; 5% Dimming <b>DALI</b> - DALI-2 Driver <b>JAB</b> - JAB Compliant 1% Dimming (0-10V) <b>PoE</b> - Power over Ethernet. Consult Factory for Compatibility <b>DMX</b> - For Color Tuning and RGBW (Remote) <b>TW10</b> - Dual Channel, 0-10V For Color Tuning (CCT and Intensity Control) <b>WD10</b> - 0-10V Driver For Warm Dimming

7 - FINISH	8 - MOUNTING	9 - OPTICS	D - DIRECT	10 - SENSORS & CONTROLS (OPTIONAL)	11 - OTHER OPTIONS
<b>W</b> - White (Standard) <b>BLK*</b> - Black <b>CC*</b> - Custom Color (provide RAL number)** <b>CWF*</b> - Custom Wood Finish (provide color**)	<b>AC</b> - Aircraft Cable (50") <b>WM</b> - Wall Mount <b>PS-X*</b> Pendant Stem (12", 18", 24", 36", 48")	<b>IN - INDIRECT</b> SD - Standard Diffuser BW - 70° Batwing AVI-BW - 140° AVI-OPTIC Batwing ASYM - Asymmetric Optic POL - Pop-Out Lens (.25")	<b>D - DIRECT</b> SD - Standard Diffuser WW - Wall Wash Reflector ASYM - Asymmetric Optic POL - Pop-Out Lens (1")	<b>EIS</b> - Enlighted Sensor <b>WISD</b> - Wattstopper Daylight Sensor <b>WISM</b> - Wattstopper Occupancy Sensor <b>ECS</b> - Eaton WaveLinX Sensor <b>ACM</b> - Acuity nLight Module Only <b>ACS</b> - Acuity nLight Sensor <b>CCS</b> - Casambi Module <b>TRI</b> - Occupancy/Daylight Sensor	<b>DC</b> - Dual Circuit (Separate Up/Dn Control) <b>EM 120V</b> - Emergency Pack <b>EM 277V</b> - Emergency Pack <b>EMCKT</b> - Emergency Circuit

\*White cord and canopy provided. Must specify for other requests.  
\*\*(See [here](#) for finish options)

NOTE: For other control systems not listed consult factory.

Updated: 10/15/2020

DATE

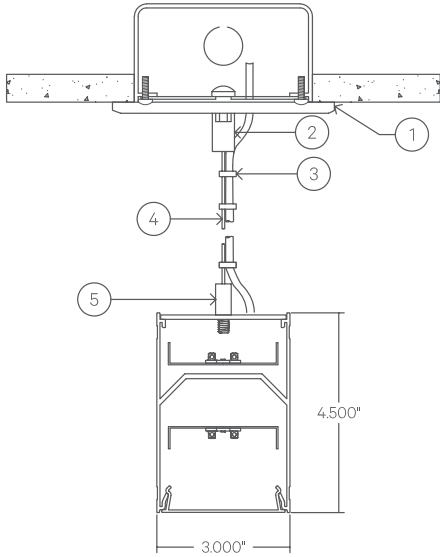
PROJECT

FIRM

TYPE

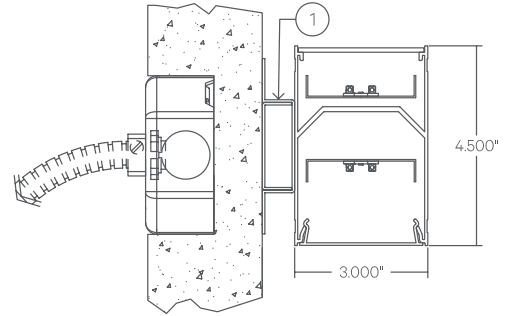
## MOUNTING OPTIONS

### AC - Air Craft Cable (50")



- 1 - 5" Round Canopy (Standard White Finish)
- 2 - Canopy Retainer
- 3 - SJT Cord (Standard White)
- 4 - Air Craft Cable
- 5 - Gripper

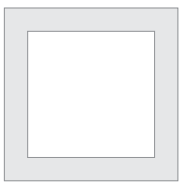
### WM - Wall Mount



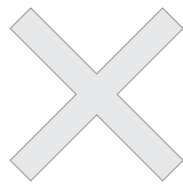
- 1 - 0.75" Wall Mount Bracket

## PATTERNS

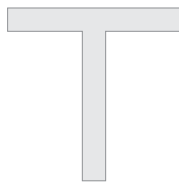
Patterns feature illuminated corners and angles. **Must consult factory for custom corners, patterns and elevations.**



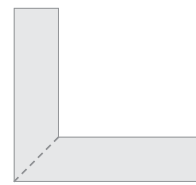
Square Patterns



X Patterns



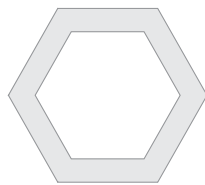
T Patterns



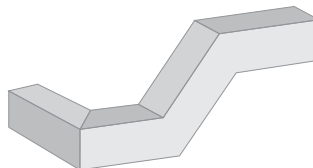
Mitered



Custom Angles



Custom Patterns



Custom Elevations

## LENS CUT

Updated: 10/15/2020

DATE

PROJECT

FIRM

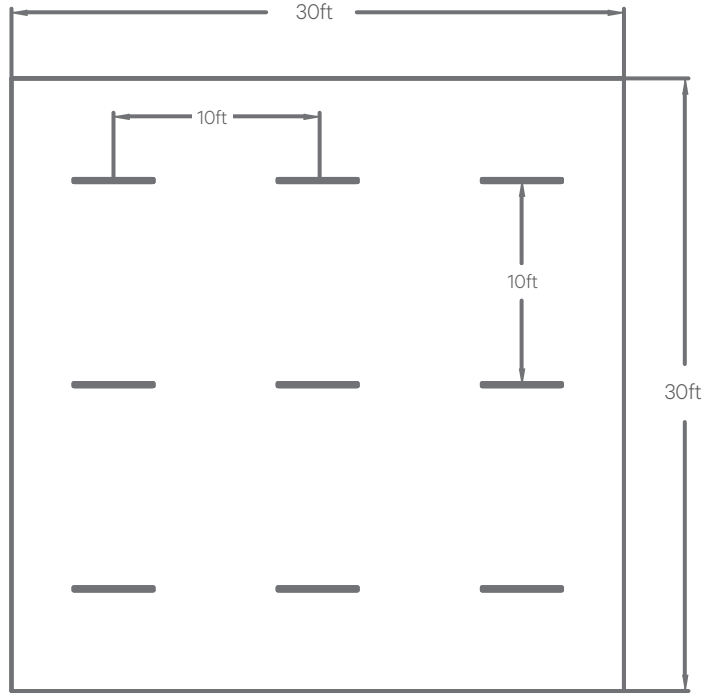
TYPE

### Sample Fixture Layout:

Classroom Size: 30ft x 30ft  
 Ceiling Height: 9.5ft AFF  
 Mounting Height: 8ft AFF  
 Reflectances: 80/50/20  
 Luminaire: LS3 EDU UPDN 4FT 3500K LTG1 LTG1 DB  
 Wattage: 14W/ft  
 Lumen Output: 1,270lm/ft

### Target Levels:

Avg. Foot Candles: 35-50fc  
 Unified Glare Rating: <19



### Calculations:

19	18	19	20	20	19	18	19	19	19	17	10	10	10	10
21	19	20	21	22	21	19	20	21	21	20	10	10	10	10
21	19	20	21	22	21	19	20	21	21	20	10	10	10	10
21	19	20	21	22	21	19	20	21	21	20	10	10	10	10
20	19	20	21	21	20	19	20	20	20	18	10	10	10	10
20	19	20	21	21	20	19	20	20	20	18	10	10	10	10
21	19	20	21	22	21	19	20	21	21	20	10	10	10	10
21	19	20	21	22	21	19	20	21	21	20	10	10	10	10
21	19	20	21	22	21	19	20	21	21	20	10	10	10	10
20	19	20	21	21	20	19	20	20	20	18	10	10	10	10
20	19	20	21	21	20	19	20	20	20	18	10	10	10	10
21	19	20	21	22	21	19	20	21	21	20	10	10	10	10
21	19	20	21	22	21	19	20	21	21	20	10	10	10	10
21	19	20	21	22	21	19	20	21	21	20	10	10	10	10
19	18	19	20	20	19	18	19	19	19	17	10	10	10	10

UGR: 17.06

19.9	25.1	28.3	28.2	27.0	27.4	29.5	30.9	29.5	27.3	26.9	28.1	28.2	25.1	19.9
25.0	34.5	39.9	38.2	34.1	34.6	39.6	42.8	39.6	34.6	34.1	38.1	39.9	34.4	25.0
29.8	41.3	48.5	45.3	39.2	39.7	46.9	51.7	46.9	39.7	39.1	45.2	48.4	41.2	29.8
29.1	38.2	44.0	42.4	38.4	38.9	44.1	47.4	44.0	38.9	38.3	42.3	43.9	38.1	29.1
27.0	33.4	37.4	37.5	36.2	36.7	39.3	40.9	39.3	36.7	36.1	37.5	37.3	33.3	27.0
27.5	33.9	37.9	38.1	36.8	37.3	40.0	41.5	39.9	37.3	36.7	38.0	37.9	33.8	27.5
30.5	39.9	45.8	44.2	40.4	40.9	46.1	49.4	46.1	40.9	40.2	44.1	45.7	39.8	30.5
32.6	44.5	52.0	48.8	42.9	43.5	50.7	55.5	50.7	43.4	42.8	48.7	51.7	44.3	32.6
30.5	39.9	45.8	44.3	40.4	41.0	46.2	49.4	46.1	40.9	40.3	44.2	45.7	39.8	30.5
27.5	33.9	38.0	38.1	36.8	37.4	40.0	41.6	40.0	37.4	36.7	38.1	37.9	33.9	27.5
27.1	33.5	37.5	37.6	36.2	36.8	39.5	41.0	39.4	36.8	36.2	37.6	37.5	33.4	27.1
29.1	38.4	44.1	42.5	38.5	39.1	44.3	47.6	44.2	39.1	38.5	42.4	44.1	38.3	29.1
29.9	41.4	48.6	45.4	39.4	39.9	47.2	51.9	47.1	39.8	39.3	45.4	48.6	41.4	29.9
25.9	34.6	40.0	38.2	34.3	34.7	39.8	43.0	39.7	34.7	34.3	38.2	40.0	34.5	25.9
20.0	25.2	28.4	28.3	27.0	27.4	29.6	30.9	29.6	27.4	27.0	28.2	28.3	25.2	20.0

AVG FC: 37.50