

# Adjustable Downlight Recessed

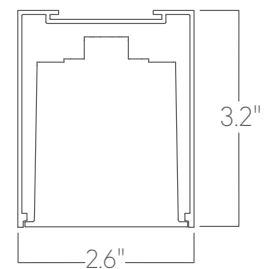


Adjustable, four-optic downlight module available with several beam spreads.

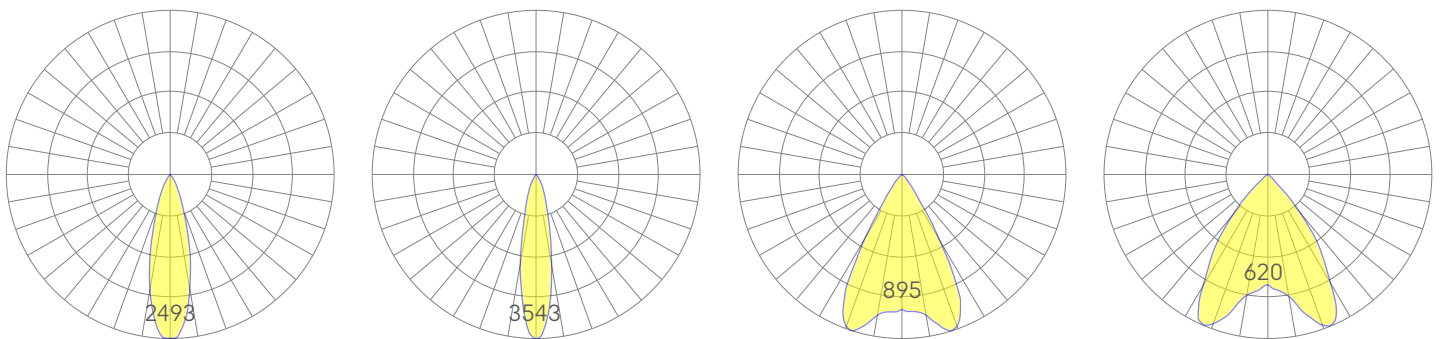
## Features

- Four beam spreads available
- Beams adjustable up to 30° in all directions
- 8" in length
- Extruded, recycled, premium aluminum housing
- Aluminum core LED boards, specifiable optics
- Specifiable color temperature. CRI > 90, R9 >50
- 5 Year, 50,000 hour warranty, damp location rated

## Dimensions



## Optics



Representative distribution and peak candela. For other options see order information or IES files [here](#).

# Adjustable Downlight Recessed

## Ordering Information

-  -  -  -  -  -  -

1      2      3      4      5      6      7      8

Example: DL ADJ SA - 35 - MED - W - DB - UNV - SM - WFL - W

<b>Fixture ID</b> <input type="text" value="1"/>	<b>Color Temperature</b> <input type="text" value="2"/>	<b>Output</b> <input type="text" value="3"/>	<b>Driver</b> <input type="text" value="4"/>
<b>DLR ADJ SA</b>	<b>27</b> 2700K/90 CRI <b>30</b> 3000K/90 CRI <b>35</b> 3500K/90 CRI <b>40</b> 4000K/90 CRI	<b>LOW</b> Low output <b>MED</b> Medium output <b>HIGH</b> High output	<b>DB</b> Standard 0-10V 1% <b>DB.1%</b> 0-10V 0.1% <b>PoE</b> Power over Ethernet
<b>Voltage</b> <input type="text" value="5"/>	<b>Mounting</b> <input type="text" value="6"/>	<b>Beam Spread</b> <input type="text" value="7"/>	<b>Finish</b> <input type="text" value="8"/>
<b>UNV</b> Universal (120/277V)	<b>T</b> 9/16" Tee Grid <b>T15</b> 15/16" Tee Grid <b>SG</b> Slot Grid/Interlude <b>F</b> Flange <b>NT</b> Mud-in Flange	<b>SP</b> 20° Beam; 3569 CBCP <b>FL</b> 30° Beam; 2542 CBCP <b>WFL</b> 62° Beam; 702 CBCP <b>XWFL</b> 80° Beam; 379 CBCP	<b>BLK</b> Black <b>W</b> White

All drivers are remote. For remote driver box sizes, click here.

\*Trim is white, nodes and plate must be black.

## Performance

Output <sup>1</sup>	Watts	Lumens
Low	9	562
Medium	12	728
High	16.75	908

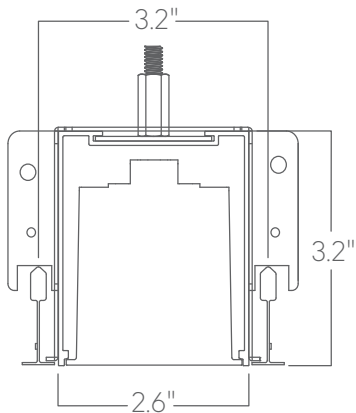
Based on 'SP' beam spread, 90 CRI, 3500K luminaire using one driver.

<sup>1</sup>For 4000k, multiply by 1.05; for 3000k, 0.96; for 2700k, 0.92.

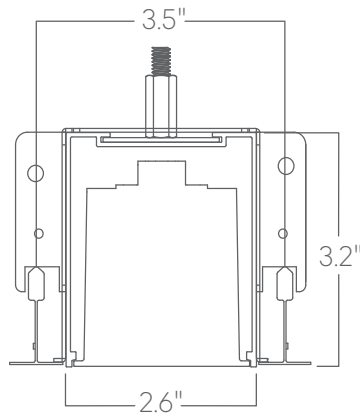
# Adjustable Downlight Recessed

## Mounting Options

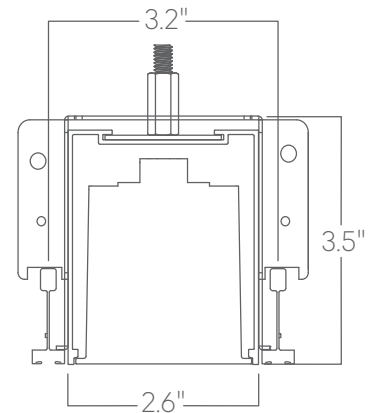
Custom mounting types and ceiling transitions available; consult factory.



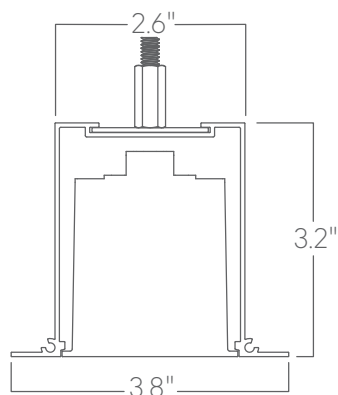
**T**  
9/16" tee grid



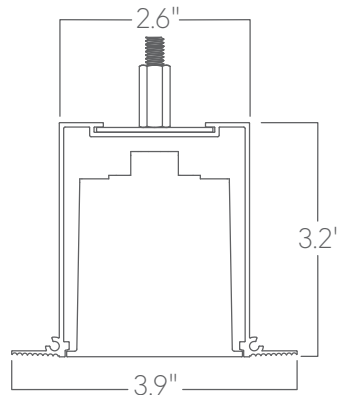
**T15**  
15/16" tee grid



**SG**  
slot grid



**F**  
flange



**NT**  
mud-in<sup>1</sup>

<sup>1</sup>Installation that alters aperture width compromises lens security. Installer must ensure aperture width is maintained.