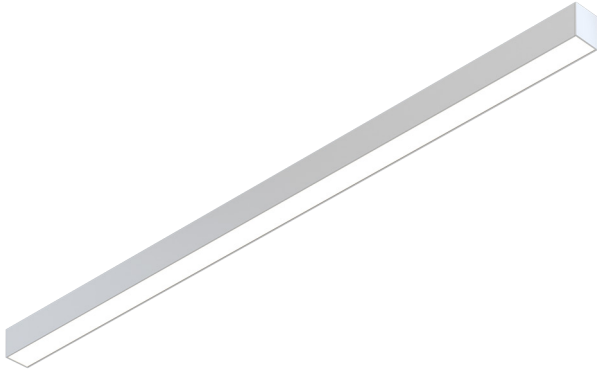


LS1 Low Profile direct

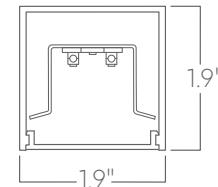


The LS Series of architectural luminaires offers a wide range of profiles and mounting options. Custom lengths and patterns are tailored to suit any modern space.

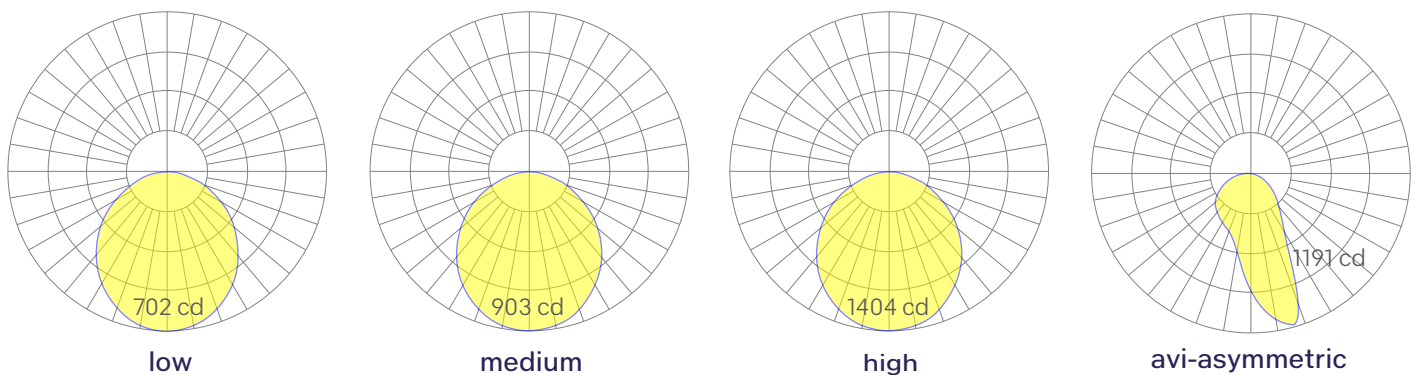
Features

- Extruded, recycled aluminum housing
- Aluminum core LED boards, specifiable optics
- Specifiable color temperature. CRI > 90, R9 >50
- Custom lengths, welded patterns, and finishes available
- Specifiable dimmable drivers or PoE
- 5 Year, 50,000 hour warranty, damp location rated
- WELL Building Standard compatible [learn more](#)

Dimensions



Optics



Representative distribution and peak candela. For other options see order information or IES files [here](#).

LS1 Low Profile direct

Ordering Information



Example: LS1 LP - 8 - 35 - MED - UNV - DB - W - AC - FL - CCS - DAYCKT - NA

Fixture ID <input type="text" value="1"/>	Length <input type="text" value="2"/>	Color Temperature <input type="text" value="3"/>	Output <input type="text" value="4"/>
LS1 LP	2 2 ft 4 4 ft 8 8 ft X'-X" Specify Length ¹ PAT Pattern (Consult Factory)	27 2700K/90 CRI 30 3000K/90 CRI 35 3500K/90 CRI 40 4000K/90 CRI 50 5000K/90 CRI WD ¹ Warm Dim 2200K-3000K TW ² Tunable White 2700K-6500K	LOW Low output MED Medium output HIGH High output CUST Custom output ¹
<small>¹Precision lengths may be specified to the nearest 1/8". All lengths are nominal unless specified to be exact.</small>			
<small>¹Must use WD10 driver. ²Must use TW10 or PSQdriver.</small>		<small>¹consult factory</small>	
Voltage <input type="text" value="5"/>	Driver <input type="text" value="6"/>	Finish <input type="text" value="7"/>	Mounting <input type="text" value="8"/>
UNV Universal (120/277V) 347V 347V	DB Standard 0-10V 1% DB.1% 0-10V 0.1% ELV ² Reverse Phase 1% (120V only) TRI ² Forward phase (120V only) LDE1 Lutron Digital EcoSystem DALI DALI-2 Driver PoE Power over Ethernet. DMX ¹ DMX512	W White BLK Black SLV Silver CC ¹ Custom Color CWF ¹ Custom Wood Finish	AC Aircraft Cable (50") AC3.5 3.5" canopy + jbox adaptor ¹ ACPC Aircraft cable to Conduit SMHC Pipe Canopy SMTB Surface Mount, Hard ceiling WM Wall Mount PS-X Pendant Stem (12", 18", 24", 36", 48")
<small>¹Set to default address 001. Contact us for other addressing needs. ²For compatible dimmers, click here.</small>		<small>¹Adaptor must be mudded-in. White stems and canopy provided unless otherwise specified in options (section 12).</small>	
<small>¹Must use DB Driver</small>	<small>All drivers remote</small>	<small>¹Custom Color. See finish options here. White SJ cord and canopy provided; for other requests, see section 12 to specify.</small>	
Optics <input type="text" value="9"/>	Sensors/Controls <input type="text" value="10"/>	Circuit <input type="text" value="11"/>	Options <input type="text" value="12"/>
FL Flat diffuser AVI ASY Asymmetric optic	NA None ACM Acuity nLight Module Only CCS Casambi Module AWN Lutron Athena Wireless Node Module	NA None EMPCK Emergency Battery Pack EMCKT Emergency Circuit DAYCKT Daylight Circuit	STD White Canopy + White Cord CAN-X ¹ Canopy + color SJ-X ² SJ Cord + color
<small>Consult factory for other options.</small>			
<small>¹See finish options here. ²SJ Cord only available in White or Black.</small>			

Performance

Output ¹	Watts/ft	Lumens/ft	LPW
Low	5	474	95
Medium	7	677	97*
High	10	948	95

¹Based on a typically configured 90 CRI, 3500K luminaire using one driver. Custom outputs available. Please consult factory.
For 4000K multiply by 1.05, for 3000K 0.96, for 2700K, 0.92.

*80 CRI equivalent 115 LPW

Technical Information



click [here](#) or scan QR code

Wiring diagrams, PoE and sensor details

Modification date: July, 2023

Page 2 of 4

LS1 Low Profile direct

Drivers & Electrical

Remote, dimmable drivers are supplied in enclosures. For remote driver box sizes, click [here](#).

Emergency Back-Up

For fixtures three-feet or longer, a 4W integral emergency driver may be wired to 4ft sections. 7W, 10W, and 12W drivers are also available (not all integral; consult factory). Emergency circuits for use with building generators are also available.

PoE (Power over Ethernet)

Compatible with virtually all PoE systems including Molex Coresync, Igor, Smartengine, Platformatics, and NuLED SPICEbox. Consult Factory for systems not listed, See [here](#) for more info.

Finishes

All luminaires are finished in high quality polyester powder coating. Our standard color is white. Any RAL color may be specified.

Weight

3 lbs per foot.

Optics

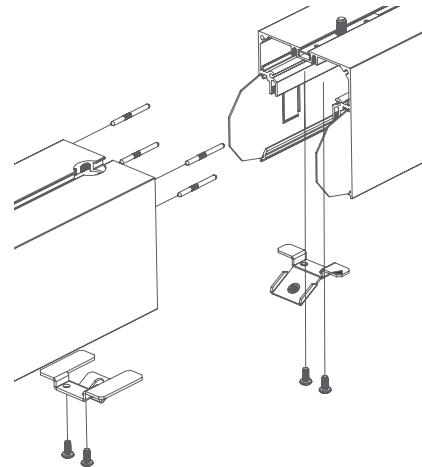
Extruded satin acrylic lenses provide excellent diffusion, high transmission, and no LED imaging. Black Optic and glare-free, beam-controlling TIR optics are available for some models.

Construction

Extruded, recycled aluminum housing.

Joined Runs

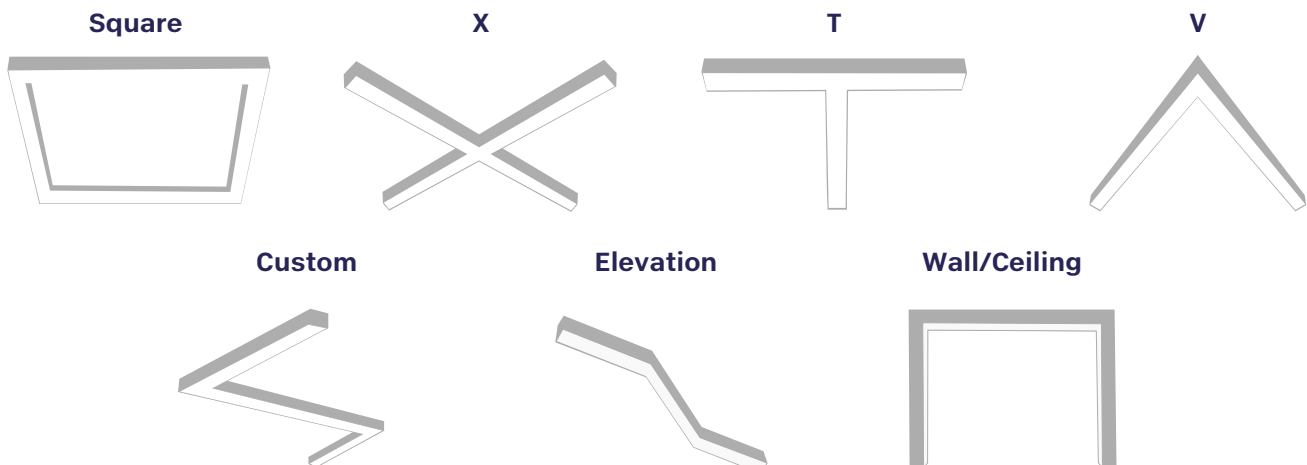
Runs of any length may be specified and are comprised of multiple, factory-engineered, joined sections. Individually specified luminaires are not field joinable.



Representative joinery. For product specific details see installation guides or submittal drawings.

Patterns

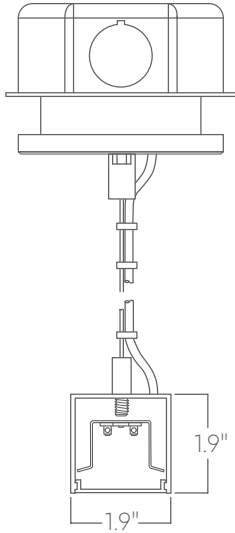
Featuring illuminated welded corners and angles. Consult factory for custom designs and elevations.



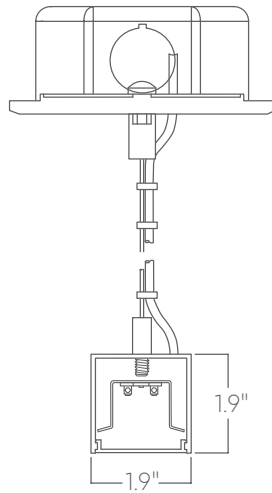
LS1 Low Profile direct

Mounting Options

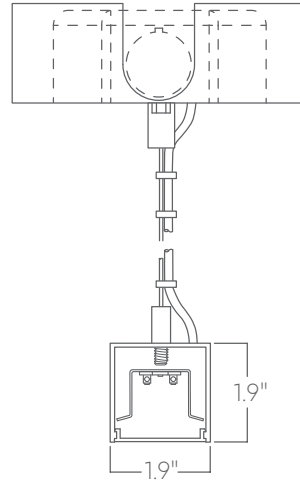
Custom mounting types and ceiling transitions available; consult factory.



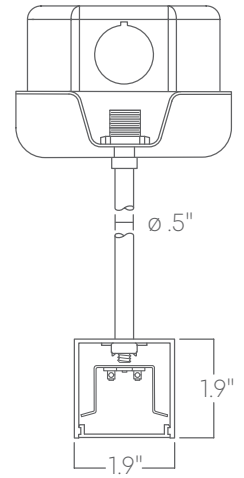
**Aircraft cable
3.5" canopy**



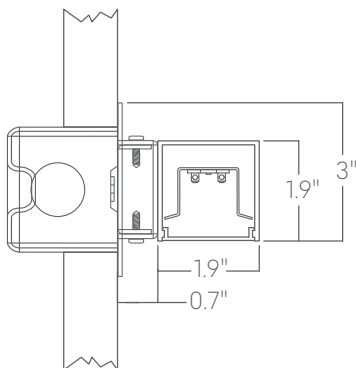
**Aircraft cable
5" canopy**



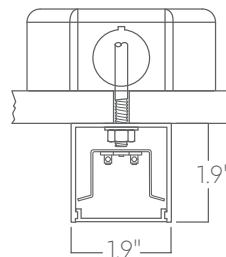
**Aircraft cable
Conduit canopy
with knockouts**



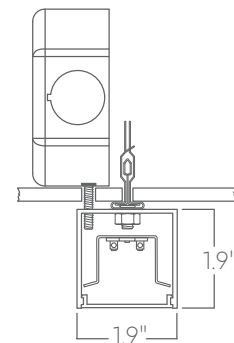
Pendant stem



Wall mount



**Surface mount
Hard Ceiling**



**Surface mount
T Bar clip**