

LSR2 Curve recessed

>90 CRI
up to
95
lumens / watt

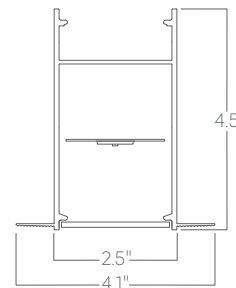


The LS Series of architectural luminaires offers a wide range of profiles and mounting options. Custom lengths and patterns are tailored to suit any modern space.

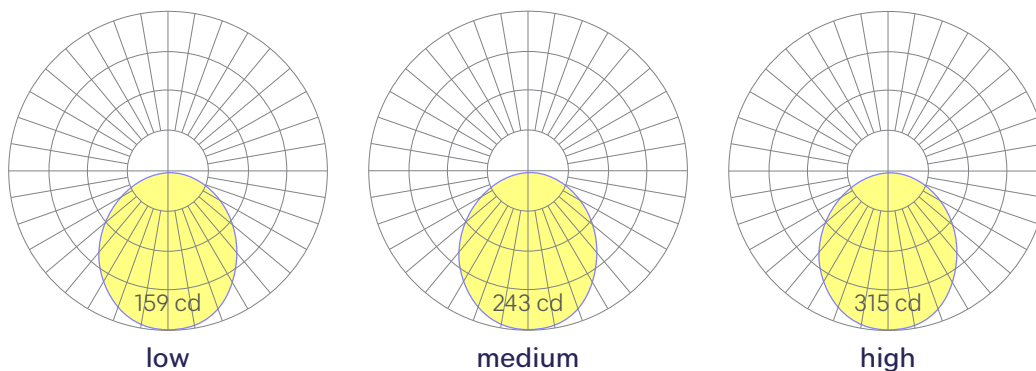
Features

- Living Building Challenge Declare listed. Red List Free optional.
- Standard or custom radii and angles + optional straight sections
- Extruded recycled aluminum housing
- Configured patterns and finishes available
- Specifiable color temperature. CRI > 90, R9 > 70
- 5 Year, 50,000 hour warranty, damp location rated
- WELL Building Standard compatible [learn more](#)

Dimensions



Optics



Representative distribution and peak candela. For other options see order information or IES files [here](#).

LSR2 Curve recessed

Ordering Information

For each option group below specify one option. If you don't see your preferred option listed, contact us for [help](#).

| 1 Fixture ID | 2 Length | 3 Color Temperature | 4 Output |
|---------------------------------|--|--|--|
| LSR2.CURVE | 90° 135° X° Custom Angles Drawing required; consult factory. Refer to page 5. | 27 2700K/90 CRI 30 3000K/90 CRI 35 3500K/90 CRI 40 4000K/90 CRI 50 5000K/90 CRI TW Tunable White 2700K-6500K Must use TW10 driver. RGBW30 RGB +white, 3000k Must use remote DMX driver. High output not available. RGBW35 RGB +white, 3500k Must use remote DMX driver. High output not available. RGBW40 RGB +white, 4000k Must use remote DMX driver. High output not available. | LOW Low output MED Medium output HIGH High output CUST Custom output Specify watts or lumens |
| 5 Voltage | 6 Driver | 7 Finish | 8 Mounting |
| UNV Universal (120/277V) | DB Standard 0-10V 1% DB.1% 0-10V 0.1% ELV Reverse Phase 1% (120V only) For compatible dimmers see here . TRI Forward phase (120V only) For compatible dimmers see here . LDE Lutron Digital EcoSystem DALI DALI-2 Driver PoE Power over ethernet. TW10 Dual channel, 0-10V for tunable white. DMX DMX512 All DMX drivers set to default address 001 and provided in remote enclosures. Contact us for other addressing needs | W White BLK Black SLV Silver CC Custom Color See finish options here . CWF Custom Wood Finish See finish options here . | NT Mud-In Flange |
| 9 Optics | 10 Sensors/Controls | 11 Circuit | 12 Options |
| FL Flat Diffuser | NA None EIS Enlighted sensor WISM Wattstopper Occupancy WISD Wattstopper Daylight ACM Acuity nLight® module only ACS Acuity nLight® (nES 7) ACA Acuity nLight® AIR (rES 7) CCS Casambi module AWNRR Lutron Athena Wireless Node module AWNS Lutron Athena Wireless Sensor module OTHER Consult factory | NA None EMPCK Emergency battery pack EMCKT Emergency circuit May require additional power feeds. DAYCKT Daylight circuit May require additional power feeds. | NA None WH 6ft whips CP Chicago Plenum RLF Red List Free Fixture |

Performance

| Output ¹ | Watts/ft | Lumens/ft | LPW |
|---------------------|----------|-----------|-----|
| Low | 3.5 | 341 | 97 |
| Medium | 5.5 | 520 | 94 |
| High | 7.5 | 673 | 90 |

¹Based on a typically configured 90 CRI, 3500K luminaire using one driver.
 Custom outputs available. Please consult factory.
 For 4000K multiply by 1.05; for 3000K, 0.9%; for 2700K, 0.92.

Technical Information



click [here](#) or scan QR code

Wiring diagrams, PoE and sensor details

LSR2 Curve recessed

Drivers & Electrical

Integral drivers* with 0-10V Dimming standard. Several other driver options available; see ordering information.

*DMX drivers are provided in remote enclosures.

Emergency Back-Up

For fixtures three-feet or longer, a 6W emergency driver may be wired to 4ft sections. A 10W driver is also available (consult factory). Emergency circuits for use with building generators are also available.

PoE (Power over Ethernet)

Compatible with virtually all PoE systems including Molex Coresync, Igor, Smartengine, Platformics, and NuLED SPICEbox.

Consult factory for systems not listed. See [here](#) for more info.

Finishes

All luminaires are finished in high quality polyester powder coating. Our standard color is white. Any RAL color may be specified.

Weight

3 lbs per foot

Optics

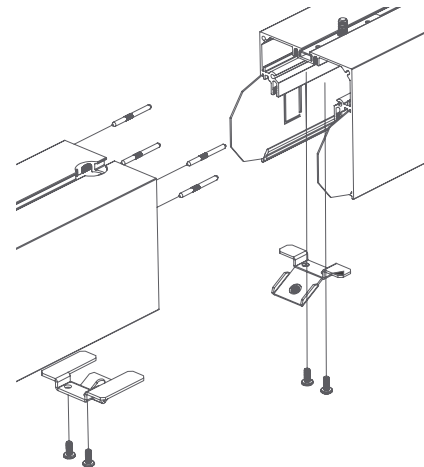
Extruded satin acrylic lenses provide excellent diffusion, high transmission, and no LED imaging.

Construction

Housings are extruded premium, recycled aluminum. Individual fixtures are available up to 12' long and may be specified as nominal or precision lengths. Precision lengths are supplied within 1/8" tolerance.

Joined Runs

Runs of any length may be specified and are comprised of multiple, factory-engineered, joined sections. Individually specified luminaires are not field joinable.

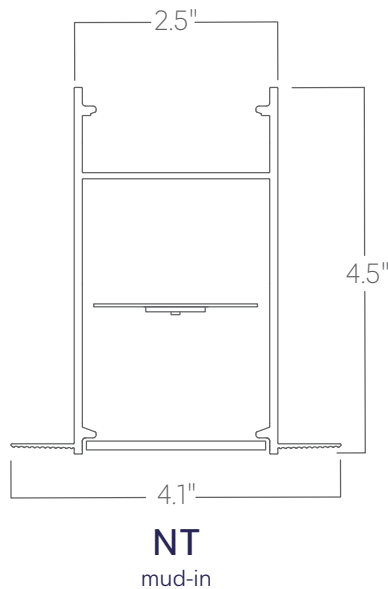


Representative joinery. For product specific details see installation guides or submittal drawings.

LSR2 Curve recessed

Mounting Options

Custom mounting types and ceiling transitions available; consult factory.



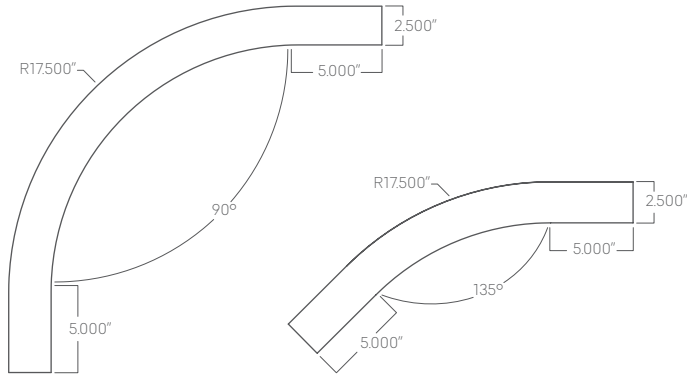
Please consult factory shop drawings for suspension points.

To prevent damage to fixtures, factory designated suspension points must not be field altered.

Do not attempt installation if you do not understand the installation instructions.

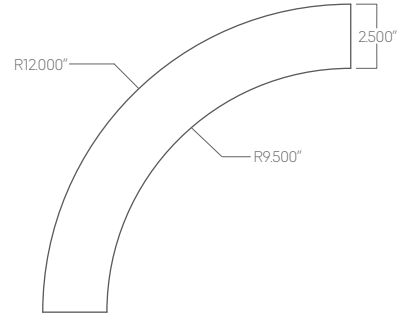
LSR2 Curve recessed

Dimensions



Smallest Curve Available

Please note the smallest curve fixture we can manufacture, shown below.



Example Patterns

