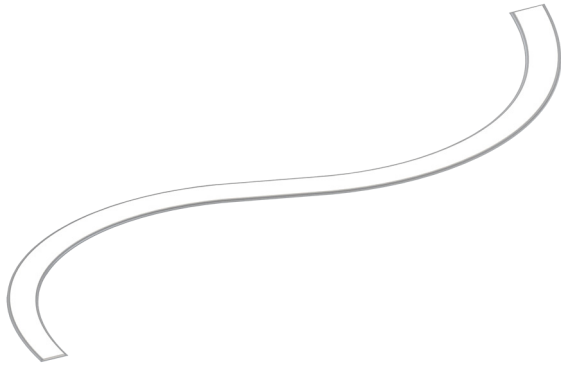


# LSR Curve recessed

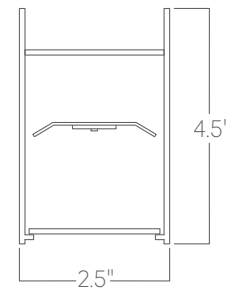


The LS Series of architectural luminaires offers a wide range of profiles and mounting options. Custom lengths and patterns are tailored to suit any modern space.

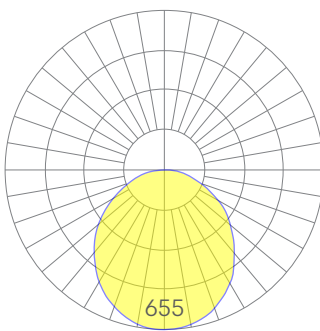
## Features

- Extruded recycled aluminum housing
- Specifiable color temperature. CRI > 90, R9 >50
- Custom lengths, welded patterns, and finishes available
- 5 Year, 50,000 hour warranty
- WELL Building Standard compatible [learn more](#)

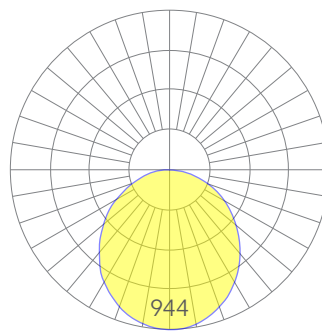
## Dimensions



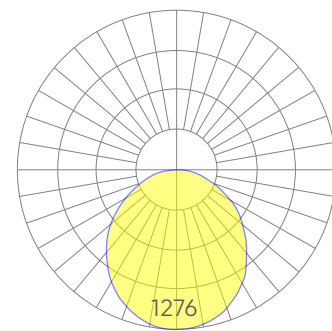
## Optics



low



medium



high

Representative distribution and peak candela. For other options see order information or IES files [here](#).

# LSR Curve recessed

## Ordering Information



Example: LSR CURVE - 90° - 30K - MED - UNV - DB - W - AC - SD - ACS - NA

Fixture ID	1	Size	2	Configuration	3	Color Temperature	4
LSR CURVE		90° 135° X° Custom Angles <sup>1</sup>		*Drawing required; consult factory. Refer to page 5.		27 2700K/90 CRI 30 3000K/90 CRI 35 3500K/90 CRI 40 4000K/90 CRI	
		<small><sup>1</sup>Consult factory.</small>					
Output	5	Voltage	6	Driver	7	Finish	8
LOW Low output MED Medium output HIGH High output CUST Custom output <sup>1</sup>		UNV Universal (120/277V) 347V <sup>1</sup>		DB Standard 0-10V 1% DB.1% 0-10V 0.1% ELV 2-wire 1% (120V only) TRI Forward phase (120V only) LDE1 Lutron Digital EcoSystem DALI DALI-2 Driver PoE Power over Ethernet. DMX <sup>1</sup> DMX512		W White BLK Black CC <sup>1</sup> Custom Color CWF <sup>1</sup> Custom Wood Finish	
<small><sup>1</sup>consult factory</small>		<small><sup>1</sup>Must use DB Driver</small>		<small><sup>1</sup>Set to default address 001. RDM capable. Contact us for other addressing needs.</small>		<small><sup>1</sup>Custom Color. See finish options <a href="#">here</a>. White SJ cord and canopy provided; for other requests, see section 12 to specify.</small>	
Mounting	9	Optics	10	Sensors and Controls	11	Circuit	12
NT Mud-in Flange		SD Standard Diffuser		NA None ACM Acuity nLight Module Only CCS Casambi Module		NA None EM120V Emergency Pack EM277V Emergency Pack EMCKT Emergency Circuit DAYCKT Daylight Circuit	
				<small>Consult factory for other options.</small>			

## Performance

Output (uplight) <sup>1</sup>	Watts/ft	Lumens/ft
Low	5	355
Medium	7	475
High	10	641

Based on a typically configured 90 CRI, 3500K luminaire using one driver<sup>2</sup>

<sup>1</sup>Custom outputs available. Please consult factory.  
<sup>2</sup>For 4000k, multiply by 1.05; for 3000k, 0.96; for 2700k, 0.92.

## Technical Information



click [here](#) or scan QR code

Wiring diagrams, PoE and sensor details

Modification date: November, 2021

Page 2 of 5

# LSR Curve recessed

## Drivers & Electrical

Integral drivers\* with 0-10V Dimming standard **typical**; some custom curve angles call for drivers to be remote. Several other driver options available; see ordering information.

\*Drivers DMX drivers are provided in remote enclosures.

## Sensors & Controls

Sensors are installed on an aluminum plate adjacent to the luminaire lens<sup>1</sup>. Coronet remains agnostic in our approach to sensors and control systems; our fixtures are compatible with most systems offered.

<sup>1</sup>Not applicable to indirect only models. Consult factory.

## Emergency Back-Up

For fixtures three-feet or longer, a 4W integral emergency driver may be wired to 4ft sections. 7W, 10W, and 12W drivers are also available (not all integral; consult factory). Emergency circuits for use with building generators are also available.

## PoE (Power over Ethernet)

Compatible with virtually all PoE systems including Molex Coresync, Igor, Smartengine, Platformatics, and NuLED SPICEbox. Consult Factory for systems not listed, See [here](#) for more info.

## Finishes

All luminaires are finished in high quality polyester powder coating. Our standard color is white. Any RAL color may be specified.

## Weight

3 lbs per foot

## Optics

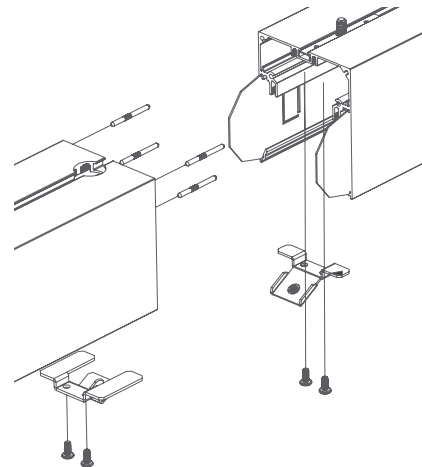
Extruded satin acrylic lenses provide excellent diffusion, high transmission, and no LED imaging.

## Construction

Housings are extruded premium, recycled aluminum. Individual fixtures are available up to 12' long and may be specified as nominal or precision lengths. Precision lengths are supplied within 1/8" tolerance.

## Joined Runs

Runs of any length may be specified and are comprised of multiple, factory-engineered, joined sections. Individually specified luminaires are not field joinable.

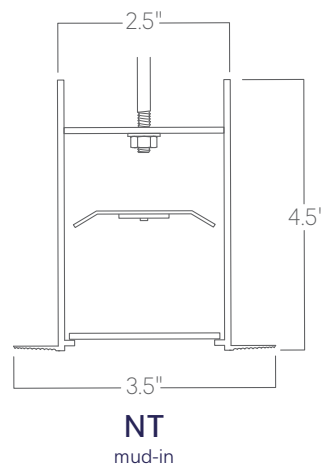


Representative joinery. For product specific details see installation guides or submittal drawings.

# LSR Curve recessed

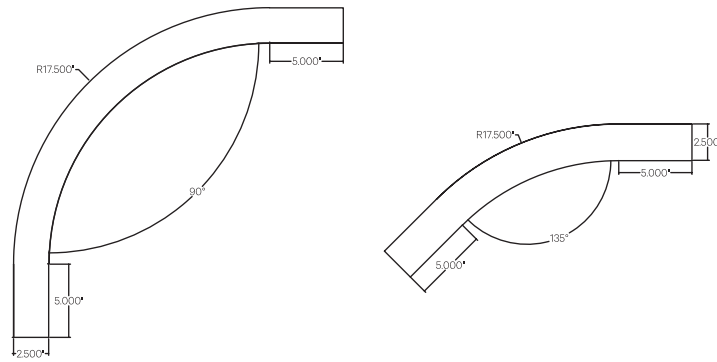
## Mounting Options

Custom mounting types and ceiling transitions available; consult factory.



# LSR Curve recessed

## Dimensions



## Example Patterns

