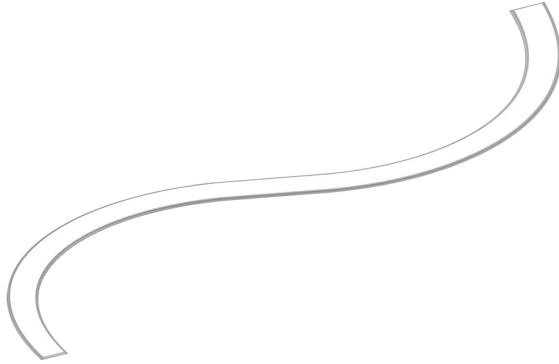


LSR Curve recessed

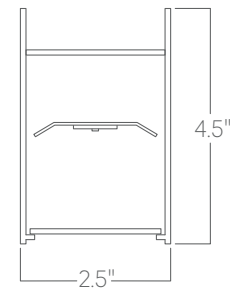


The LS Series of architectural luminaires offers a wide range of profiles and mounting options. Custom lengths and patterns are tailored to suit any modern space.

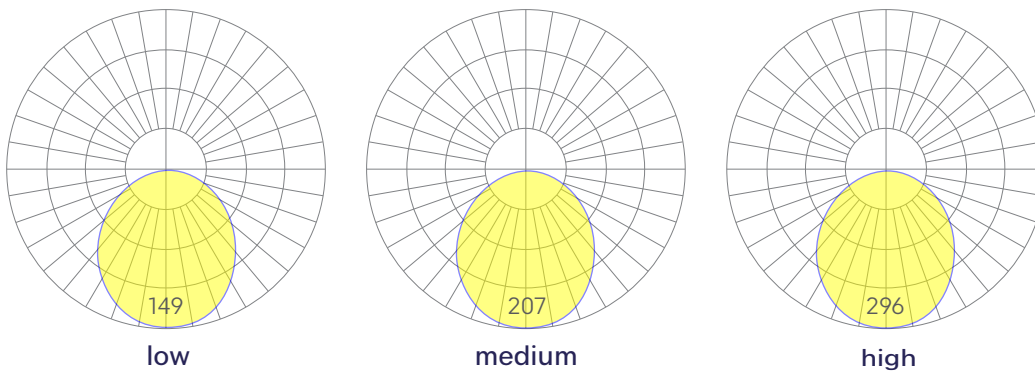
Features

- Standard or Custom radii and angles + optional straight sections
- Extruded recycled aluminum housing
- Configured patterns and finishes available
- Specifiable color temperature. CRI > 90, R9 >50
- 5 Year, 50,000 hour warranty, damp location rated
- WELL Building Standard compatible [learn more](#)

Dimensions



Optics



Representative distribution and peak candela. For other options see order information or IES files [here](#).

LSR Curve recessed

Ordering Information



Example: LSR CURVE - 90° - 30K - MED - UNV - DB - W - NT - FL - ACM - NA - WH

Fixture ID <input type="text" value="1"/>	Size <input type="text" value="2"/>	Color Temperature <input type="text" value="3"/>	Output <input type="text" value="4"/>
LSR CURVE	90° 135° X° Custom Angles <small>Drawing required, consult factory. Refer to page 5.</small>	27 2700K/90 CRI 30 3000K/90 CRI 35 3500K/90 CRI 40 4000K/90 CRI 50 5000K/90 CRI TW¹ Tunable White 2700K-6500K RGBW30² RGB +white, 3000k RGBW35² RGB +white, 3500k RGBW40² RGB +white, 4000k <small>¹Must use TW10 or PSQdriver. ²Must use remote DMX driver. "High" output not available.</small>	LOW Low output MED Medium output HIGH High output CUST Custom output ¹ <small>¹consult factory</small>
Voltage <input type="text" value="5"/>	Driver <input type="text" value="6"/>	Finish <input type="text" value="7"/>	Mounting <input type="text" value="8"/>
UNV Universal (120/277V) 347V¹ 347V	DB Standard 0-10V 1% DB.1% 0-10V 0.1% ELV² Reverse Phase 1% (120V only) TRI² Forward phase (120V only) LDE1 Lutron Digital EcoSystem DALI DALI-2 Driver PoE Power over Ethernet. DMX¹ DMX512 <small>¹Set to default address 001. Contact us for other addressing needs. ²For compatible dimmers, click here.</small>	W White BLK Black SLV Silver CC¹ Custom Color CCF¹ Custom Wood Finish <small>¹Custom Color. See finish options here. White SJ cord and canopy provided; for other requests, see section 12 to specify.</small>	NT Mud-in Flange
Optics <input type="text" value="9"/>	Sensors and Controls <input type="text" value="10"/>	Circuit <input type="text" value="11"/>	Options <input type="text" value="12"/>
FL Flat Diffuser	NA None EIS Enlighted sensor WISM Wattstopper occupancy WISD Wattstopper daylight ACM Acuity nLight module only ACS Acuity nLight sensor ACA Acuity nLight air CCS Casambi module AWNRR Lutron Athena Wireless Node AWNS Lutron Athena Wireless Sensor <small>Consult factory for more options, or click here.</small>	NA None EMPCK Emergency Battery Pack EMCKT Emergency Circuit DAYCKT Daylight Circuit	NA None WH 6ft whips preinstalled CP Chicago Plenum

Performance

Output ¹	Watts/ft	Lumens/ft
Low	5	355
Medium	7	475
High	10	641

Based on a typically configured 90 CRI, 3500K luminaire using one driver.

¹Custom outputs available. Please consult factory.
For 4000k, multiply by 1.05; for 3000k, 0.9; for 2700k, 0.92.

Technical Information



click [here](#) or scan QR code

Wiring diagrams, PoE and sensor details

Modification date: June, 2023

Page 2 of 5

LSR Curve recessed

Drivers & Electrical

Integral drivers¹ with 0-10V Dimming standard. Several other driver options available; see ordering information.

¹All DMX drivers are provided in remote enclosures.

Sensors & Controls

Sensors are installed on an aluminum plate adjacent to the luminaire lens¹. Coronet remains agnostic in our approach to sensors and control systems; our fixtures are compatible with most systems offered.

¹Not applicable to indirect only models. Consult factory.

Emergency Back-Up

For fixtures three-feet or longer, a 4W integral emergency driver may be wired to 4ft sections. 7W, 10W, and 12W drivers are also available (not all integral; consult factory). Emergency circuits for use with building generators are also available.

PoE (Power over Ethernet)

Compatible with virtually all PoE systems including Molex Coresync, Igor, Smartengine, Platformatics, and NuLED SPICEbox. Consult Factory for systems not listed. See [here](#) for more info.

Finishes

All luminaires are finished in high quality polyester powder coating. Our standard color is white. Any RAL color may be specified.

Weight

3 lbs per foot

Optics

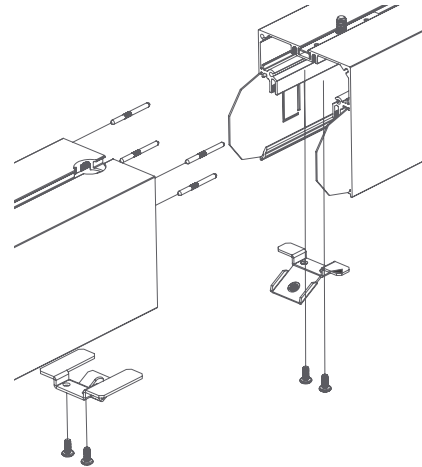
Extruded satin acrylic lenses provide excellent diffusion, high transmission, and no LED imaging.

Construction

Housings are extruded premium, recycled aluminum. Individual fixtures are available up to 12' long and may be specified as nominal or precision lengths. Precision lengths are supplied within 1/8" tolerance.

Joined Runs

Runs of any length may be specified and are comprised of multiple, factory-engineered, joined sections. Individually specified luminaires are not field joinable.

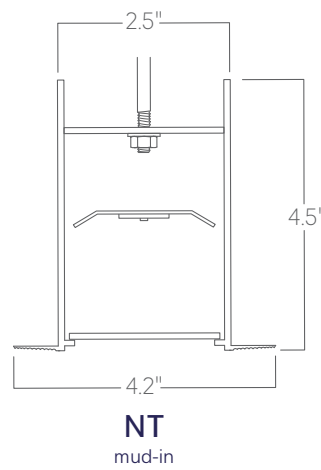


Representative joinery. For product specific details see installation guides or submittal drawings.

LSR Curve recessed

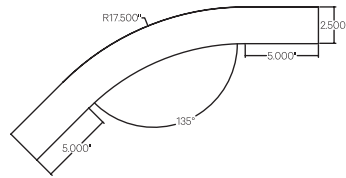
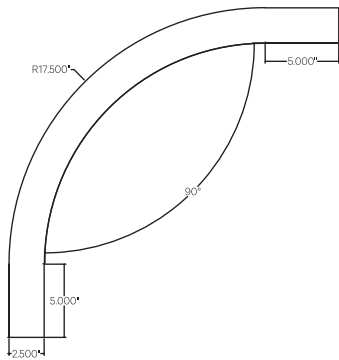
Mounting Options

Custom mounting types and ceiling transitions available; consult factory.



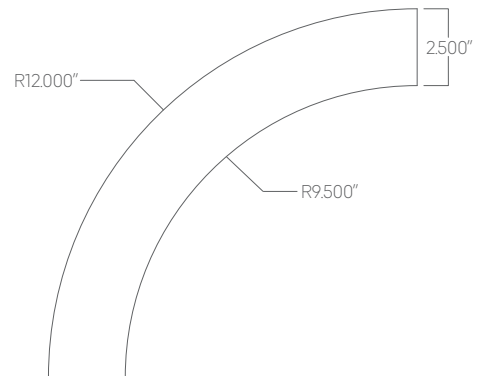
LSR Curve recessed

Dimensions



Smallest Curve Available

Please see below of the smallest curve fixture we can manufacture.



Example Patterns

