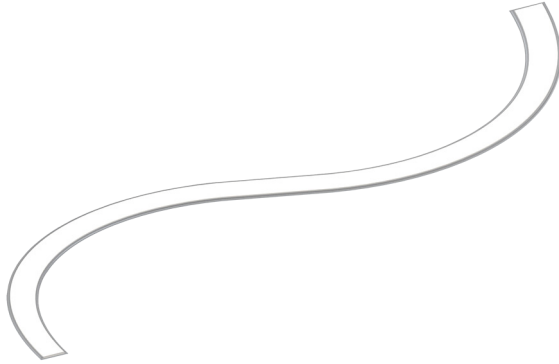


# LSR Curve recessed

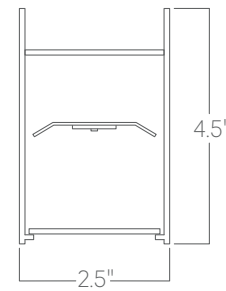


The LS Series of architectural luminaires offers a wide range of profiles and mounting options. Custom lengths and patterns are tailored to suit any modern space.

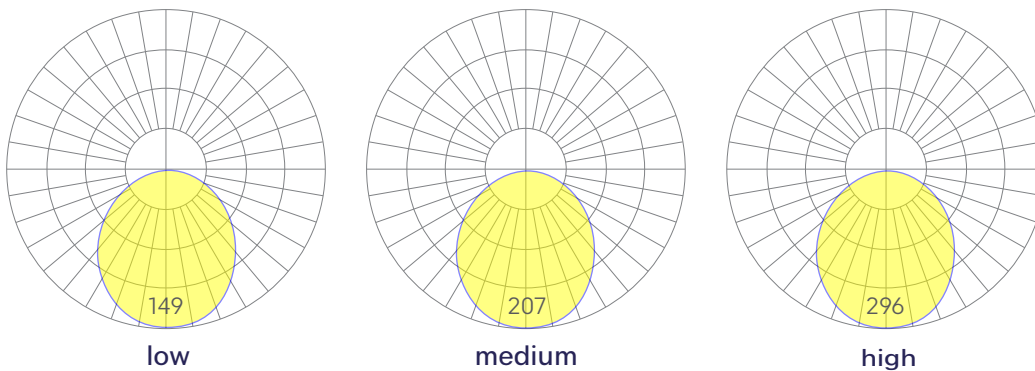
## Features

- Standard or Custom radii and angles + optional straight sections
- Extruded recycled aluminum housing
- Configured patterns and finishes available
- Specifiable color temperature. CRI > 90, R9 >50
- 5 Year, 50,000 hour warranty, damp location rated
- WELL Building Standard compatible [learn more](#)

## Dimensions



## Optics



Representative distribution and peak candela. For other options see order information or IES files [here](#).

# LSR Curve recessed

## Ordering Information



Example: LSR CURVE - 90° - 30K - MED - UNV - DB - W - NT - FL - ACM - NA

<b>Fixture ID</b> <input type="text" value="1"/>	<b>Size</b> <input type="text" value="2"/>	<b>Configuration</b> <input type="text" value="3"/>	<b>Color Temperature</b> <input type="text" value="4"/>
<b>LSR CURVE</b>	<b>90°</b> <b>135°</b> <b>X°</b> Custom Angles <sup>1</sup>  <small><sup>1</sup>Consult factory.</small>	<small>*Drawing required; consult factory. Refer to page 5.</small>	<b>27</b> 2700K/90 CRI <b>30</b> 3000K/90 CRI <b>35</b> 3500K/90 CRI <b>40</b> 4000K/90 CRI  <b>RGBW30</b> RGB +white, 3000k <b>RGBW35</b> RGB +white, 3500k <b>RGBW40</b> RGB +white, 4000k  <small><sup>1</sup>Must use remote DMX driver. "High" output not available.</small>
<b>Output</b> <input type="text" value="5"/>	<b>Voltage</b> <input type="text" value="6"/>	<b>Driver</b> <input type="text" value="7"/>	<b>Finish</b> <input type="text" value="8"/>
<b>LOW</b> Low output <b>MED</b> Medium output <b>HIGH</b> High output <b>CUST</b> Custom output <sup>1</sup>  <small><sup>1</sup>consult factory</small>	<b>UNV</b> Universal (120/277V) <b>347V<sup>1</sup></b> 347V  <small><sup>1</sup>Must use DB Driver</small>	<b>DB</b> Standard 0-10V 1% <b>DB.1%</b> 0-10V 0.1% <b>ELV<sup>2</sup></b> Reverse Phase 1% (120V only) <b>TRI<sup>2</sup></b> Forward phase (120V only) <b>LDE1</b> Lutron Digital EcoSystem <b>DALI</b> DALI-2 Driver <b>PoE</b> Power over Ethernet. <b>DMX<sup>1</sup></b> DMX512  <small><sup>1</sup>Set to default address 001. RDM capable. Contact us for other addressing needs. <sup>2</sup>For compatible dimmers, click here.</small>	<b>W</b> White <b>BLK</b> Black <b>CC<sup>1</sup></b> Custom Color <b>CWF<sup>1</sup></b> Custom Wood Finish  <small><sup>1</sup>Custom Color. See finish options here. White SJ cord and canopy provided; for other requests, see section 12 to specify.</small>
<b>Mounting</b> <input type="text" value="9"/>	<b>Optics</b> <input type="text" value="10"/>	<b>Sensors and Controls</b> <input type="text" value="11"/>	<b>Circuit</b> <input type="text" value="12"/>
<b>NT</b> Mud-in Flange	<b>FL</b> Flat Diffuser	<b>NA</b> None <b>EIS</b> Enlighted sensor <b>WISM</b> Wattstopper occupancy sensor <b>WISD</b> Wattstopper daylight sensor <b>ACM</b> Acuity nLight module only <b>ACS</b> Acuity nLight sensor <b>CCS</b> Casambi module <b>AWNRR</b> Lutron Athena Wireless Node Module  <small>Consult factory for other options.</small>	<b>NA</b> None <b>EMPKT</b> Emergency Battery Pack <b>EMCKT</b> Emergency Circuit <b>DAYCKT</b> Daylight Circuit

## Performance

Output (uplight) <sup>1</sup>	Watts/ft	Lumens/ft
Low	5	355
Medium	7	475
High	10	641

Based on a typically configured 90 CRI, 3500K luminaire using one driver<sup>2</sup>

<sup>1</sup>Custom outputs available. Please consult factory.  
<sup>2</sup>For 4000k, multiply by 1.05; for 3000k, 0.96; for 2700k, 0.92.

## Technical Information



click [here](#) or scan QR code

Wiring diagrams, PoE and sensor details

Modification date: September, 2022

# LSR Curve recessed

## Drivers & Electrical

Integral drivers<sup>1</sup> with 0-10V Dimming standard. Several other driver options available; see ordering information.

<sup>1</sup>All DMX drivers are provided in remote enclosures.

## Sensors & Controls

Sensors are installed on an aluminum plate adjacent to the luminaire lens<sup>1</sup>. Coronet remains agnostic in our approach to sensors and control systems; our fixtures are compatible with most systems offered.

<sup>1</sup>Not applicable to indirect only models. Consult factory.

## Emergency Back-Up

For fixtures three-feet or longer, a 4W integral emergency driver may be wired to 4ft sections. 7W, 10W, and 12W drivers are also available (not all integral; consult factory). Emergency circuits for use with building generators are also available.

## PoE (Power over Ethernet)

Compatible with virtually all PoE systems including Molex Coresync, Igor, Smartengine, Platformatics, and NuLED SPICEbox. Consult Factory for systems not listed. See [here](#) for more info.

## Finishes

All luminaires are finished in high quality polyester powder coating. Our standard color is white. Any RAL color may be specified.

## Weight

3 lbs per foot

## Optics

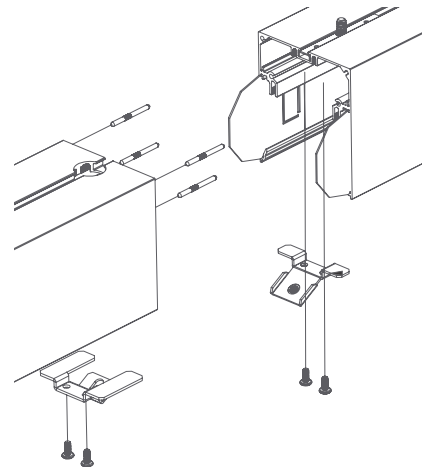
Extruded satin acrylic lenses provide excellent diffusion, high transmission, and no LED imaging.

## Construction

Housings are extruded premium, recycled aluminum. Individual fixtures are available up to 12' long and may be specified as nominal or precision lengths. Precision lengths are supplied within 1/8" tolerance.

## Joined Runs

Runs of any length may be specified and are comprised of multiple, factory-engineered, joined sections. Individually specified luminaires are not field joinable.

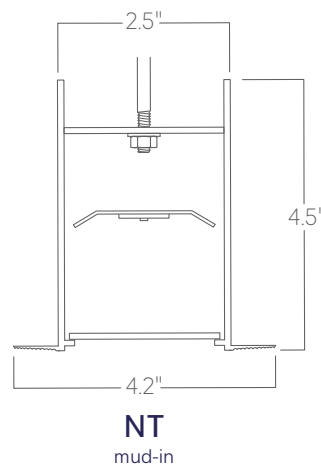


Representative joinery. For product specific details see installation guides or submittal drawings.

# LSR Curve recessed

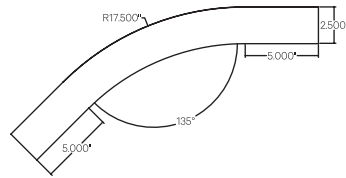
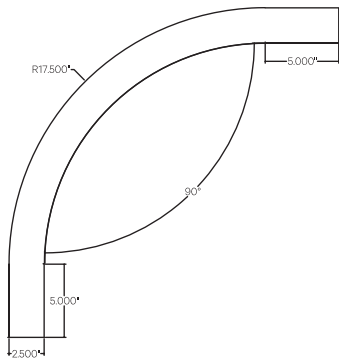
## Mounting Options

Custom mounting types and ceiling transitions available; consult factory.



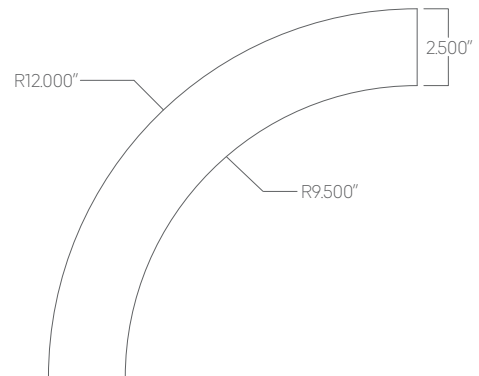
# LSR Curve recessed

## Dimensions



## Smallest Curve Available

Please see below of the smallest curve fixture we can manufacture.



## Example Patterns

