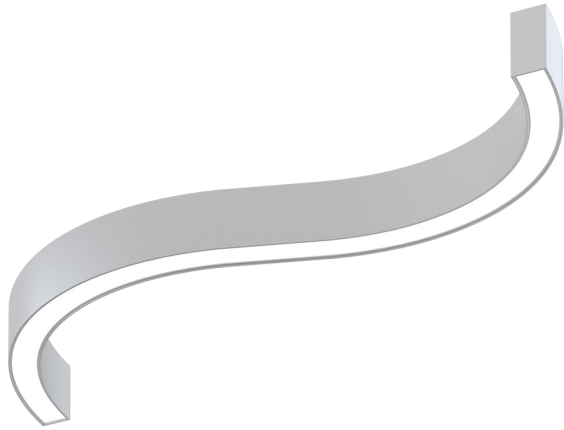


LS Curve indirect/direct

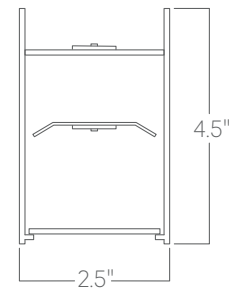


The LS Series of architectural luminaires offers a wide range of profiles and mounting options. Custom lengths and patterns are tailored to suit any modern space.

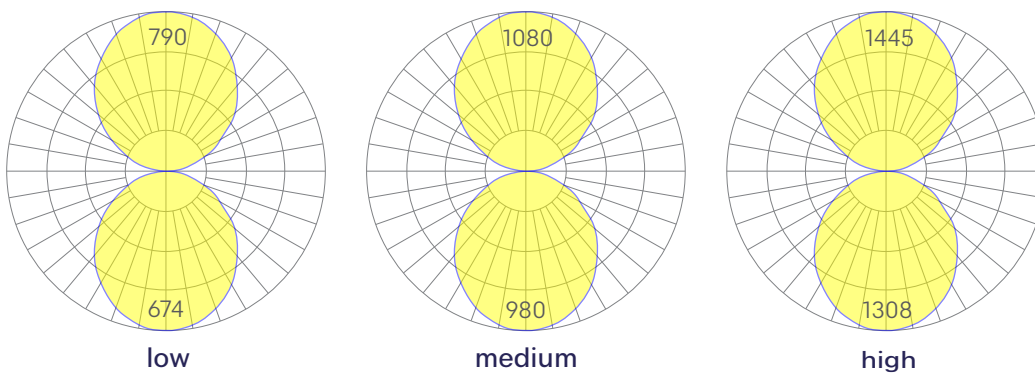
Features

- Extruded recycled aluminum housing
- Specifiable color temperature. CRI > 90, R9 >50
- Custom lengths, welded patterns, and finishes available
- 5 Year, 50,000 hour warranty
- WELL Building Standard compatible [learn more](#)

Dimensions



Optics



Representative distribution and peak candela. For other options see order information or IES files [here](#).

LS Curve indirect/direct

Ordering Information



Example: LS CURVE - 90° - 30K - MED - UNV - DB - W - AC - SD - ACS - NA

Fixture ID <input type="text" value="1"/>	Size <input type="text" value="2"/>	Configuration <input type="text" value="3"/>	Color Temperature <input type="text" value="4"/>
LS CURVE UPDN	90° 135° X° Custom Angles ¹	*Drawing required; consult factory. Refer to page 5.	27 2700K/90 CRI 30 3000K/90 CRI 35 3500K/90 CRI 40 4000K/90 CRI
Output <input type="text" value="5"/>	Voltage <input type="text" value="6"/>	Driver <input type="text" value="7"/>	Finish <input type="text" value="8"/>
4a - Indirect LOW Low output MED Medium output HIGH High output CUST Custom output ¹ 4b - Direct LOW Low output MED Medium output HIGH High output CUST Custom output ¹	UNV Universal (120/277V) 347V 347V	DB Standard 0-10V 1% DB.1% 0-10V 0.1% ELV 2-wire 1% (120V only) TRI Forward phase (120V only) LDE1 Lutron Digital EcoSystem DALI DALI-2 Driver PoE Power over Ethernet. DMX¹ DMX512	W White BLK Black CC¹ Custom Color CWF¹ Custom Wood Finish
<small>¹consult factory</small>	<small>¹Must use DB Driver</small>	<small>¹Set to default address 001. RDM capable. Contact us for other addressing needs.</small>	<small>¹Custom Color. See finish options here. White SJ cord and canopy provided; for other requests, see section 12 to specify.</small>
Mounting <input type="text" value="9"/>	Optics <input type="text" value="10"/>	Sensors and Controls <input type="text" value="11"/>	Circuit <input type="text" value="12"/>
AC Aircraft cable (50") PS-X Pendant stem (12", 18", 24", 36", 48")	9a - Indirect SD Standard Diffuser 9b - Direct SD Standard Diffuser	NA None ACM Acuity nLight Module Only CCS Casambi Module	NA None EM120V Emergency Pack EM277V Emergency Pack EMCKT Emergency Circuit DAYCKT Daylight Circuit
<small>White stems and canopy provided. Must specify other requests.</small>		<small>Consult factory for other options.</small>	

Performance

Output (uplight) ¹	Watts/ft	Lumens/ft
Low	5	355
Medium	7	475
High	10	641

Based on a typically configured 90 CRI, 3500K luminaire using one driver²

¹Custom outputs available. Please consult factory.
²For 4000K, multiply by 1.05; for 3000K, 0.96; for 2700K, 0.92.

Technical Information



click [here](#) or scan QR code

Wiring diagrams, PoE and sensor details

Modification date: October, 2021

Page 2 of 5

LS Curve indirect/direct

Drivers & Electrical

Integral drivers* with 0-10V Dimming standard **typical**; some custom curve angles call for drivers to be remote. Several other driver options available; see ordering information.

*Drivers DMX drivers are provided in remote enclosures.

Sensors & Controls

Sensors are installed on an aluminum plate adjacent to the luminaire lens¹. Coronet remains agnostic in our approach to sensors and control systems; our fixtures are compatible with most systems offered.

¹Not applicable to indirect only models. Consult factory.

Emergency Back-Up

For fixtures three-feet or longer, a 4W integral emergency driver may be wired to 4ft sections. 7W, 10W, and 12W drivers are also available (not all integral; consult factory). Emergency circuits for use with building generators are also available.

PoE (Power over Ethernet)

Compatible with virtually all PoE systems including Molex Coresync, Igor, Smartengine, Platformatics, and NuLED SPICEbox. Consult Factory for systems not listed, See [here](#) for more info.

Finishes

All luminaires are finished in high quality polyester powder coating. Our standard color is white. Any RAL color may be specified.

Weight

3 lbs per foot

Optics

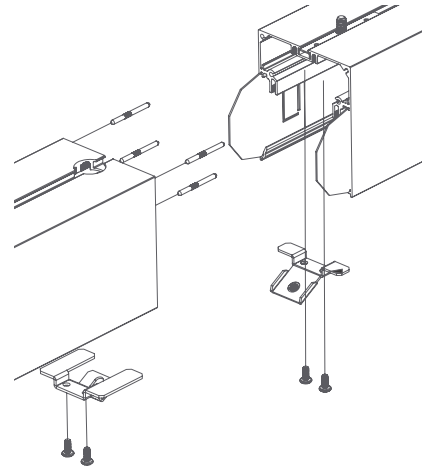
Extruded satin acrylic lenses provide excellent diffusion, high transmission, and no LED imaging.

Construction

Housings are extruded premium, recycled aluminum. Individual fixtures are available up to 12' long and may be specified as nominal or precision lengths. Precision lengths are supplied within 1/8" tolerance.

Joined Runs

Runs of any length may be specified and are comprised of multiple, factory-engineered, joined sections. Individually specified luminaires are not field joinable.

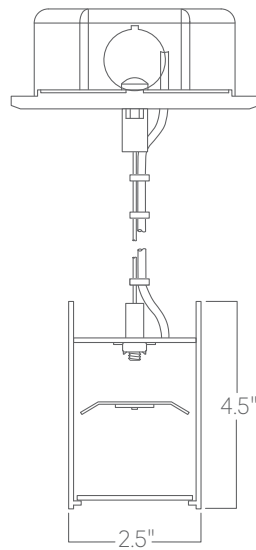


Representative joinery. For product specific details see installation guides or submittal drawings.

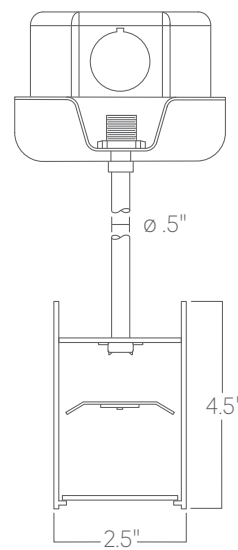
LS Curve indirect/direct

Mounting Options

Custom mounting types and ceiling transitions available; consult factory.



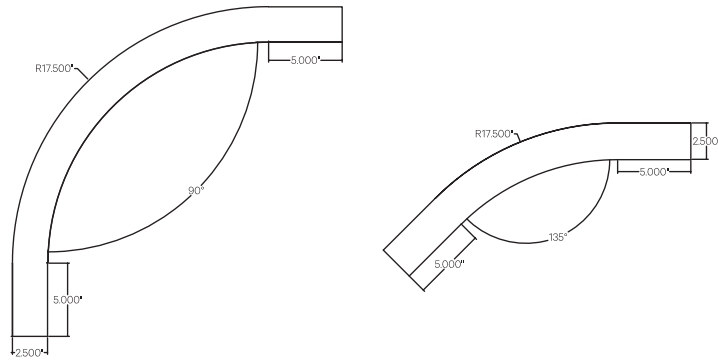
Aircraft cable



Pendant stem

LS Curve indirect/direct

Dimensions



Example Patterns

