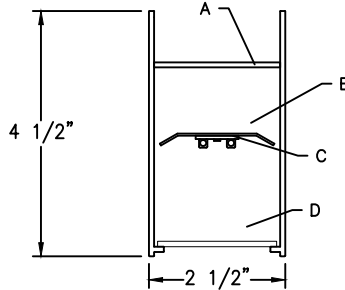


INSTALLATION GUIDE—PENDANT



Risk of fire and electrical shock. In accordance with national local building and electrical codes, CORONET lighting fixtures must be installed by a qualified electrician. Disconnect power at electrical panel before servicing.

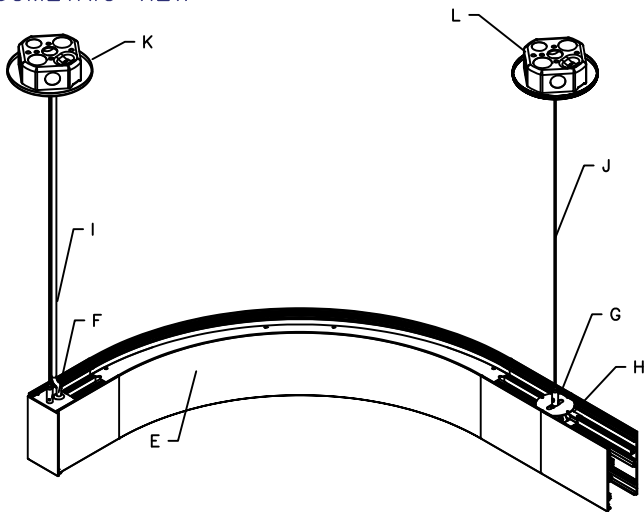
CROSS SECTION VIEW



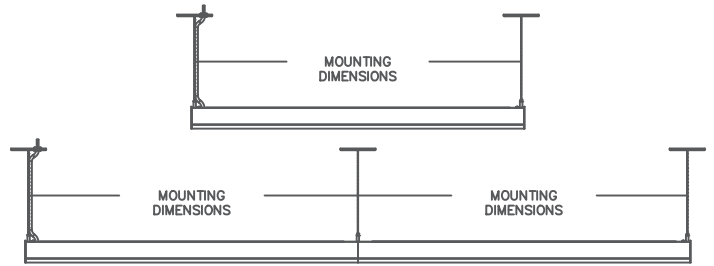
PART LIST

- A—Top Tray
- B—Bottom Tray
- C—LED
- D—Bottom Lens
- E—Extrusion
- F—Hanging Bracket (End)
- G—Center/Connection Hanging Bracket
- H—Connection Bracket (See detail)
- I—SJ Cord
- J—Aircraft Cable
- K—Canopy
- L—Junction Box (By Others)

ISOMETRIC VIEW

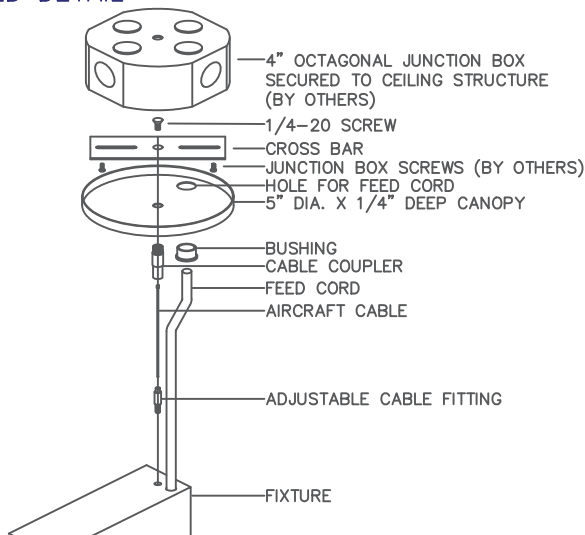


SIDE VIEW

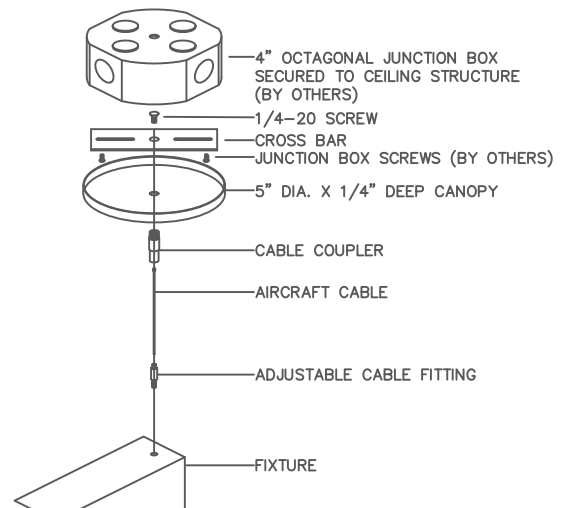


PLEASE CONSULT FACTORY SHOP DRAWINGS FOR SUSPENSION POINTS

FEED DETAIL



NON FEED DETAIL



INDIVIDUAL FIXTURES ARE NOT INTENDED FOR CONTINUOUS RUNS.
ADDITIONAL SUPPORTS TO THE STRUCTURE MAY BE REQUIRED.
*CHECK WITH YOUR LOCAL BUILDING CODE FOR THOSE REQUIREMENTS.

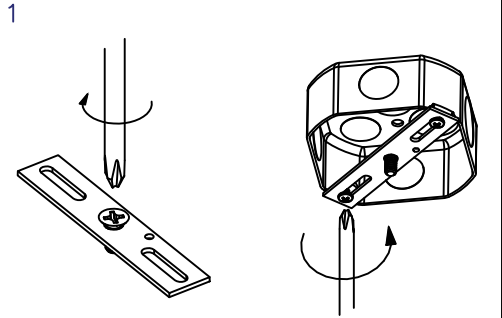
NOTE: JUNCTION BOXES MUST BE SOLIDLY FIXED TO THE CEILING AND ATTACHED TO THE STRUCTURAL MEMBER INSIDE THE CEILING BEFORE PROCEEDING WITH INSTALLATION.

INSTALLATION GUIDE—PENDANT

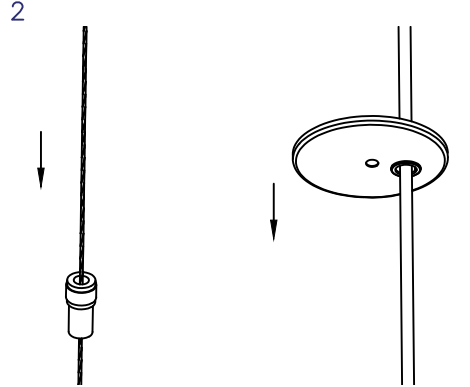


Risk of fire and electrical shock. In accordance with national local building and electrical codes, CORONET lighting fixtures must be installed by a qualified electrician. Disconnect power at electrical panel before servicing.

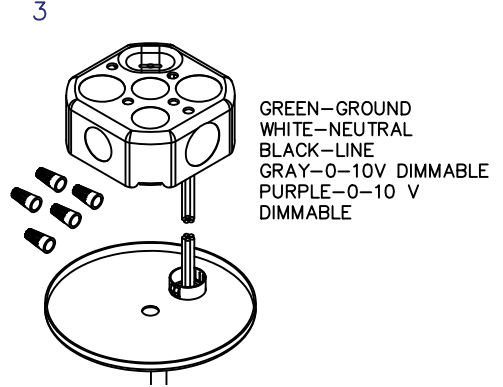
NOTE: BEFORE BEGINNING INSTALLATION IT IS RECOMMENDED LAY PATTERN OUT ON THE FLOOR AND ALIGN SECTIONS TO CONNECT (SEE STEP 7). DO NOT SCREW IN BRACKETS. WITH THE PATTERN LAID OUT, USE A LASER TO SET SUSPENSION POINTS/JUNCTION BOX LOCATIONS. ONCE COMPLETE, DISSASSEMBLE THE SECTIONS AND BEGIN INSTALLATION. DUE TO NATURAL TWIST OF CURVED SECTIONS SUSP. POINTS MAY VARY A FEW INCHES COMPARED TO SUBMITTALS.



1 A canopy is needed at all suspension points. Using the 1/4-20 cross bar screw, position the canopy and secure in place with the cable coupler.

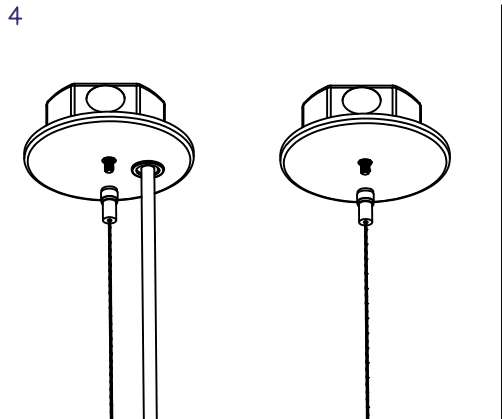


2 A canopy is needed at all suspension points. Using the 1/4-20 cross bar screw, position the canopy and secure in place with the cable coupler.

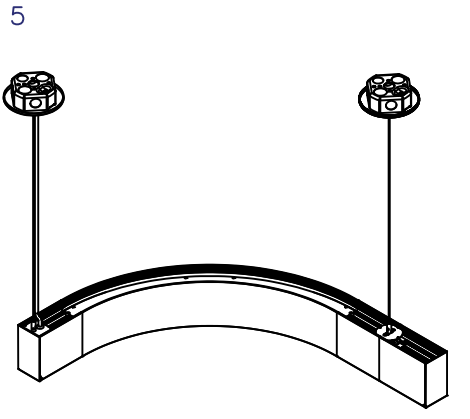


3 With the power to the fixture circuit off, connect the fixture power cord to the power feed in the junction box. (Wire connectors by others)

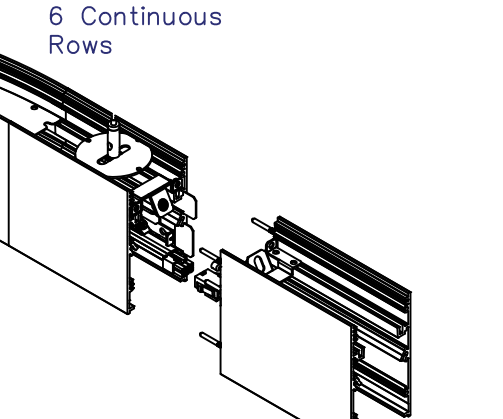
GREEN—GROUND
WHITE—NEUTRAL
BLACK—LINE
GRAY—0-10V DIMMABLE
PURPLE—0-10 V DIMMABLE



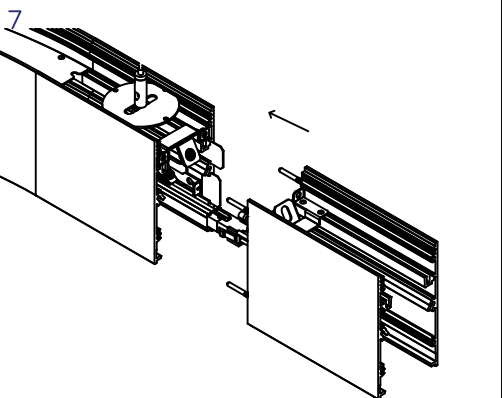
4 Using the 1/4-20 cross bar screw, position the canopy and secure in place with the cable coupler.



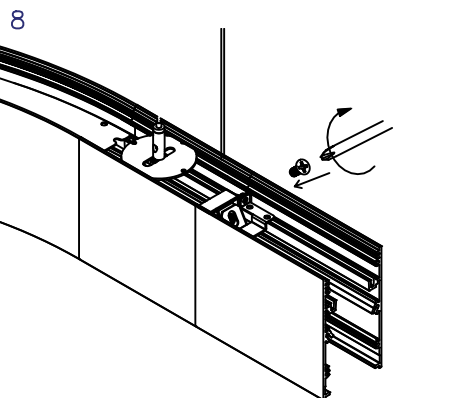
5 Insert the aircraft cable into the cable grippers on both sides of the fixture. Adjust the cables until the desired height is achieved. Note: sections must be level to properly connect.



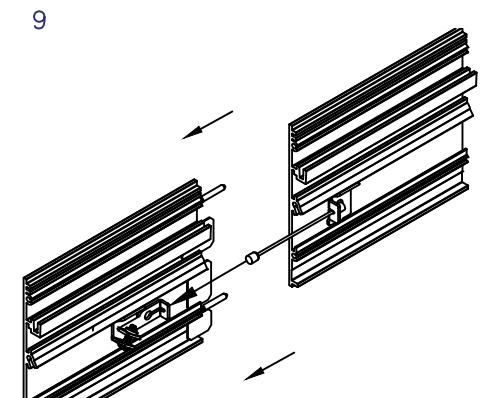
6 Continuous Rows Before connecting each section, connect the wiring harness.



7 Align sections using the alignment pins and light shields. Warning: keep hands clear of connection. Slide the middle hanging bracket to allow access to connection.



8 Use the provided 1/4-20 flat head screw to secure the connecting brackets in the middle. As you screw it in, the fixture will securely connect together. Use 6-32 screws to secure the sides of the brackets. Adjust tightness as needed at the very end.



9 Next, remove or slide the lens to access the bottom connection. Insert the dangling cable into the left handed connection bracket

NOTE: JUNCTION BOXES MUST BE SOLIDLY FIXED TO THE CEILING AND ATTACHED TO THE STRUCTURAL MEMBER INSIDE THE CEILING BEFORE PROCEEDING WITH INSTALLATION.

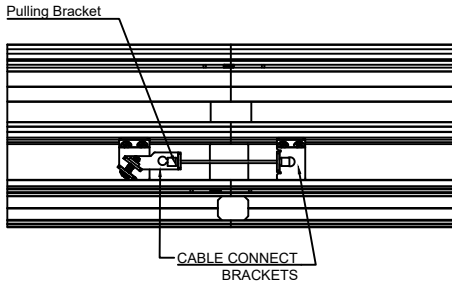
INSTALLATION GUIDE—PENDANT



Risk of fire and electrical shock. In accordance with national local building and electrical codes, CORONET lighting fixtures must be installed by a qualified electrician. Disconnect power at electrical panel before servicing.

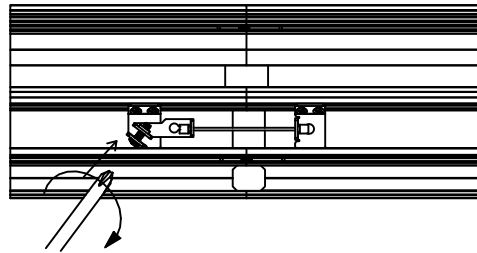
10

BOTTOM CONNECTION DETAIL



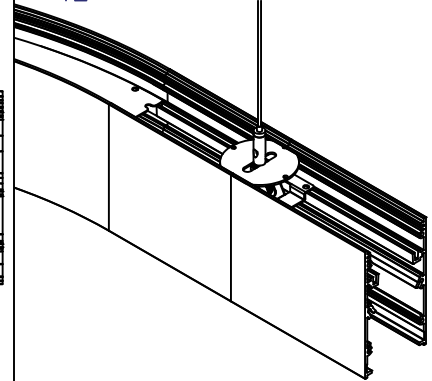
The bottom connection should look as follows.
 Note: Pull cable and ensure it is taught as it enters the pulling bracket. If needed, brackets can be moved by removing the screws and sliding the brackets along the channel as necessary.

11



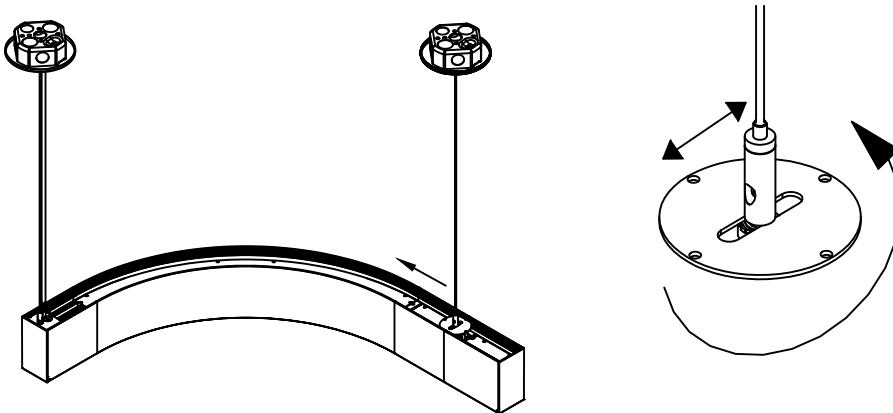
Tighten 6-32 Screw until seam between sections is closed. Repeat Steps 9-11 on the other side of the connection.

12



Repeat Steps 6-11 for all connections between sections. Tighten or loosen connections as needed to eliminate any openings between connections and create a tight seam.

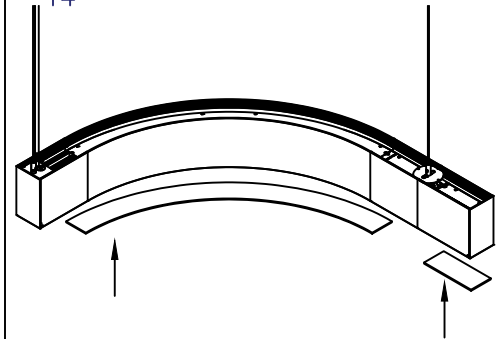
13



Fixture must be hung level at the desired height. Failure to do so will cause light leaks because the curved sections will twist and fail to align properly. If necessary, to match suspension points in ceiling, hanging brackets can slide along the channel of the fixture.

Additionally, hex nut may be loosened to slide the gripper along the slot of the bracket and bracket may be rotated for small adjustments. Refasten gripper when done.
 Note: Adjusting mounting points too much may shift weight distribution of fixture.

14



Replace lens. Lens can be inserted from the bottom and should rest between the lips shown in the cross sectional view.

GENERAL INSTALLATION CONSIDERATIONS – See submittal drawings for job specific data.

Operating Temperature.....-40°C to 50°C
 Operating Voltage.....110VAC-277VAC, 50Hz-60Hz
 Weight..... lb/ft
 Dimensions.....See submittal drawings

- Installation by a certified electrician only.
- Read and understand the installation instructions before attempting to install or use the fixture.
- Only use fixtures with voltage for which it is rated. Do not exceed the specified voltage and current input.
- Do not use the fixture if the housing, lens, or power cable is damaged.
- Ensure that the main power supply is off before installing or wiring the fixture.
- Method of wire connection to be determined by local electrical codes and regulations.
- The external flexible cable of this luminaire cannot be field replaced; if the cord is damaged, contact Coronet.
- The light source contained in this luminaire shall only be replaced by the lighting manufacturer or his service agent or a similar qualified person.

Please contact our technical support team for assistance.

NOTE: JUNCTION BOXES MUST BE SOLIDLY FIXED TO THE CEILING AND ATTACHED TO THE STRUCTURAL MEMBER INSIDE THE CEILING BEFORE PROCEEDING WITH INSTALLATION.