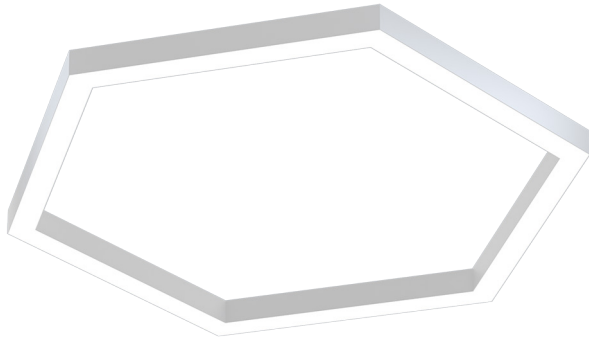


# HEX 3ft direct



Our Performance Decorative luminaires offer a variety of decorative forms and sizes suitable for any modern space.

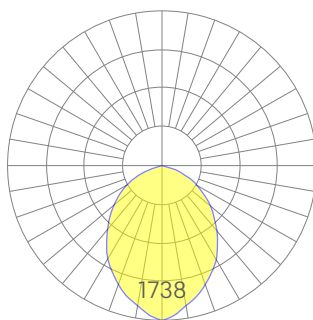
## Features

- Power Over Wire system eliminates power cord
- Welded extruded aluminum
- Specifiable color temperature. CRI > 90, R9 >50
- Specifiable dimmable drivers or PoE
- Custom colors and wood finishes finishes available
- 5 Year, 50,000 hour warranty
- WELL Building Standard compatible [learn more](#)

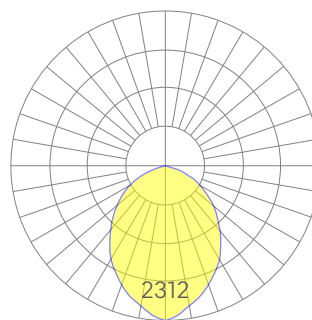
## Dimensions



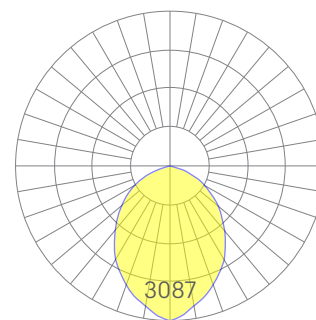
## Optics



low



medium



high

Representative distribution and peak candela. For other options see order information or IES files [here](#).

# HEX 3ft direct

## Ordering Information



Example: HEX - X - 35 - MED - UNV - DB - W - AC - SD - CCS - DAYCKT - NA

Fixture ID	1	Size	2	Color Temperature	3	Output	4
HEX		3 3 ft		<b>27</b> 2700K/90 CRI <b>30</b> 3000K/90 CRI <b>35</b> 3500K/90 CRI <b>40</b> 4000K/90 CRI <b>50</b> 5000K/90 CRI  <b>WD</b> <sup>1</sup> Warm Dim 2200K–3000K <b>TW</b> <sup>2</sup> Tunable White 2700K–6500K  <small><sup>1</sup>Must use WD10 driver <sup>2</sup>Must use TW10 or PSQdriver</small>		<b>LOW</b> Low output <b>MED</b> Medium output <b>HIGH</b> High output <b>CUST</b> Custom output <sup>1</sup>  <small><sup>1</sup>consult factory</small>	
Voltage	5	Driver	6	Finish	7	Mounting	8
UNV 347V <sup>1</sup> Universal (120/277V) 347V		<b>DB</b> Standard 0-10V 1% <b>DB.1%</b> 0-10V 0.1% <b>ELV</b> 2-wire 1% (120V only) <b>TRI</b> Forward phase (120V only) <b>LDE1</b> Lutron Digital EcoSystem <b>DALI</b> DALI-2 Driver <b>PoE</b> Power over ethernet. <b>TW10</b> Dual channel, 0-10V for tunable white. <b>WD10</b> 0-10V Warm Dim <b>PSQ</b> Lutron T-Series 2-channel 1% for tunable white <b>DMX</b> <sup>1</sup> DMX512  <small><sup>1</sup>Set to default address 001. RDM capable. Contact us for other addressing needs.</small>		<b>W</b> White <b>BLK</b> Black <b>CC</b> <sup>1</sup> Custom Color <b>CWF</b> <sup>1</sup> Custom Wood Finish  <small><sup>1</sup>Custom Color. See finish options here. White SJ cord and canopy provided, for other requests, see section 12 to specify.</small>		<b>ACP</b> Power Over Aircraft Cable  <small>White canopy provided. Must specify other requests.</small>	
Optics	9	Sensors/Controls	10	Circuit	11	Options	12
SD Standard Diffuser		<b>NA</b> None <b>ACM</b> Acuity nLight Module Only <b>CCS</b> Casambi Module  <small>Consult factory for other options.</small>		<b>NA</b> None <b>EM120V</b> Emergency Pack <b>EM277V</b> Emergency Pack <b>EMCKT</b> Emergency Circuit <b>DAYCKT</b> Daylight Circuit		<b>NA</b> None <b>CAN-X</b> <sup>1</sup> Canopy + color <b>SJ-X</b> <sup>2</sup> SJ Cord + color  <small><sup>1</sup>White SJ cord and canopy provided, use above nomenclature for other requests. <sup>2</sup>See finish options here.</small>	

## Performance

Output <sup>1</sup>	Watts	Lumens
Low	47	3651
Medium	65	4856
High	93	6485

<sup>1</sup>Based on a typically configured 90 CRI, 3500K luminaire using one driver.

Custom outputs available. Please consult factory.  
For 4000K multiply by 1.05; for 3000K 0.96; for 2700K, 0.92

## Technical Information



click [here](#) or scan QR code

Wiring diagrams, PoE and sensor details

Modification date: October, 2021

Page 2 of 3

# HEX 3ft direct

## Drivers & Electrical

Our Power Over Wire system delivers power to the luminaire via suspension cables, eliminating a separate power feed. Drivers are housed in the luminaire canopy or in factory supplied remote enclosures<sup>1</sup>. All drivers are dimmable.

<sup>1</sup>See order information for more details.

## Emergency Back-Up

Emergency, battery-powered drivers are available. Emergency circuits for use with building generators are also available.

## PoE (Power over Ethernet)

Compatible with virtually all PoE systems including Moxel Coresync, Igor, Smartengine, Platformatics, and NuLED SPICEbox. Consult Factory for systems not listed, See [here](#) for more info.

## Weight

13 lbs

## Mounting

## Optics

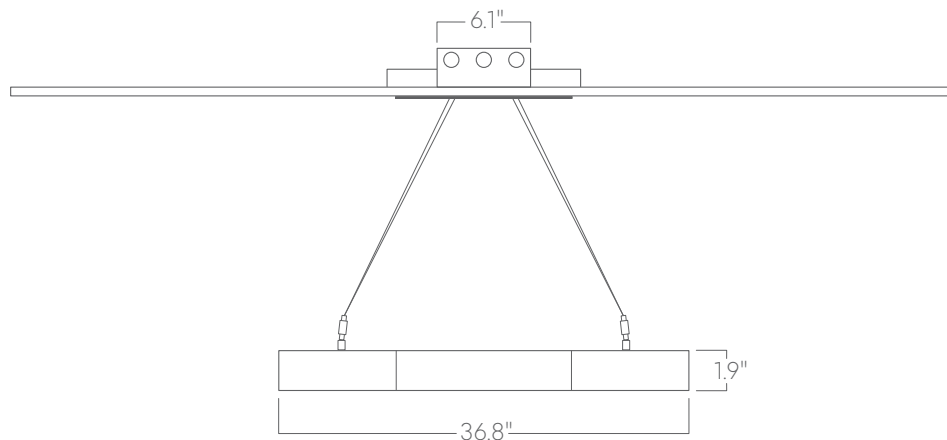
Extruded satin acrylic lenses provide excellent diffusion, high transmission, and no LED imaging.

## Construction

Welded, extruded, recycled aluminum.

## Finishes

All luminaires are finished in high quality polyester powder coating. Our standard color is white. Any RAL color may be specified.



**Power over aircraft cable**