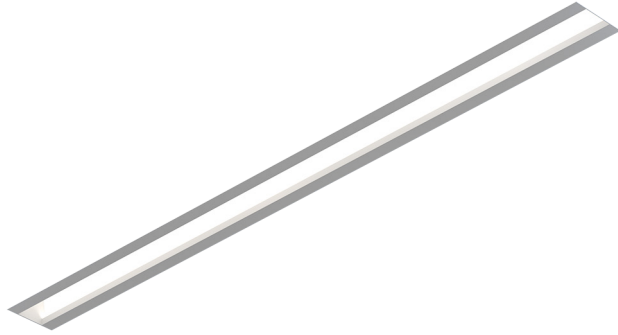


U recessed

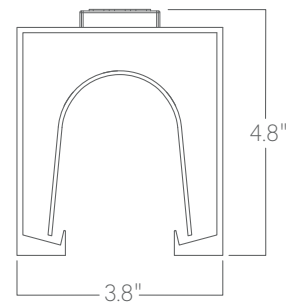


The LS Series of architectural luminaires offers a wide range of profiles and mounting options. Custom lengths and patterns are tailored to suit any modern space.

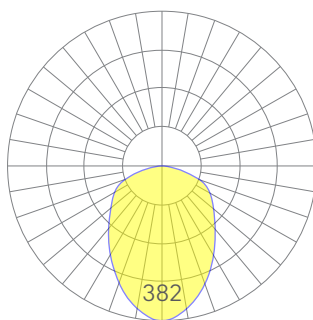
Features

- Extruded, recycled aluminum housing
- Aluminum core LED boards, specifiable output
- Specifiable color temperature. CRI > 90, R9 >50
- Custom lengths, welded patterns, and finishes available
- Integral specifiable dimmable drivers or PoE
- 5 Year, 50,000 hour warranty
- WELL Building Standard compatible [learn more](#)

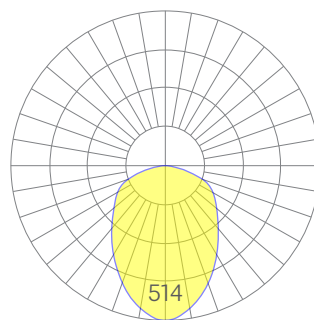
Dimensions



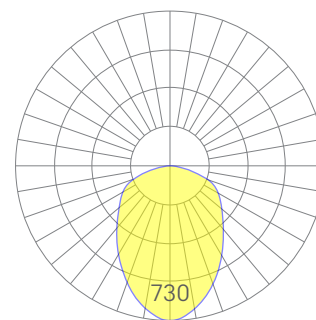
Optics



low



medium



high

Representative distribution and peak candela. For other options see order information or IES files [here](#).

U recessed

Ordering Information



Example: U REC - 8 - 35 - MED - UNV - DB - W - AC - SD - CCS - DAYCKT - NA

| Fixture ID | 1 | Length | 2 | Color Temperature | 3 | Output | 4 |
|--|------------------------------|---|----|--|----|---|----|
| U REC | | 2 2 ft 4 4 ft 8 8 ft X'-X" Specify Length ¹ PAT Pattern (Consult Factory) | | 27 2700K/90 CRI 30 3000K/90 CRI 35 3500K/90 CRI 40 4000K/90 CRI 50 5000K/90 CRI | | LOW Low output MED Medium output HIGH High output CUST Custom output ¹ | |
| <small>¹Precision lengths may be specified to the nearest 1/8".</small> | | | | | | | |
| <small>¹consult factory</small> | | | | | | | |
| Voltage | 5 | Driver | 6 | Finish | 7 | Mounting | 8 |
| UNV 347V ¹ | Universal (120/277V) 347V | DB Standard 0-10V 1% DB.1% 0-10V 0.1% ELV 2-wire 1% (120V only) TRI Forward phase (120V only) LDE1 Lutron Digital EcoSystem DALI DALI-2 Driver PoE Power over Ethernet. DMX¹ DMX512 | | W White BLK Black CC¹ Custom Color | | T 9/16" Tee Grid T15 15/16" Tee Grid SG Slot Grid/Interlude F Flange NT Mud-in Flange PM-X¹ Perimeter Mount MW² Millwork | |
| <small>¹Set to default address 001. RDM capable. Contact us for other addressing needs.</small> | | | | | | | |
| <small>¹Must use DB Driver</small> | | | | | | | |
| <small>All drivers remote</small> | | | | | | | |
| <small>¹Custom Color. See finish options here.</small> | | | | | | | |
| <small>¹X denotes mounting type on opposite side of wall (eg PM-NT).</small> | | | | | | | |
| <small>²Consult Factory</small> | | | | | | | |
| Optics | 9 | Sensors/Controls | 10 | Circuit | 11 | Options | 12 |
| SD | Standard Diffuser | NA None ACM Acuity nLight Module Only CCS Casambi Module | | NA None EM120V Emergency Pack EM277V Emergency Pack EMCKT Emergency Circuit DAYCKT Daylight Circuit | | NA None WH 6ft whips preinstalled CP Chicago Plenum | |
| <small>Consult factory for other options.</small> | | | | | | | |

Performance

| Output ¹ | Watts/ft | Lumens/ft |
|---------------------|----------|-----------|
| Low | 5 | 261 |
| Medium | 7 | 350 |
| High | 10 | 498 |

¹Based on a typically configured 90 CRI, 3500K luminaire using one driver.

Custom outputs available. Please consult factory.
For 4000K multiply by 1.05; for 3000K 0.96; for 2700K, 0.92

Technical Information



click [here](#) or scan QR code

Wiring diagrams, PoE and sensor details

Modification date: October, 2021

Page 2 of 4

U recessed

Drivers & Electrical

Integral drivers* with 0-10V Dimming standard. Several other driver options available; see ordering information.

*DMX drivers are provided in remote enclosures.

Controls

Control modules may be mounted within luminaires or remotely.

Emergency Back-Up

For fixtures three-feet or longer, a 4W integral emergency driver may be wired to 4ft sections. 7W, 10W, and 12W drivers are also available (not all integral; consult factory). Emergency circuits for use with building generators are also available.

PoE (Power over Ethernet)

Compatible with virtually all PoE systems including Molex Coresync, Igor, Smartengine, Platformatics, and NuLED SPICEbox. Consult Factory for systems not listed, See [here](#) for more info.

Finishes

All luminaires are finished in high quality polyester powder coating. Our standard color is white. Any RAL color may be specified.

Weight

per foot

Optics

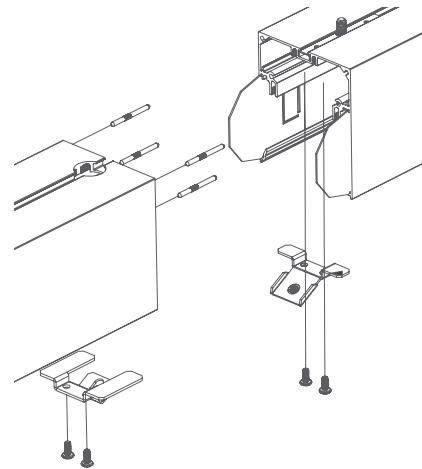
Extruded satin acrylic lenses provide excellent diffusion, high transmission, and no LED imaging.

Construction

Housings are extruded premium, recycled aluminum. Individual fixtures are available up to 12' long and may be specified as nominal or precision lengths. Precision lengths are supplied within 1/8" tolerance.

Joined Runs

Runs of any length may be specified and are comprised of multiple, factory-engineered, joined sections. Individually specified luminaires are not field joinable.



Representative joinery. For product specific details see installation guides or submittal drawings.

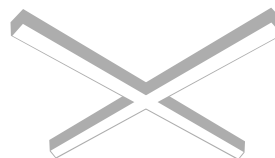
Patterns

Featuring illuminated welded corners and angles. Consult factory for custom designs.

Square



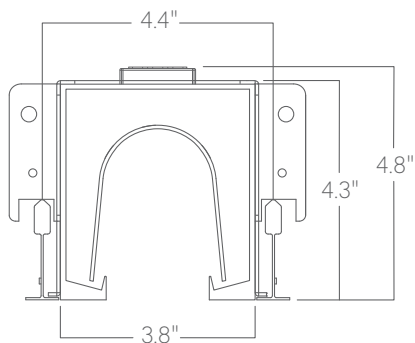
X



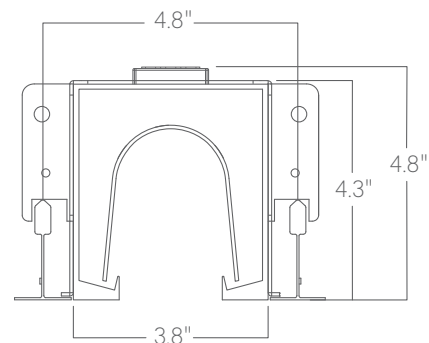
U recessed

Mounting Options

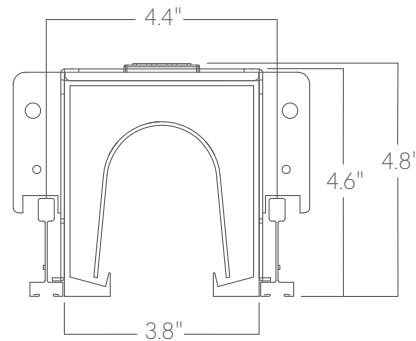
Custom mounting types and ceiling transitions available; consult factory.



T
9/16" tee grid



T15
15/16" tee grid



SG
slot grid