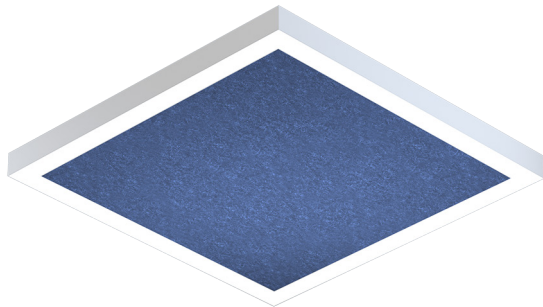


Square STFU 2x2

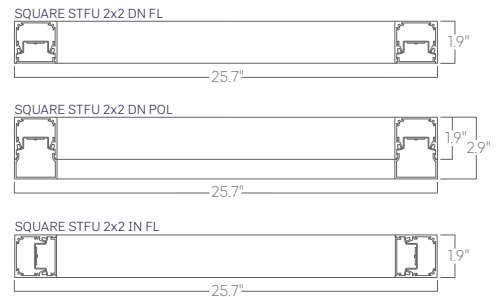


For noise reduction and architectural lighting in one, the STFU series offers a wide range of acoustic felt colors, shapes, profiles, and mounting options.

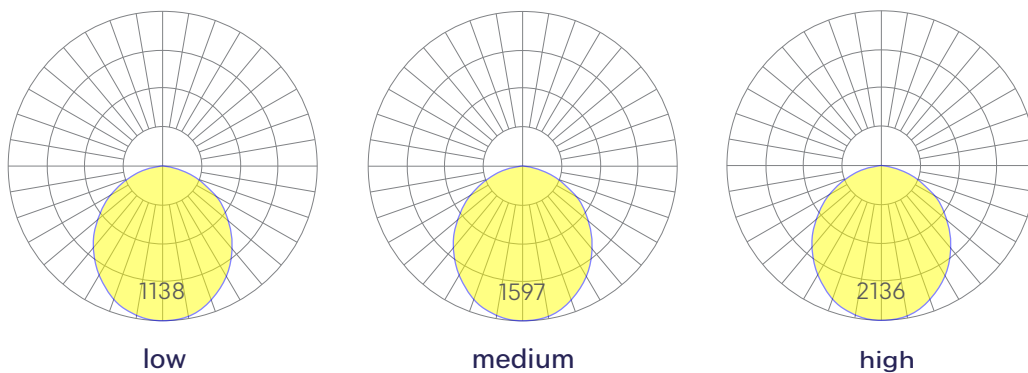
Features

- 20 specifiable colors of recycled PET acoustic felt
- Noise Reduction Coefficient of .75
- Power Over Wire system eliminates power cord
- Aluminum core LED boards, specifiable output
- Specifiable color temperature. CRI > 90, R9 >50
- Specifiable, dimmable drivers or PoE
- 5 Year, 50,000 hour warranty
- WELL Building Standard compatible [learn more](#)

Dimensions



Optics



Representative distribution and peak candela. For other options see order information or IES files [here](#).

Square STFU 2x2

Ordering Information



Example: SQUARE STFU - X - 35 - MED - UNV - DB - W - AC - SD - CCS - DAYCKT - NA

Fixture ID <input type="text" value="1"/>	Length <input type="text" value="2"/>	Color Temperature <input type="text" value="3"/>	Output <input type="text" value="4"/>
SQUARE STFU	2x2	27 2700K/90 CRI 30 3000K/90 CRI 35 3500K/90 CRI 40 4000K/90 CRI 50 5000K/90 CRI WD¹ Warm Dim 2200K-3000K TW² Tunable white 2700K-6500K RGBW30³ RGB +white, 3000k RGBW35³ RGB +white, 3500k RGBW40³ RGB +white, 4000k <small>¹Must use WD10 driver ²Must use TW10 or PSdriver ³Must use remote DMX driver</small>	LOW Low output MED Medium output HIGH High output CUST Custom output ¹ <small>¹consult factory</small>
Voltage <input type="text" value="5"/>	Driver <input type="text" value="6"/>	Finish <input type="text" value="7"/>	Mounting <input type="text" value="8"/>
UNV 347V¹ Universal (120/277V) 347V	DB Standard 0-10V 1% DB.1% 0-10V 0.1% ELV 2-wire 1% (120V only) TRI Forward phase (120V only) LDE1 Lutron Digital EcoSystem JA8 JA8 compliant 1% dimming DALI DALI-2 Driver PoE Power over ethernet. TW10 Dual channel, 0-10V for tunable white. WD10 0-10V Warm Dim PSQ Lutron T-Series 2-channel 1% for tunable white DMX¹ DMX512 <small>¹Set to default address 001. RDM capable. Contact us for other addressing needs. All DMX drivers provided in remote enclosures.</small>	7a - Housing W White BLK Black CC¹ Custom color 7b - Felt W White BLK Black MG Marbled grey TP Taupe CH Charcoal <small>¹Custom Color. See finish options here. More felt colors available. See page 4 White SJ cord and canopy provided, for other requests, see section 12 to specify.</small>	ACP Power Over Aircraft Cable AC Aircraft Cable (50") PS-X Pendant Stem (12", 18", 24", 36", 48") <small>White stems and canopy provided. Must specify other requests.</small>
Optics <input type="text" value="9"/>	Sensors/Controls <input type="text" value="10"/>	Circuit <input type="text" value="11"/>	Options <input type="text" value="12"/>
FL Flush lens POL 1" Pop-out-lens	NA None EIS Enlighted sensor WISM Wattstopper occupancy sensor WISD Wattstopper daylight sensor ECS Eaton WaveLinx sensor ACM Acuity nLight module only ACS Acuity nLight sensor CCS Casambi module <small>Consult factory for other options.</small>	NA None EM120V Emergency Pack EM277V Emergency Pack EMCKT Emergency Circuit DAYCKT Daylight Circuit	NA None CAN-X¹ Canopy + color SJ-X² SJ Cord + color <small>¹White SJ cord and canopy provided, use above nomenclature for other requests. ²See finish options here.</small>

Performance

Output ¹	Watts/ft	Lumens/ft
Low	40	3067
Medium	58	4318
High	80	5777

¹Based on a typically configured 90 CRI, 3500K luminaire using one driver.

Custom outputs available. Please consult factory.
For 4000K multiply by 1.05; for 3000K 0.9; for 2700K, 0.92

Technical Information



click [here](#) or scan QR code

Wiring diagrams, PoE and sensor details

Modification date: October, 2021

Page 2 of 4

Square STFU 2x2

Drivers & Electrical

Our Power Over Wire system delivers power to the luminaire via suspension cables, eliminating a separate power feed. Drivers are housed in the luminaire canopy or in factory supplied remote enclosures¹. All drivers are dimmable.

¹See order information for more details.

Emergency Back-Up

Emergency, battery-powered drivers are available. Emergency circuits for use with building generators are also available.

PoE (Power over Ethernet)

Compatible with virtually all PoE systems including Molex Coresync, Igor, Smartengine, Platformatics, and NuLED SPICEbox. Consult Factory for systems not listed, See [here](#) for more info.

Weight

10 lbs

Optics

Extruded satin acrylic lenses provide excellent diffusion, high transmission, and no LED imaging.

Construction

Extruded, recycled aluminum with recycled PET acoustic felt.

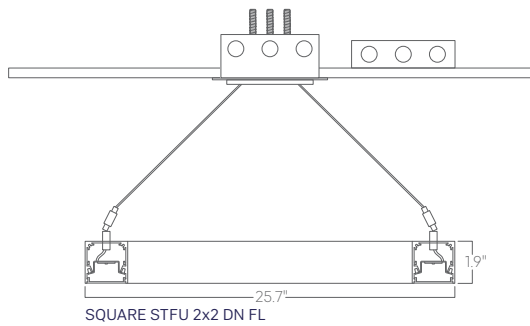
Finishes

All luminaires are finished in high quality polyester powder coating. Our standard color is white. Any RAL color may be specified.

Square STFU 2x2

Mounting

Aircraft cable / Power over aircraft cable



Pendant stem

