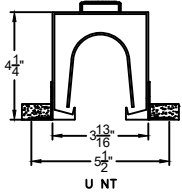


INSTALLATION GUIDE-RECESSED FLANGELESS

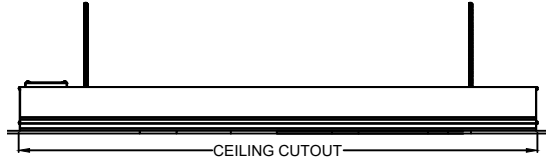


Risk of fire and electrical shock. In accordance with national local building and electrical codes, CORONET lighting fixtures must be installed by a qualified electrician. Disconnect power at electrical panel before servicing.

CROSS SECTION VIEW



SIDE VIEW

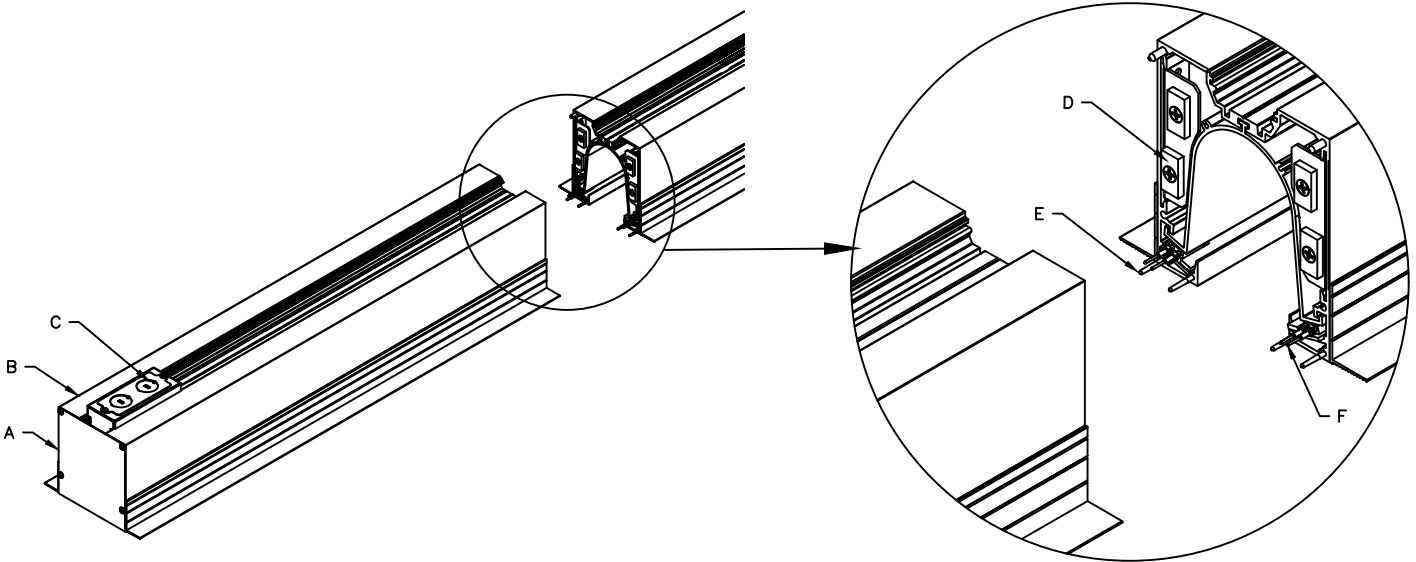


PLEASE CONSULT FACTORY SHOP DRAWINGS FOR SUSPENSION POINTS

PART LIST

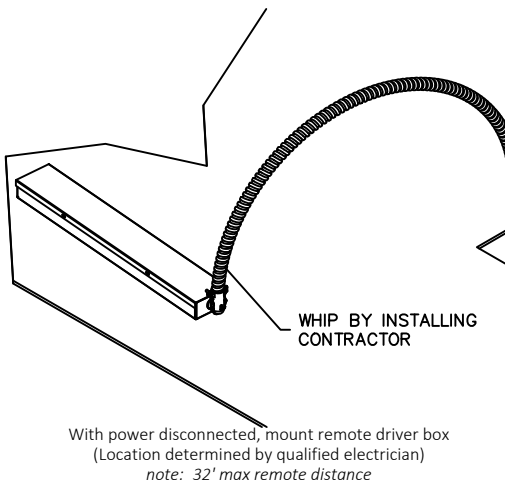
- A-End Plate
- B-Extrusion
- C-Power Feed Bracket
- D-Magnet
- E-Aligner Pin
- F-LED Connector Pin

EXPLODED CONNECTION DETAIL

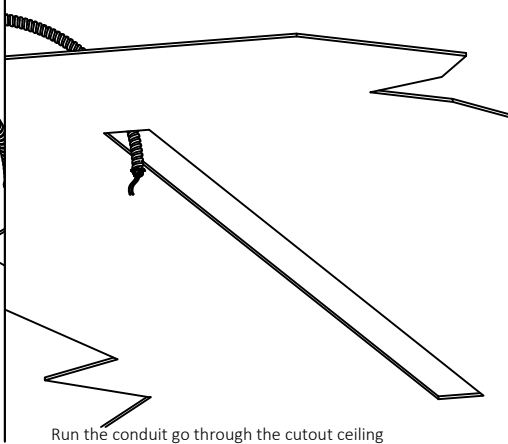


EXPLODED VIEWS ARE TO SHOW DETAIL ONLY, FIXTURES ARE SHIPPED PRE-ASSEMBLED.

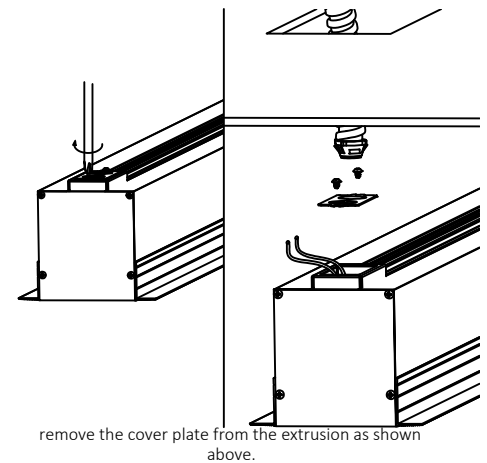
1 WIRING TO REMOTE BOX



2 MOUNTING FIXTURE



3

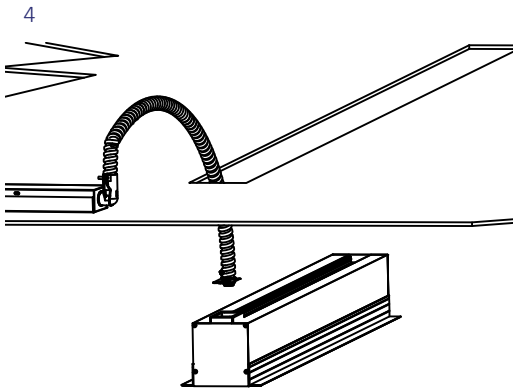


*NOTE: JUNCTION BOXES MUST BE SOLIDLY FIXED TO THE CEILING AND ATTACHED TO THE STRUCTURAL MEMBER INSIDE THE CEILING BEFORE PROCEEDING WITH INSTALLATION.

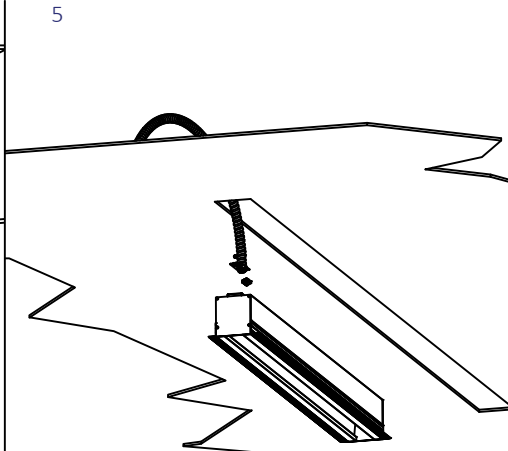
INSTALLATION GUIDE-RECESSED FLANGELESS



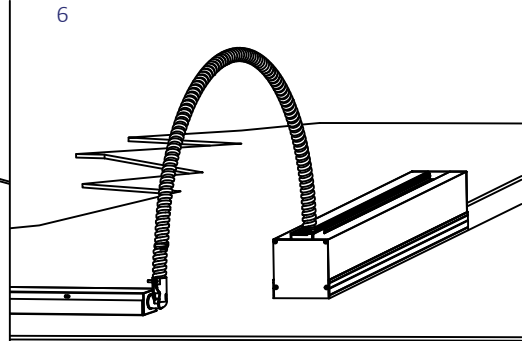
Risk of fire and electrical shock. In accordance with national local building and electrical codes, CORONET lighting fixtures must be installed by a qualified electrician. Disconnect power at electrical panel before servicing.



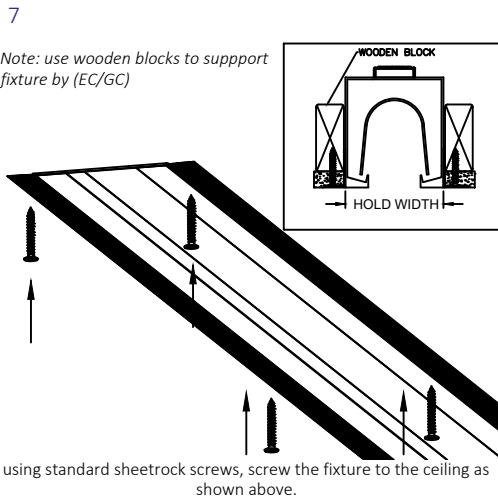
4 Insert the conduit into standard knock out hole



5 use a wago connector, to match the leads coming out of the conduit with the leads coming out of the fixture.

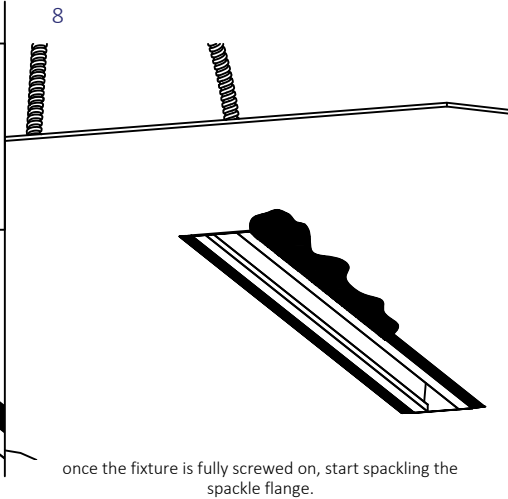


6 Insert fixture in ceiling cutout.

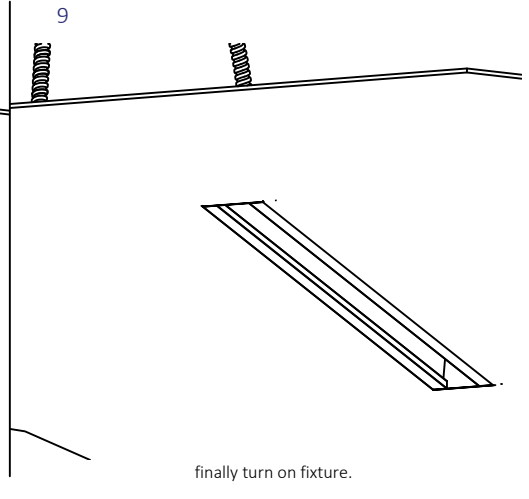


Note: use wooden blocks to support fixture by (EC/GC)

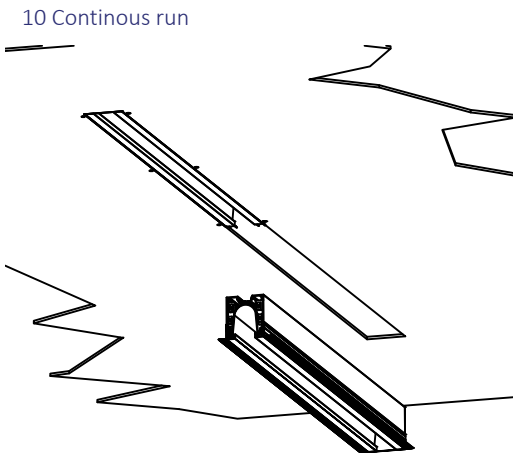
7 using standard sheetrock screws, screw the fixture to the ceiling as shown above.



8 once the fixture is fully screwed on, start spackling the spackle flange.

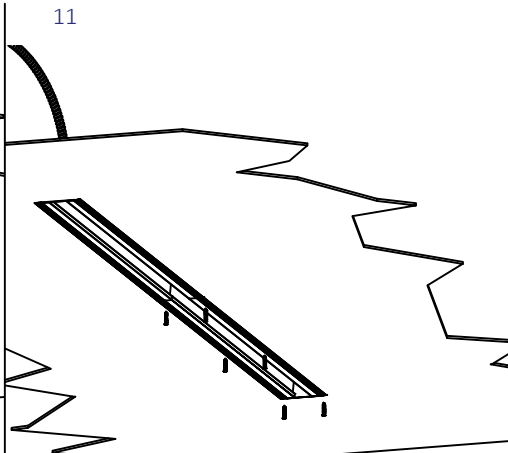


9 finally turn on fixture.

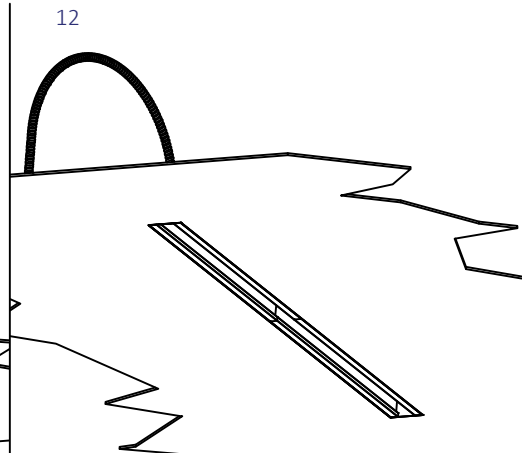


10 Continuous run Follow steps 1-7 to install the first section of the run,next bring up the second section up the ceiling, and align fixtures until the magnets starts pulling it together.

NOTE: JUNCTION BOXES MUST BE SOLIDLY FIXED TO THE CEILING AND ATTACHED TO THE STRUCTURAL MEMBER INSIDE THE CEILING BEFORE PROCEEDING WITH INSTALLATION.



11 once the two sections of the run are fully connected, secure the fixture by using anchor screws through the spackle flange,next repeat step 8.



12 finally turn on continuous run.



Risk of fire and electrical shock. In accordance with national local building and electrical codes, CORONET lighting fixtures must be installed by a qualified electrician. Disconnect power at electrical panel before servicing.

GENERAL INSTALLATION CONSIDERATIONS - See submittal drawings for job specific data.

Operating Temperature.....-40°C to 50°C
Operating Voltage.....110VAC-277VAC, 50Hz-60Hz
Weight..... lb/ft
Dimensions.....See submittal drawings

- Installation by a certified electrician only.
- Read and understand the installation instructions before attempting to install or use the fixture.
- Only use fixtures with voltage for which it is rated. Do not exceed the specified voltage and current input.
- Do not use the fixture if the housing, lens, or power cable is damaged.
- Ensure that the main power supply is off before installing or wiring the fixture.
- Method of wire connection to be determined by local electrical codes and regulations.
- The external flexible cable of this luminaire cannot be field replaced; if the cord is damaged, contact Coronet.
- The light source contained in this luminaire shall only be replaced by the lighting manufacturer or his service agent or a similar qualified person.

NOTE: JUNCTION BOXES MUST BE SOLIDLY FIXED TO THE CEILING AND ATTACHED TO THE STRUCTURAL MEMBER INSIDE THE CEILING BEFORE PROCEEDING WITH INSTALLATION.