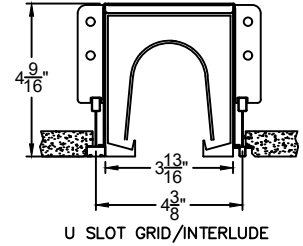
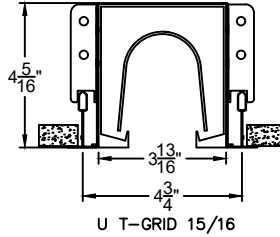
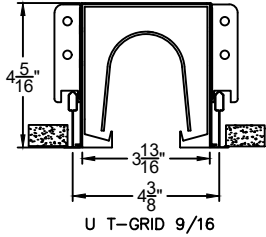


INSTALLATION GUIDE-RECESSED

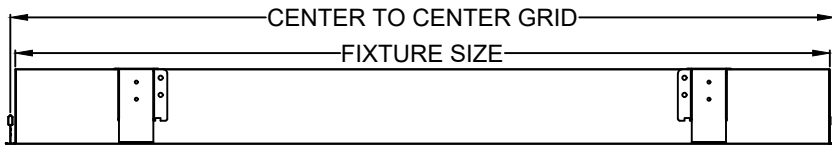


Risk of fire and electrical shock. In accordance with national local building and electrical codes, CORONET lighting fixtures must be installed by a qualified electrician. Disconnect power at electrical panel before servicing.

CROSS SECTION VIEW



SIDE VIEW

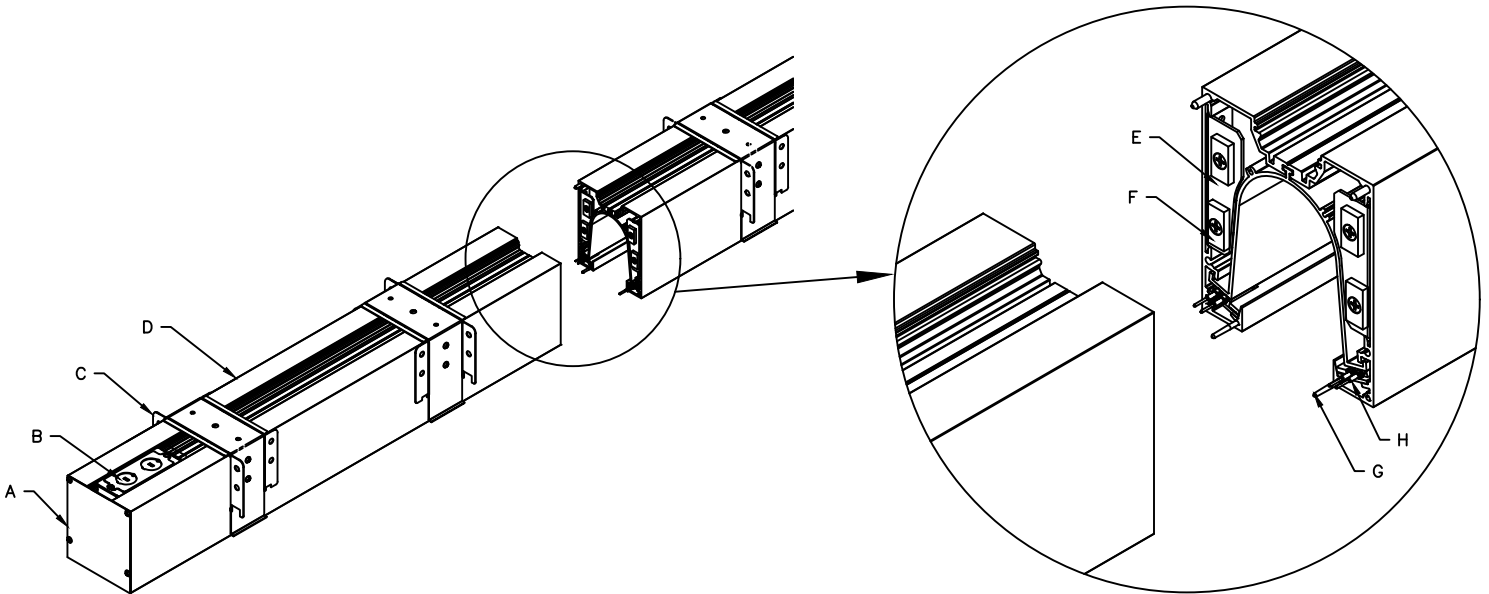


PLEASE CONSULT FACTORY SHOP DRAWINGS FOR FIXTURE SIZE

PART LIST

- A-End Plate
- B-Power feed Bracket
- C-Grid Bracket
- D-Extrusion
- E-Magnet
- F-Connecting Bracket
- G-Pin
- H-Board connectors

EXPLODED DETAIL:



INDIVIDUAL FIXTURES ARE NOT INTENDED FOR CONTINUOUS RUNS.
 ADDITIONAL SUPPORTS TO THE STRUCTURE MAY BE REQUIRED.
 *CHECK WITH YOUR LOCAL BUILDING CODE FOR THOSE REQUIREMENTS.

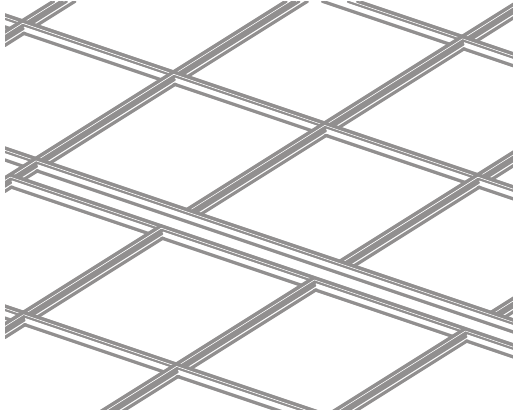
*NOTE: JUNCTION BOXES MUST BE SOLIDLY FIXED TO THE CEILING AND ATTACHED TO THE STRUCTURAL MEMBER INSIDE THE CEILING BEFORE PROCEEDING WITH INSTALLATION.

INSTALLATION GUIDE-RECESSED



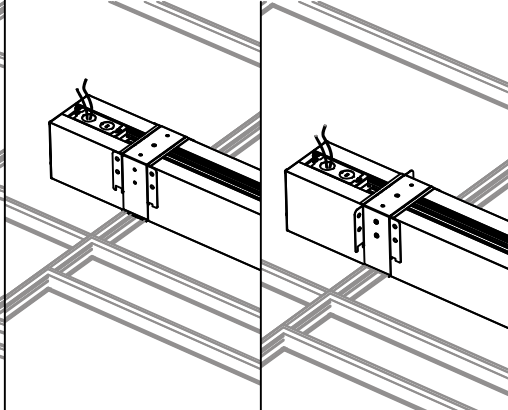
Risk of fire and electrical shock. In accordance with national local building and electrical codes, CORONET lighting fixtures must be installed by a qualified electrician. Disconnect power at electrical panel before servicing.

1 WIRING TO REMOTE BOX



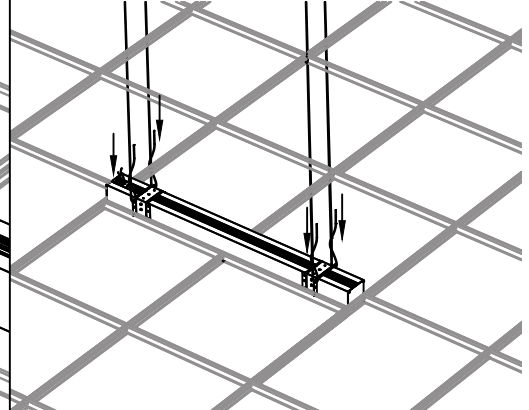
Create grid frame for fixture using the dimensions provided on the summittal drawing
note: consult factory for summittal drawing

2 MOUNTING FIXTURE



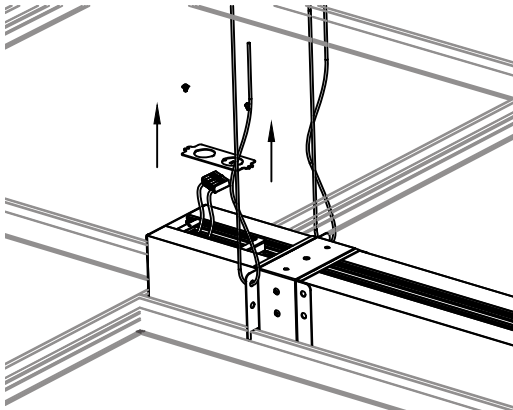
Pull out tabs before installing into the $\frac{5}{8}$ " grid ceiling (use other tabs for slot grid ceiling)

3



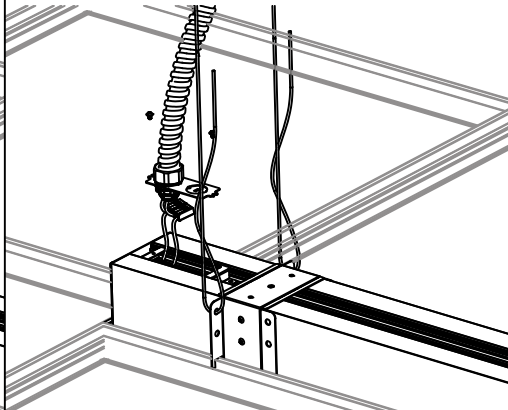
Drop fixture into grid ceiling frame and let the fixture brackets rest on grid and use wire ties to add extra support on the fixture as shown.
note: consult factory for summittal drawing

4



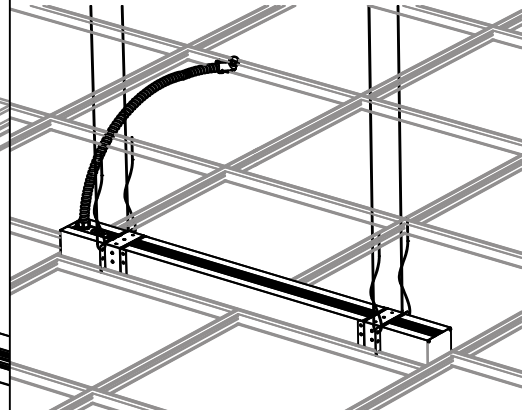
Remove per feed plate, and remove knock out to install whip on the fixture.

5



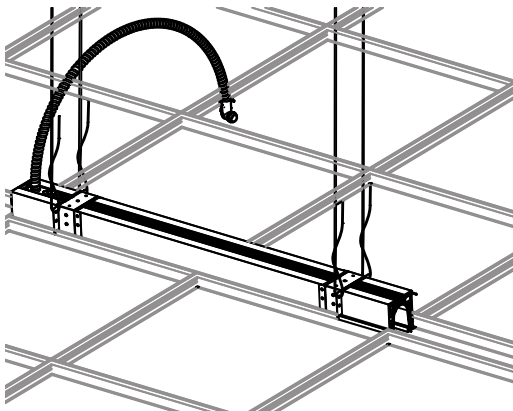
Attach whip into $\frac{7}{8}$ " knock out hole, and connect wires by using wage connectors or wire nuts.

6



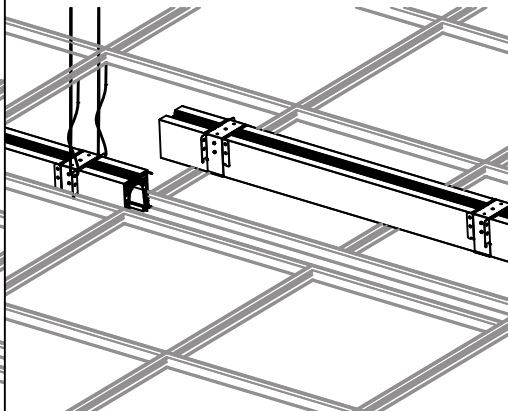
Screw power feed plate back into the fixture, and use whip to wire fixture to the remote driver box.

7 Continous run



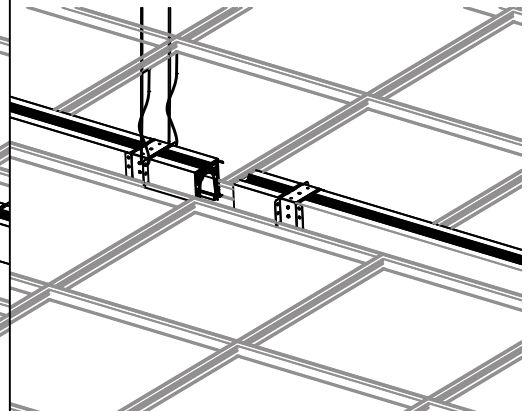
Follow steps 1-6 to mount the beginning fixture into ceiling.

8



Repeat step 1 & 2 to mount the second fixture into ceiling

9



once the fixture is resting on the grid, align them by using a pin, and allow the magnets to pull the fixtures together.

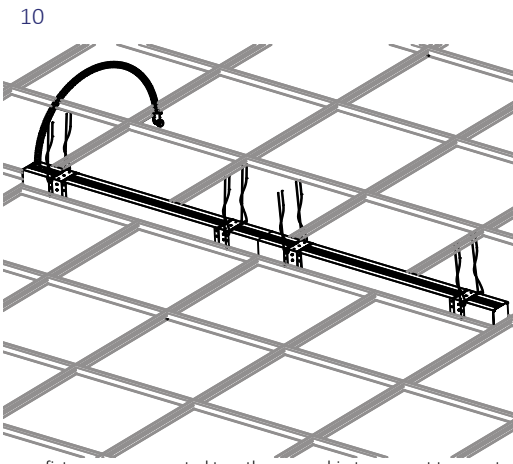
NOTE: JUNCTION BOXES MUST BE SOLIDLY FIXED TO THE CEILING AND ATTACHED TO THE STRUCTURAL MEMBER INSIDE THE CEILING BEFORE PROCEEDING WITH INSTALLATION.

INSTALLATION GUIDE-RECESSED



Risk of fire and electrical shock. In accordance with national local building and electrical codes, CORONET lighting fixtures must be installed by a qualified electrician. Disconnect power at electrical panel before servicing.

10



once fixtures are connected together, use whip to connect to remote driver box.

GENERAL INSTALLATION CONSIDERATIONS - See submittal drawings for job specific data.

Operating Temperature.....-40°C to 50°C
Operating Voltage.....110VAC-277VAC, 50Hz-60Hz
Weight..... lb/ft
Dimensions.....See submittal drawings

- Installation by a certified electrician only.
- Read and understand the installation instructions before attempting to install or use the fixture.
- Only use fixtures with voltage for which it is rated. Do not exceed the specified voltage and current input.
- Do not use the fixture if the housing, lens, or power cable is damaged.
- Ensure that the main power supply is off before installing or wiring the fixture.
- Method of wire connection to be determined by local electrical codes and regulations.
- The external flexible cable of this luminaire cannot be field replaced; if the cord is damaged, contact Coronet.
- The light source contained in this luminaire shall only be replaced by the lighting manufacturer or his service agent or a similar qualified person.

NOTE: JUNCTION BOXES MUST BE SOLIDLY FIXED TO THE CEILING AND ATTACHED TO THE STRUCTURAL MEMBER INSIDE THE CEILING BEFORE PROCEEDING WITH INSTALLATION.