

DATE \_\_\_\_\_ PROJECT \_\_\_\_\_ FIRM \_\_\_\_\_ TYPE \_\_\_\_\_



Cylindrical architectural luminaire with full round illumination. For use in indoor applications where an LED luminaire providing continuous light is required.

### FEATURES

- Available In Made To Measure Lengths Accurate To 1/16"
- Damp Location Rated
- CRI 90+ Standard; R9>50
- 5 Year, 50,000 Hour Fixture Warranty
- 2700K, 3000K, 3500K, 4000K & 5000K Color Temperatures Available
- Available in PoE

**APPLICATIONS** Offices, Lobbies, Retail Stores, Classrooms, Reception Areas & Corridors

**CONSTRUCTION** Extruded Aluminum Housing with Die Cast Ends. **OPTICS** Extruded High Transmission Satin Acrylic Lens with No LED Imaging.

**WARRANTY** 5 Year Limited Warranty (Covers Standard Components) **FINISH** Standard Powder-Coated White. Custom RAL Colors Available

**FIXTURE RATINGS & CERTIFICATIONS** Union Made Made In The USA ETL Listed Damp Location

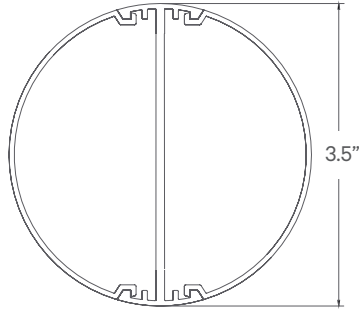


**DRIVERS & SENSORS**  
For Wiring Diagrams and Sensor Information Click [Here](#)



**ELECTRICAL** Remote Driver with 0-10V Dimming Standard or 'Power Over Wire' System Which Eliminates Power Feed Cord By Combining The Aircraft Cable and Power Feed

### EXTRUSION DIMENSIONS



### LED SYSTEM INFORMATION

	Nominal System Watts	Nominal Delivered Lumens	Nominal Efficacy
Standard (LTG1)	6 W/ft	607 lm/ft	101 LPW
Low (LTG2)	4 W/ft	415 lm/ft	102 LPW
High (LTG3)	8.25 W/ft	810li lm/ft	98 LPW

Based on a 3500K luminaire using one driver. Custom outputs available; specify below.

**ORDERING** 1 2 3 4 5 6 7 8 9 10

- 1 - FIXTURE ID**  
FLRD LED
- 2 - LENGTH**  
2 - 2 ft  
4 - 4 ft  
8 - 8 ft  
X'-X" - Specify Length
- 3 - COLOR TEMP**  
27 - 2700K/90 CRI  
30 - 3000K/90 CRI  
35 - 3500K/90 CRI  
40 - 4000K/90 CRI  
50 - 5000K/90 CRI  
TW\* - Tunable White  
RGBW\*\* - RGB + 3000K  
\*Must use DMX or TW10 Driver  
\*\*Must use DMX Driver
- 4 - LED SYSTEM**  
LTG1 - Standard  
LTG2 - Low  
LTG3 - High  
LTGC - Custom Output
- 5 - VOLTAGE**  
UNV - Universal (120/277V)
- 6 - DRIVER**  
DB - Standard Dimming (0-10V)  
DB1% - 1% Dimming (0-10V)  
DB.1% - 0.1% Dimming (0-10V)  
LTEA - Lutron 2-wire 1% Dimming (120V only)  
LDE1 - Lutron Digital EcoSystem  
LDE5 - 5 Series EcoSystem; 5% Dimming  
PoE - Power over Ethernet. Consult Factory for Compatibility  
DMX - For Color Tuning and RGBW (Remote)  
TW10 - Dual Channel, 0-10V For Color Tuning (CCT and Intensity Control)

- 7 - FINISH**  
W - White (Standard)  
BLK\* - Black  
CC\* - Custom Color (provide RAL#)
- 8 - MOUNTING**  
ACP - Power Over Aircraft Cable
- 9 - OPTICS**  
SD - Standard Diffuser
- 10 - OTHER OPTIONS**  
EMCKT - Emergency Circuit

\*White cord and canopy provided. Must specify for other requests.