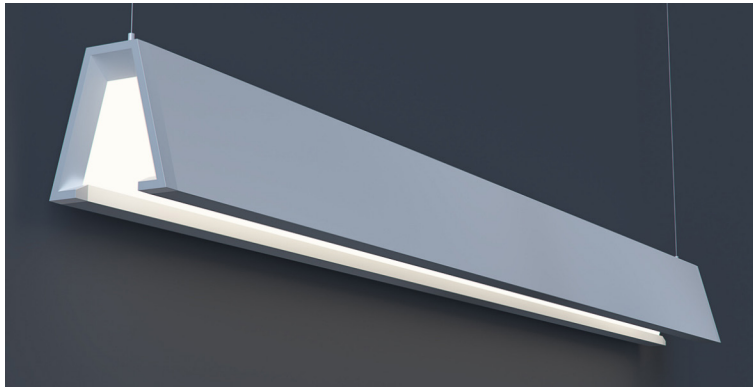


DATE _____ PROJECT _____ FIRM _____ TYPE _____



Inverted 'V' shaped fixture with indirect facing LED modules illuminating the interior of the luminaire providing optimal performance with zero glare. Completely seamless continuous light regardless of fixture length. Also featuring continuous uplight.

FEATURES

- Available In Made To Measure Lengths Accurate Up To 2"
- Damp Location Rated
- CRI 90+ Standard; R9>50
- 5 Year, 50,000 Hour Fixture Warranty
- 2700K, 3000K, 3500K & 4000K Color Temperatures Available
- Available with PoE

APPLICATIONS Offices, Lobbies, Retail Stores, Classrooms, Reception Areas & Corridors

CONSTRUCTION Extruded Aluminum Housing and Reflector with Die Cast Ends | **OPTICS** Concealed LED Source Uplighting with Optically Coated White Reflector and No LED Imaging.

WARRANTY 5 Year Limited Warranty (Covers Standard Components) | **FINISH** Standard Powder-Coated White. Custom RAL Colors Available

FIXTURE RATINGS & CERTIFICATIONS Union Made ETL Listed | Made In The USA Damp Location Rated



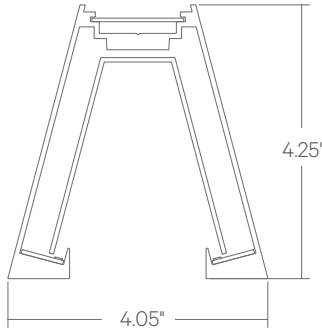
DRIVERS & SENSORS

For Wiring Diagrams and Sensor Information Click [Here](#)



ELECTRICAL Remote Driver with 'Power Over Wire' System Which Eliminates Power Feed Cord By Combining The Aircraft Cable and Power Feed

EXTRUSION DIMENSIONS



LED SYSTEM INFORMATION

	Nominal System Watts		Nominal Delivered Lumens	
	DIRECT	INDIRECT	DIRECT	INDIRECT
Standard (LTG1)	7 W/ft	7 W/ft	310 lm/ft	700 lm/ft
Low (LTG2)	5 W/ft	5 W/ft	220 lm/ft	470 lm/ft
High (LTG3)	10 W/ft	10 W/ft	475 lm/ft	780 lm/ft

Based on a 3500K luminaire using one driver. Custom outputs available; specify below.

ORDERING 1 2 3 IN - 4-DIRECT 5 6 7 8 9 10

1 - FIXTURE ID	2 - LENGTH	3 - COLOR TEMP	4 - LED SYSTEM	5 - VOLTAGE	6 - DRIVER (Remote)
V UP/DN	2 - 2 ft 4 - 4 ft 8 - 8 ft X'-X" - Specify Length (2" Increments)	27 - 2700K/90 CRI 30 - 3000K/90 CRI 35 - 3500K/90 CRI 40 - 4000K/90 CRI	IN - INDIRECT LTG1 - Standard LTG2 - Low LTG3 - High LTGC - Custom Output	D - DIRECT LTG1 - Standard LTG2 - Low LTG3 - High LTGC - Custom Output	UNV - Universal (120/277V) DB - Standard Dimming (0-10V) DB1% - 1% Dimming (0-10V) DB.1% - 0.1% Dimming (0-10V) LTEA - Lutron 2-wire 1% Dimming (120V only) LDE1 - Lutron Digital EcoSystem LDE5 - 5 Series EcoSystem; 5% Dimming PoE - Power over Ethernet. Consult Factory for Compatibility

7 - FINISH	8 - MOUNTING	9 - OPTICS (Indirect)	10 - OTHER OPTIONS
W - White (Standard) BLK* - Black CC* - Custom Color (provide RAL#)	ACP - Power Over Aircraft Cable	SD - Standard Diffuser AVI-BW - 140° AVI-OPTIC Batwing	DC - Dual Circuit (Separate Up/Dn Control) EM 120V - Emergency Pack (remote) EM 277V - Emergency Pack (remote) EMCKT - Emergency Circuit

*White canopy provided. Must specify for other requests.