

PG2 perimeter glow

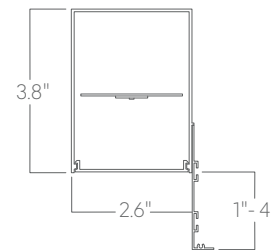


Our Perimeter Glow luminaires regress into ceilings at the edges of spaces, providing subtle, even, vertical illumination. Custom lengths and patterns are tailored to suit any modern space.

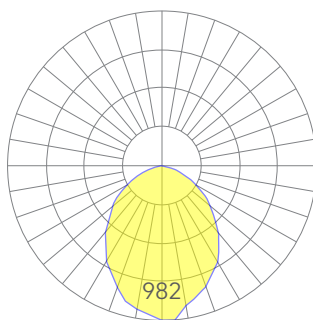
Features

- Extruded, recycled, premium aluminum housing
- Optional, field-adjustable telescopic ends
- Aluminum core LED boards, specifiable optics
- Specifiable color temperature. CRI > 90, R9 >50
- Custom lengths and finishes available
- Specifiable dimmable drivers or PoE
- 5 Year, 50,000 hour warranty
- WELL Building Standard compatible [learn more](#)

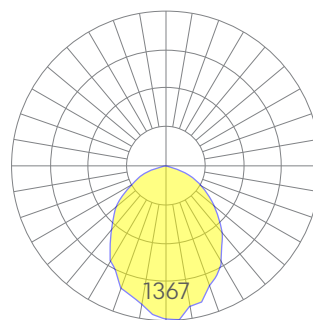
Dimensions



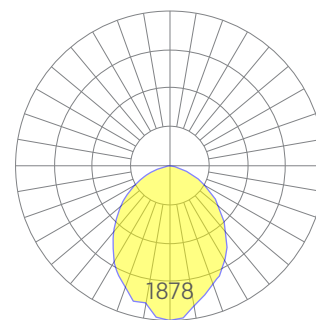
Optics



low



medium



high

Representative distribution and peak candela. For other options see order information or IES files [here](#).

PG2 perimeter glow

Ordering Information



Example: PG2 - 8 - 35 - MED - UNV - DB - W - AC - RG - CCS - DAYCKT - NA

| Fixture ID | 1 | Length | 2 | Color Temperature | 3 | Output | 4 |
|--|---------------------------------|---|----|---|----|---|----|
| PG2 | | 2 2 ft 4 4 ft 8 8 ft X'-X" Specify Length ¹ PAT Pattern (Consult Factory) | | 27 2700K/90 CRI 30 3000K/90 CRI 35 3500K/90 CRI 40 4000K/90 CRI 50 5000K/90 CRI WD ¹ Warm Dim 2200K-3000K TW ² Tunable White 2700K-6500K | | LOW Low output MED Medium output HIGH High output CUST Custom output ¹ | |
| | | ¹ Precision lengths may be specified to the nearest 1/8". | | ¹ Must use WD10 driver. ² Must use TW10 or PSQ driver. | | ¹ consult factory | |
| Voltage | 5 | Driver | 6 | Finish | 7 | Mounting | 8 |
| UNV 347V ¹ | Universal (120/277V) 347V | DB Standard 0-10V 1% DB.1% 0-10V 0.1% ELV 2-wire 1% (120V only) TRI Forward phase (120V only) LDE1 Lutron Digital EcoSystem DALI DALI-2 Driver PoE Power over ethernet. TW10 Dual channel, 0-10V for tunable white. WD10 0-10V Warm Dim PSQ Lutron T-Series 2-channel 1% for tunable white DMX ¹ DMX512 | | W White BLK Black CC ¹ Custom Color CWF ¹ Custom Wood Finish | | T 9/16" Tee Grid T15 15/16" Tee Grid NT Mud-in Flange | |
| | ¹ Must use DB Driver | ¹ Set to default address 001.RDM capable. Contact us for other addressing needs. | | ¹ Custom Color. See finish options here. White SJ cord and canopy provided, for other requests, see section 12 to specify. | | | |
| Optics | 9 | Sensors/Controls | 10 | Circuit | 11 | Options | 12 |
| 1" RG 1 inch regress 2" RG 2 inch regress 3" RG 3 inch regress 4" RG 4 inch regress | | NA None ACM Acuity nLight Module Only CCS Casambi Module | | NA None EM120V Emergency Pack EM277V Emergency Pack EMCKT Emergency Circuit DAYCKT Daylight Circuit | | NA None TA ¹ Telescopic adjustable end WH6 6ft whips preinstalled CP Chicago Plenum | |
| | | Consult factory for other options. | | | | ¹ See page 4 for details | |

Performance

| Output ¹ | Watts/ft | Lumens/ft |
|---------------------|----------|-----------|
| Low | 5 | 475 |
| Medium | 7 | 655 |
| High | 10 | 910 |

¹Based on a typically configured 90 CRI, 3500K luminaire using one driver.

Custom outputs available. Please consult factory.
For 4000K multiply by 1.05; for 3000K 0.96; for 2700K, 0.92.

Technical Information



click [here](#) or scan QR code

Wiring diagrams, PoE and sensor details

Modification date: October, 2021

Page 2 of 5

PG2 perimeter glow

Drivers & Electrical

Integral drivers* with 0-10V Dimming standard. Several other driver options available; see ordering information.

*DMX drivers are provided in remote enclosures.

Sensors & Controls

Sensors are installed on an aluminum plate adjacent to the luminaire lens¹. Coronet remains agnostic in our approach to sensors and control systems; our fixtures are compatible with most systems offered.

¹Not applicable to indirect only models. Consult factory.

Emergency Back-Up

For fixtures three-feet or longer, a 4W integral emergency driver may be wired to 4ft sections. 7W, 10W, and 12W drivers are also available (not all integral; consult factory). Emergency circuits for use with building generators are also available.

PoE (Power over Ethernet)

Compatible with virtually all PoE systems including Molex Coresync, Igor, Smartengine, Platformatics, and NuLED SPICEbox. Consult Factory for systems not listed, See [here](#) for more info.

Finishes

All luminaires are finished in high quality polyester powder coating. Our standard color is white. Any RAL color may be specified.

Weight

5 lbs per foot

Patterns

Featuring illuminated welded corners and angles. Consult factory for custom designs.

Optics

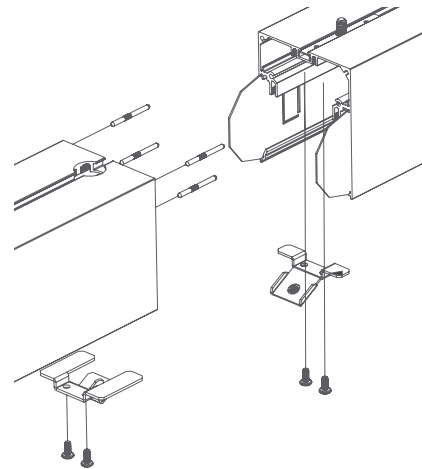
Extruded satin acrylic lenses provide excellent diffusion, high transmission, and no LED imaging.

Construction

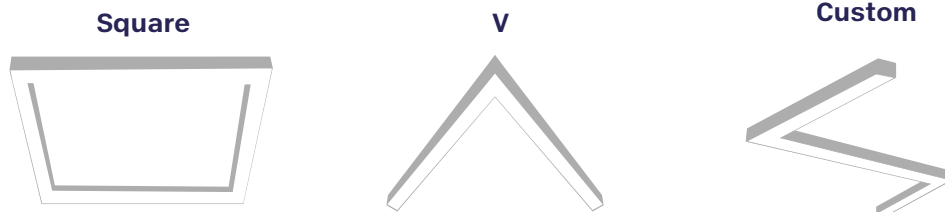
Housings are extruded premium, recycled aluminum. Individual fixtures are available up to 12' long and may be specified as nominal or precision lengths. Precision lengths are supplied within 1/8" tolerance.

Joined Runs

Runs of any length may be specified and are comprised of multiple, factory-engineered, joined sections. Individually specified luminaires are not field joinable.



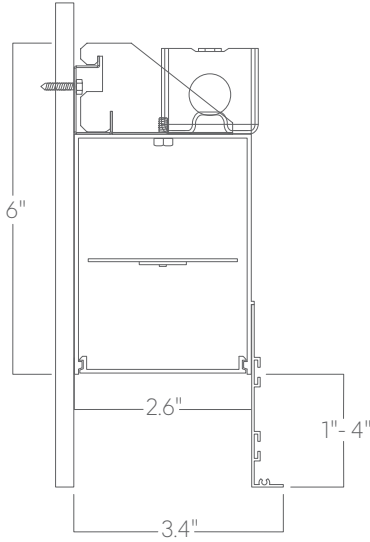
Representative joinery. For product specific details see installation guides or submittal drawings.



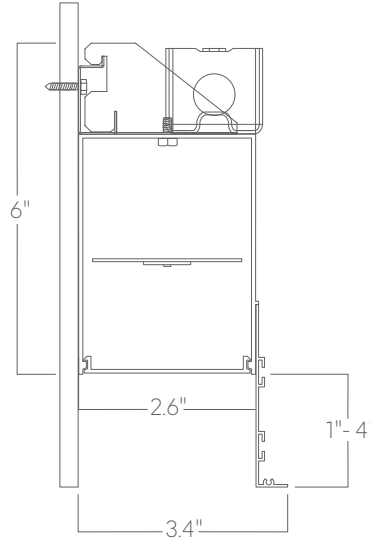
PG2 perimeter glow

Mounting Options

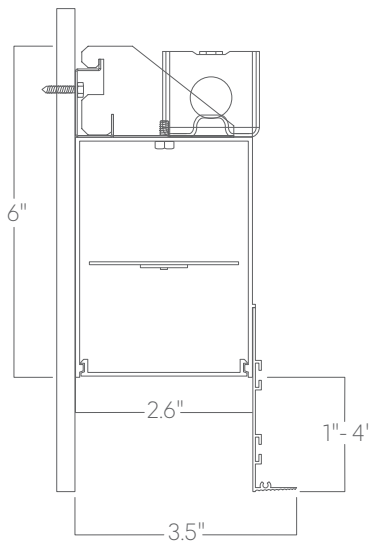
Custom mounting types and ceiling transitions available; consult factory.



T
9/16" tee grid



T15
15/16" tee grid

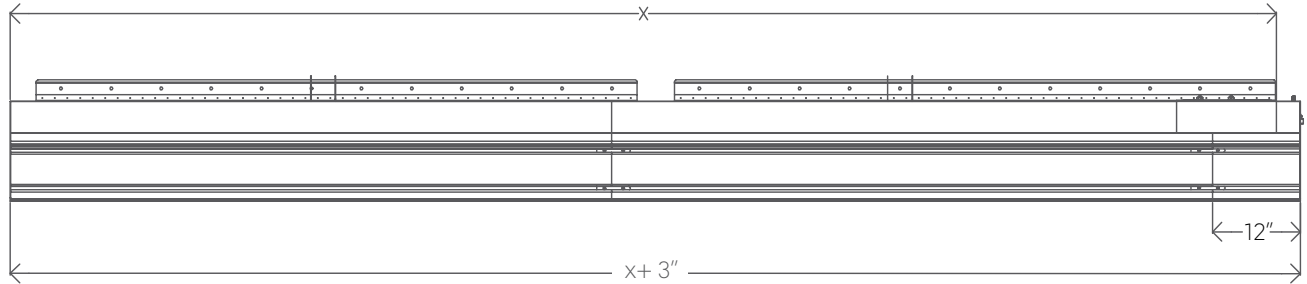


NT
mud-in flange

PG2 perimeter glow

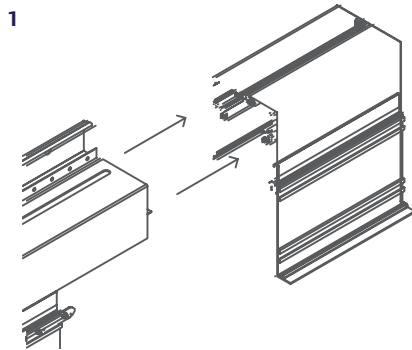
OPTIONAL TELESCOPIC ADJUSTABLE END (TA)

Field adjustable +3/-4" inches for flexibility. See example below..

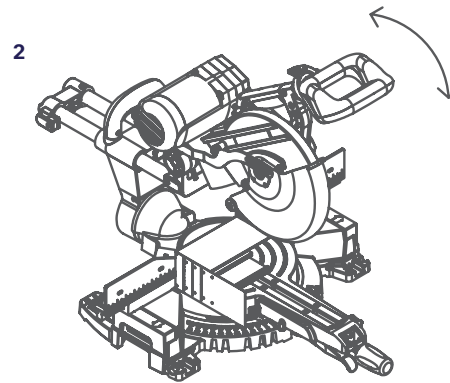


X = Fixture size ordered by client
X + 3" = Fixture size built and supplied by Coronet

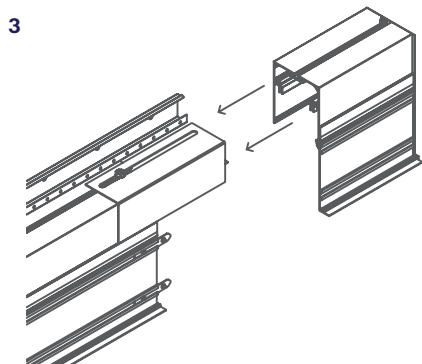
Simple installation instructions below; For complete installation guide see website or consult factory.



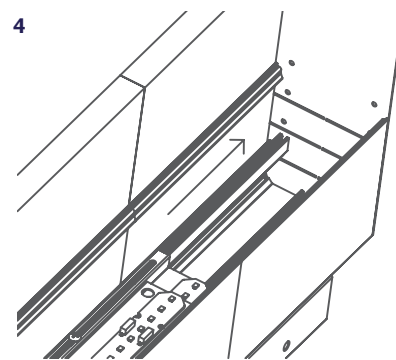
Remove End



Cut extrusion



Replace End



Slide Adjustable LED board reflector appropriately