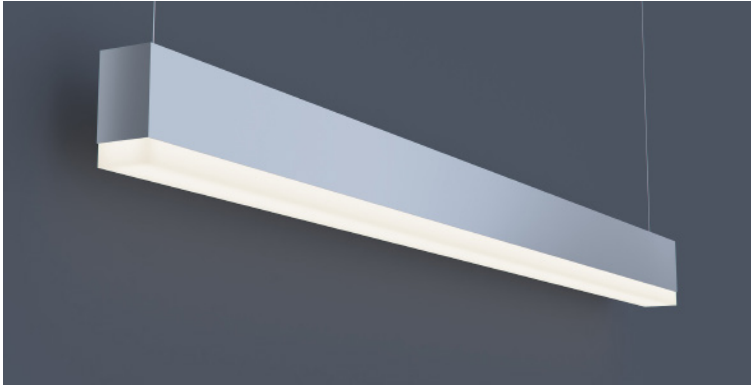


DATE \_\_\_\_\_ PROJECT \_\_\_\_\_ FIRM \_\_\_\_\_ TYPE \_\_\_\_\_



Linear, architectural luminaire with 1" drop below pop-out lens. For use in indoor applications where an LED luminaire providing continuous light is required. Suspended, surface or wall mounted installation.

### FEATURES

- Available In Made To Measure Lengths Accurate Up To 1/16"
- Patterns Available (See Page 2)
- Damp Location Rated
- CRI 90+ Standard; R9>50
- 5 Year, 50,000 Hour Fixture Warranty
- 2700K, 3000K, 3500K, 4000K & 5000K Color Temperatures Available
- Available with PoE

**APPLICATIONS** Offices, Lobbies, Retail Stores, Classrooms, Reception Areas & Corridors

**CONSTRUCTION** Extruded Aluminum Housing with Die Cast Ends. Formed Steel Gear Tray | **OPTICS** 1" Drop-Below, Extruded High Transmission Satin Acrylic Lens with No LED Imaging

**WARRANTY** 5 Year Limited Warranty (Covers Standard Components) | **FINISH** Standard Powder-Coated White. Custom RAL Colors Available

**FIXTURE RATINGS & CERTIFICATIONS** Union Made ETL Listed | Made In The USA Damp Location Rated



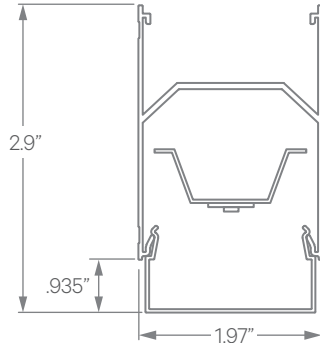
### DRIVERS & SENSORS



For Wiring Diagrams and Sensor Information Click [Here](#)

**ELECTRICAL** Integral Driver with 0-10V Dimming Standard or **Remote** Driver using 'Power Over Wire' System Which Eliminates Power Feed Cord By Combining The Aircraft Cable and Power Feed. Several Driver Options Available

### EXTRUSION DIMENSIONS



### LED SYSTEM INFORMATION

	Nominal System Watts	Nominal Delivered Lumens	Nominal Efficacy
Standard (LTG1)	7.25 W/ft	580 lm/ft	80 LPW
Low (LTG2)	5 W/ft	400 lm/ft	80 LPW
High (LTG3)	8.75 W/ft	670 lm/ft	78 LPW

Based on a 3500K luminaire using one driver. Custom outputs available; specify below.

### ORDERING

#### 1 - FIXTURE ID

LS1 POL LED

#### 2 - LENGTH

- 2 - 2 ft
- 4 - 4 ft
- 8 - 8 ft
- X'-X" - Specify Length
- PAT - Pattern (Consult Factory)

#### 3 - COLOR TEMP

- 27 - 2700K/90 CRI
  - 30 - 3000K/90 CRI
  - 35 - 3500K/90 CRI
  - 40 - 4000K/90 CRI
  - 50 - 5000K/90 CRI
  - TW\* - Tunable White
  - RGBW\*\* - RGB + 3000K
- \*Must use DMX or TW10 Driver  
\*\*Must use DMX Driver

#### 4 - LED SYSTEM

- LTG1 - Standard
- LTG2 - Low
- LTG3 - High
- LTGC - Custom Output

#### 5 - VOLTAGE

- UNV - Universal (120/277V)

#### 6 - DRIVER

- DB - Standard Dimming (0-10V)
- DB1% - 1% Dimming (0-10V)
- DB.1% - 0.1% Dimming (0-10V)
- LTEA - Lutron 2-wire 1% Dimming (120V only)
- LDE1 - Lutron Digital EcoSystem
- LDE5 - 5 Series EcoSystem; 5% Dimming
- PoE - Power over Ethernet. Consult Factory for Compatibility
- DMX - For Color Tuning and RGBW (Remote)
- TW10 - Dual Channel, 0-10V For Color Tuning (CCT and Intensity Control)

#### 7 - FINISH

- W - White (Standard)
- BLK\* - Black
- CC\* - Custom Color (provide RAL number\*\*)
- CBF\* - Custom Wood Finish (provide color\*\*)

#### 8 - MOUNTING

- AC - Air Craft Cable (50")
  - SM - Surface Mount
  - WM - Wall Mount
- \*For Perimeter Mount see LSR1 POL spec sheet.

#### 9 - OTHER OPTIONS

- EM 120V - Emergency Pack
- EM 277V - Emergency Pack
- EMCKT - Emergency Circuit

\*White cord and canopy provided. Must specify for other requests.  
\*\*(See [here](#) for finish options)

DATE

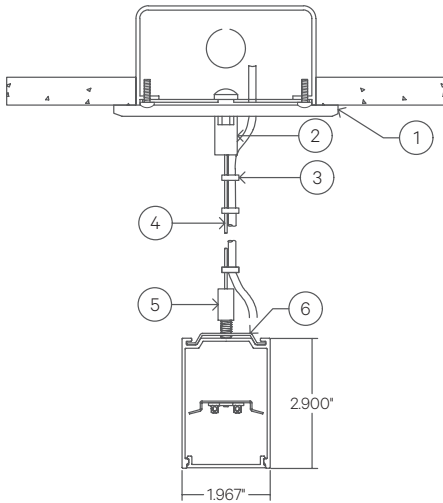
PROJECT

FIRM

TYPE

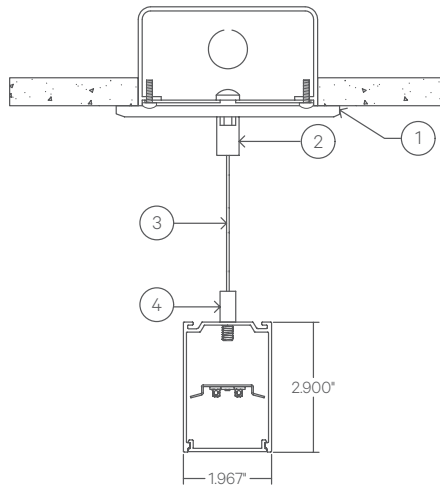
## MOUNTING OPTIONS

### AC - Air Craft Cable (50")



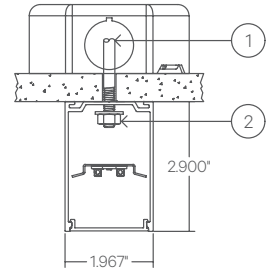
- 1 - 5" Round Canopy (Standard White Finish)
- 2 - Canopy Retainer
- 3 - SJT Cord (Standard White)
- 4 - Air Craft Cable
- 5 - Gripper
- 6 - Hanging Bracket

### ACP - Power Over Aircraft Cable



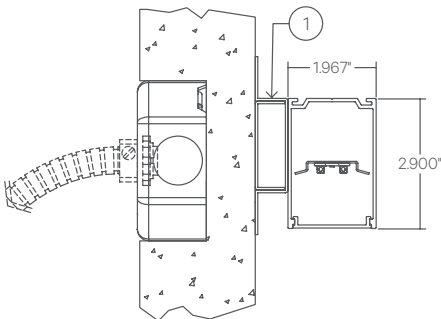
- 1 - 5" Round Canopy (Standard White Finish)
- 2 - Canopy Retainer
- 3 - ACP Cable
- 4 - Gripper

### SM - Surface Mount



- 1 - Threaded Rod (not supplied)
- 2 - 1/4-20 Nut (not supplied)

### WM - Wall Mount



- 1 - 0.75" Wall Mount Bracket

DATE

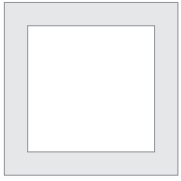
PROJECT

FIRM

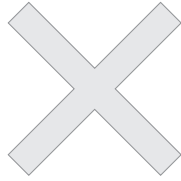
TYPE

## PATTERNS

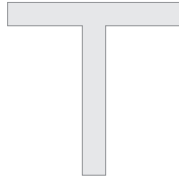
Patterns feature illuminated corners and angles. **Must consult factory for custom corners, patterns and elevations.**



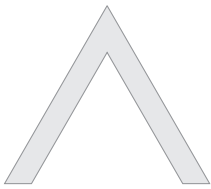
Square Patterns



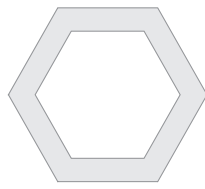
X Patterns



T Patterns

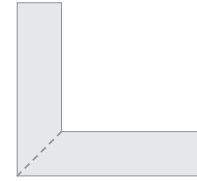


Custom Angles



Custom Patterns

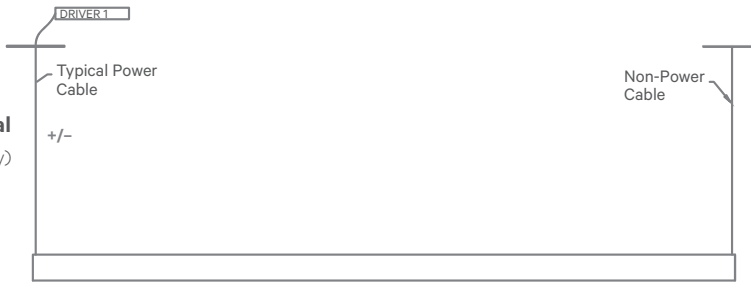
## LENS CUT



Mitered

## ACP - 'Power Over Aircraft Cable' Option

**Individual**  
(Up to 8ft Only)



**Continuous Runs**  
Note: Configurations vary based on run lengths; consult factory

