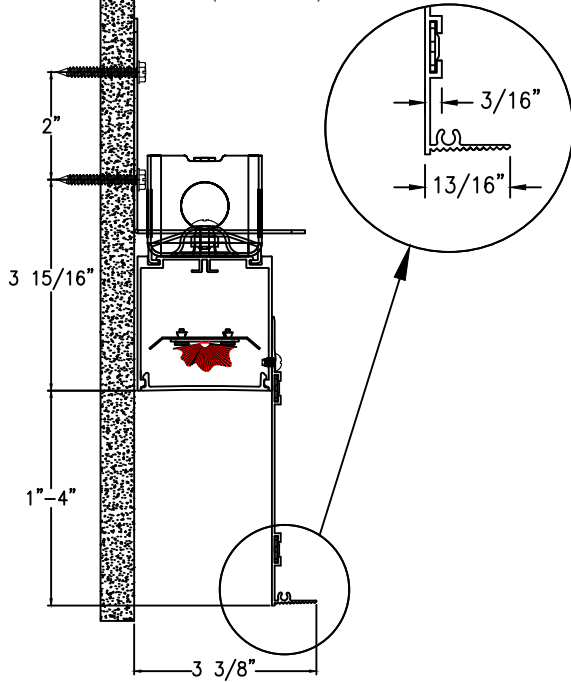


INSTALLATION GUIDE-PERIMETER

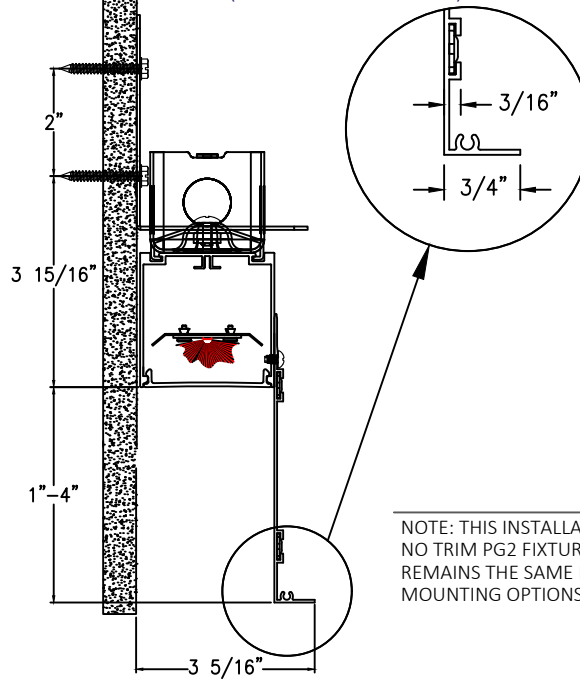


Risk of fire and electrical shock. In accordance with national local building and electrical codes, CORONET lighting fixtures must be installed by a qualified electrician. Disconnect power at electrical panel before servicing.

CROSS SECTION VIEW (NO TRIM)



CROSS SECTION VIEW (FLANGE FOR T-GRID)

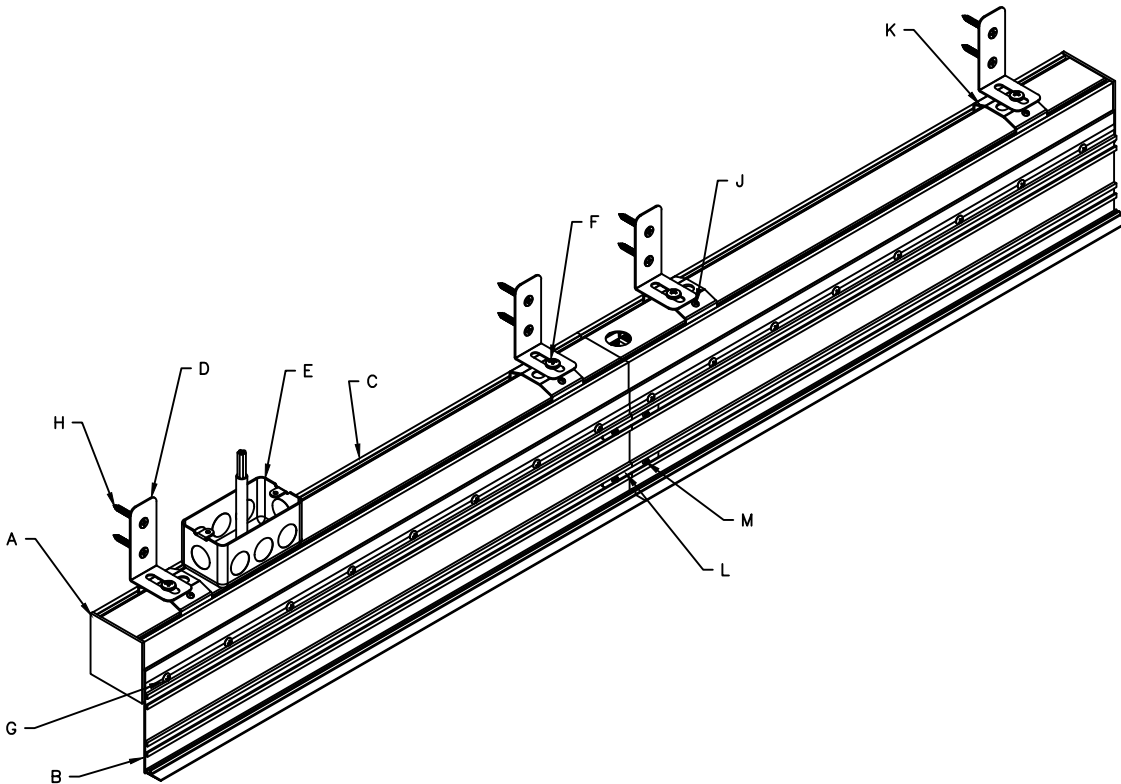


PART LIST

- A-End Plate
- B-Auxiliary Extrusion
- C-Extrusion
- D-Wall Bracket
- E-Wiring Box
- F-1/4-20 Machine Screw
- G-8-32 Screw
- H-Drywall Screw (By Others)
- J-#5 Screw
- K-Support Bracket
- L-Aligner Bracker
- M-6-32 Set Screw

NOTE: THIS INSTALLATION GUIDE SHOWS A 4" REGRESS NO TRIM PG2 FIXTURE. HOWEVER, THE INSTALLATION REMAINS THE SAME FOR THE OTHER REGRESS AND MOUNTING OPTIONS FOR THIS FIXTURE.

ISOMETRIC VIEW

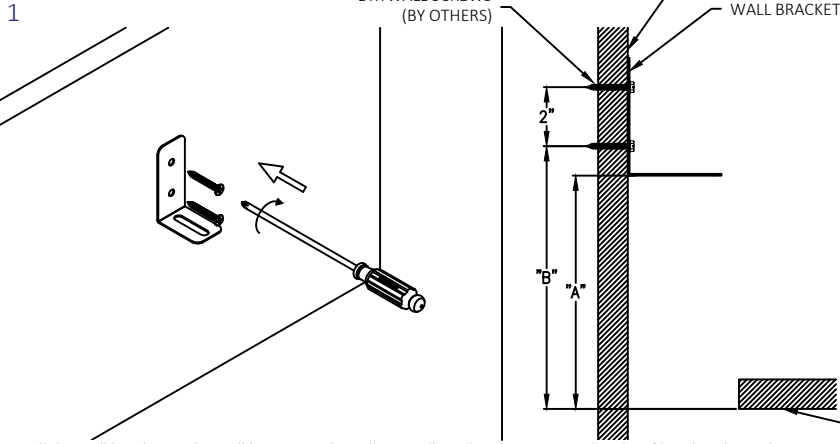


INDIVIDUAL FIXTURES ARE NOT INTENDED FOR CONTINUOUS RUNS.  
 ADDITIONAL SUPPORTS TO THE STRUCTURE MAY BE REQUIRED.  
 \*CHECK WITH YOUR LOCAL BUILDING CODE FOR THOSE REQUIREMENTS.

INSTALLATION GUIDE-PERIMETER



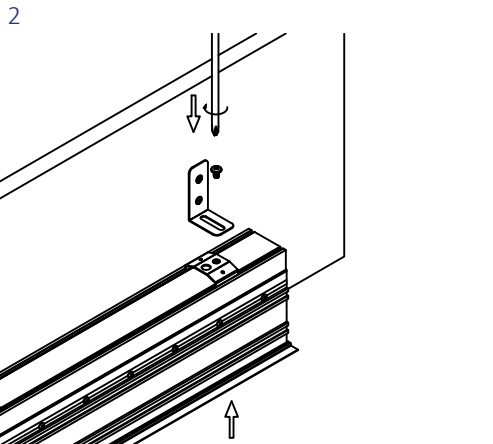
Risk of fire and electrical shock. In accordance with national local building and electrical codes, CORONET lighting fixtures must be installed by a qualified electrician. Disconnect power at electrical panel before servicing.



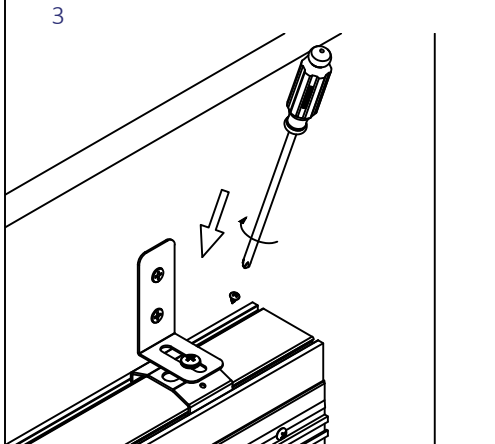
REGRESS HEIGHT	"A"	"B"
1"	3 15/16"	4 15/16"
2"	4 15/16"	5 15/16"
3"	5 15/16"	6 15/16"
4"	6 15/16"	7 15/16"

Install the wall bracket to the wall by using a drywall screw (by others). Mounting height of bracket depends upon regress as specified in order. Use "TABLE 1" to the right For mounting height dimensions. Refer to the shop drawings for recommended spacing for the wall brackets.

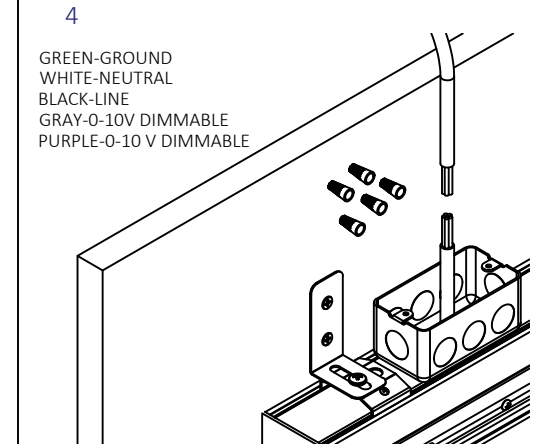
NOTE: WE RECOMMEND THAT THE FIXTURE BE INSTALLED BEFORE THE CEILING IS ESPECIALLY IF IT IS SHEET ROCK.



Lift the fixture and slide the support bracket into position so the hole with the 1/4-20 nut lines up with the wall bracket's oblong slot hole. Use the provided 1/4-20 machine screw to secure the fixture in place.

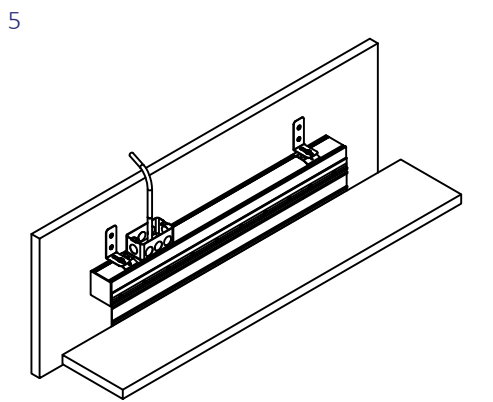


Lock the support bracket in place using the provided #5 screw.

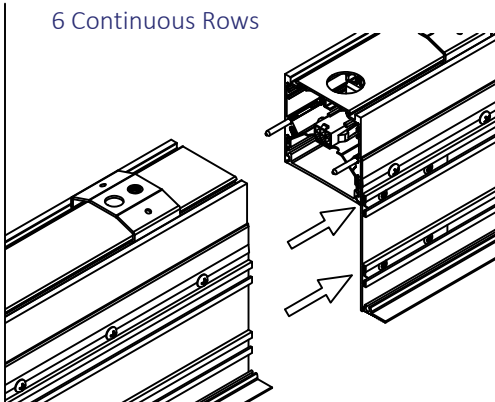


GREEN-GROUND  
WHITE-NEUTRAL  
BLACK-LINE  
GRAY-0-10V DIMMABLE  
PURPLE-0-10 V DIMMABLE

With the power off to the fixture, connect the fixture power cord to the power feed. (Wire connectors by others)

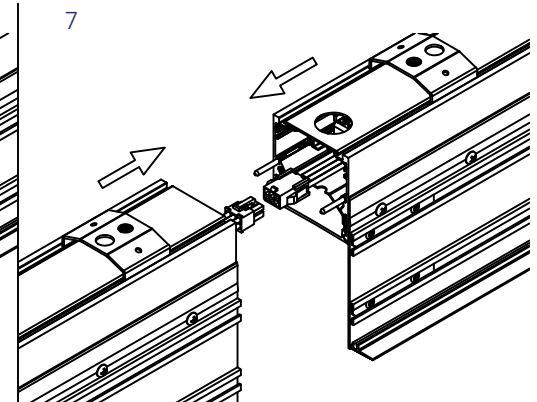


Power on the fixture to determine if it operates properly. Now the ceiling is ready to be installed.



6 Continuous Rows

Slide the aligner brackets back to allow easier connection of the two fixtures.



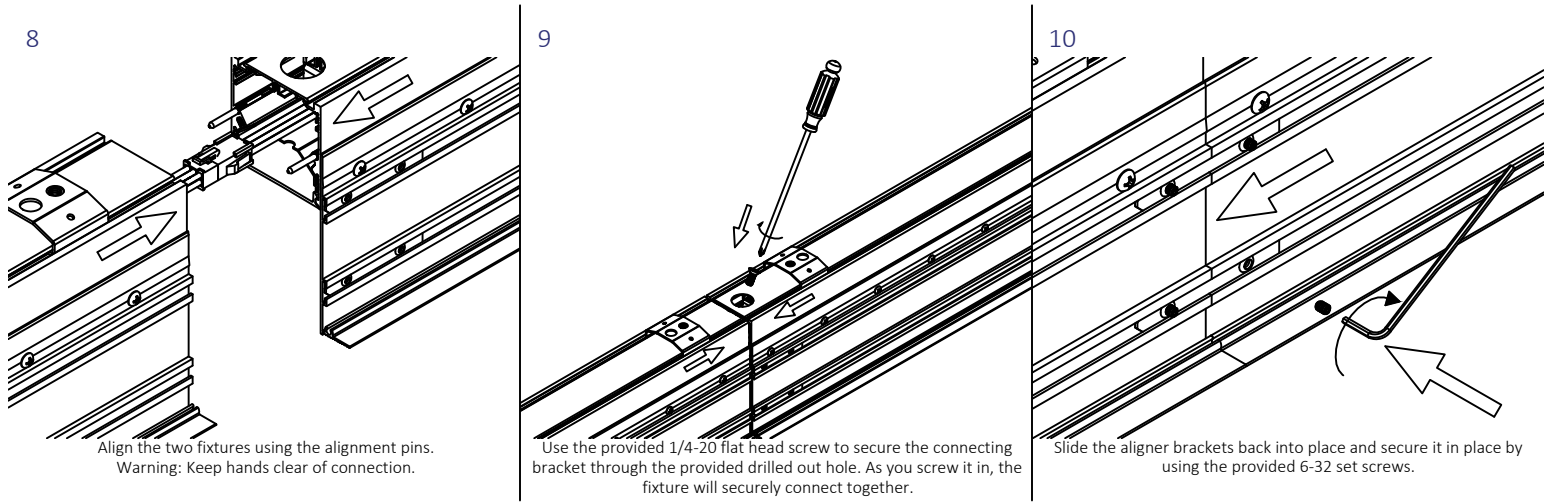
Before connecting the two fixtures, connect the wiring harness.

INDIVIDUAL FIXTURES ARE NOT INTENDED FOR CONTINUOUS RUNS. ADDITIONAL SUPPORTS TO THE STRUCTURE MAY BE REQUIRED.

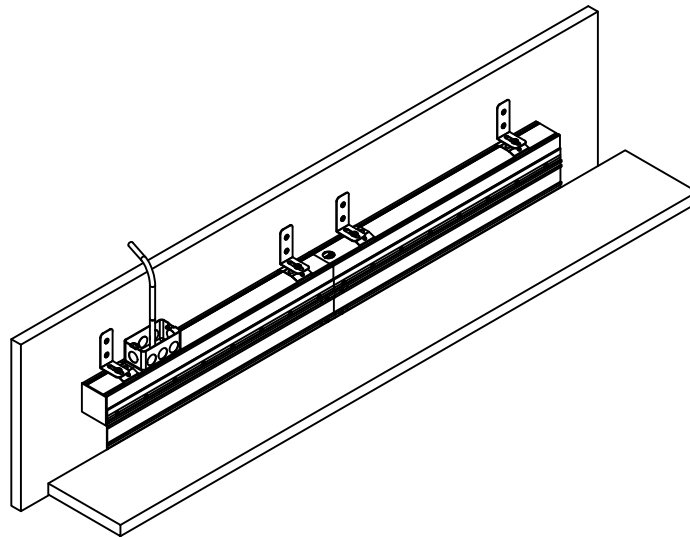
\*CHECK WITH YOUR LOCAL BUILDING CODE FOR THOSE REQUIREMENTS.



Risk of fire and electrical shock. In accordance with national local building and electrical codes, CORONET lighting fixtures must be installed by a qualified electrician. Disconnect power at electrical panel before servicing.



11



Repeat steps 2-5 to finish installing your fixture. Check that your fixture operates properly after connecting them.

**GENERAL INSTALLATION CONSIDERATIONS - See submittal drawings for job specific data.**

Operating Temperature.....-40°C to 50°C  
 Operating Voltage.....110VAC-277VAC, 50Hz-60Hz  
 Weight.....lb/ft  
 Dimensions.....See submittal drawings

- Installation by a certified electrician only.
- Read and understand the installation instructions before attempting to install or use the fixture.
- Only use fixtures with voltage for which it is rated. Do not exceed the specified voltage and current input.
- Do not use the fixture if the housing, lens, or power cable is damaged.
- Ensure that the main power supply is off before installing or wiring the fixture.
- Method of wire connection to be determined by local electrical codes and regulations.
- The external flexible cable of this luminaire cannot be field replaced; if the cord is damaged, contact Coronet.
- The light source contained in this luminaire shall only be replaced by the lighting manufacturer or his service agent or a similar qualified person.

Please contact our technical support team for assistance.

INDIVIDUAL FIXTURES ARE NOT INTENDED FOR CONTINUOUS RUNS.  
 ADDITIONAL SUPPORTS TO THE STRUCTURE MAY BE REQUIRED.  
 \*CHECK WITH YOUR LOCAL BUILDING CODE FOR THOSE REQUIREMENTS.