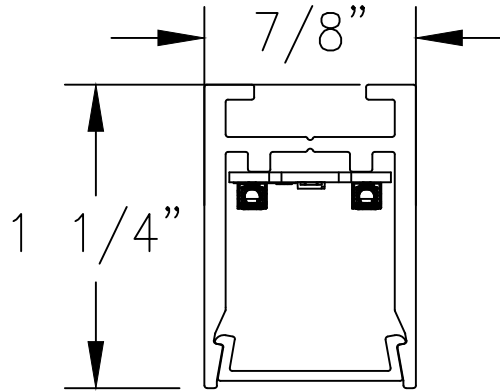


## INSTALLATION GUIDE-SURFACE MOUNT



Risk of fire and electrical shock. In accordance with national local building and electrical codes, CORONET lighting fixtures must be installed by a qualified electrician. Disconnect power at electrical panel before servicing.

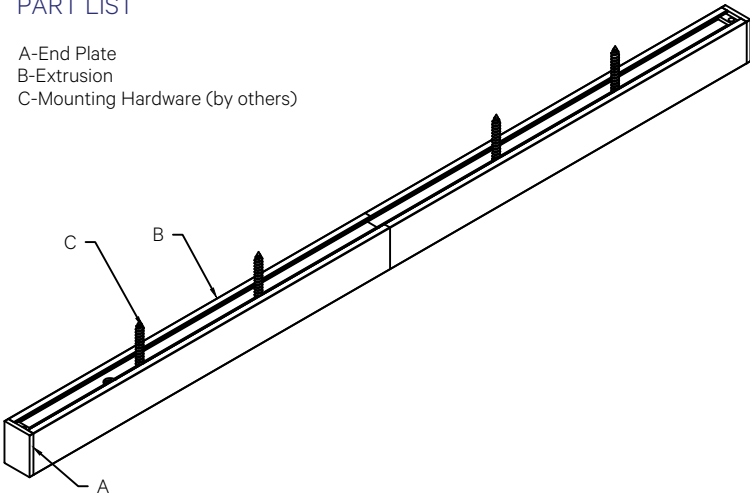
CROSS SECTION VIEW



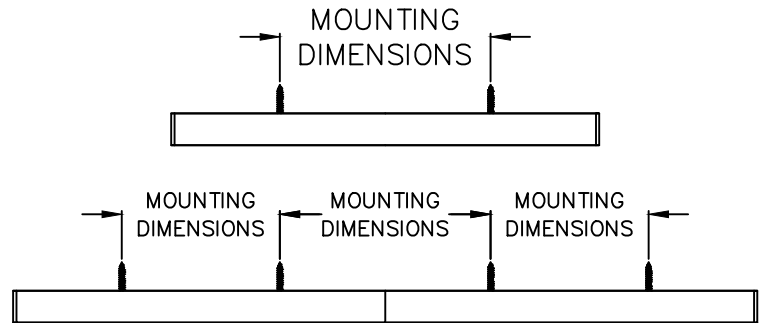
ISOMETRIC VIEW

**PART LIST**

- A-End Plate
- B-Extrusion
- C-Mounting Hardware (by others)

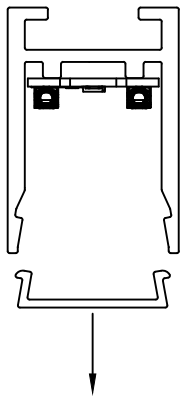


SIDE VIEW



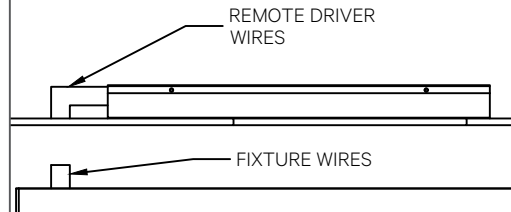
PLEASE CONSULT FACTORY SHOP DRAWINGS FOR MOUNTING POINTS.

1 Option 1



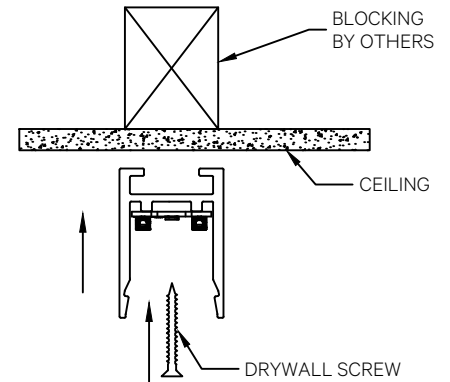
Before mounting the fixture to the ceiling, remove the lens from the fixture.

2



Run the wire from the remote driver box to the fixture and make any necessary electrical connections.

3



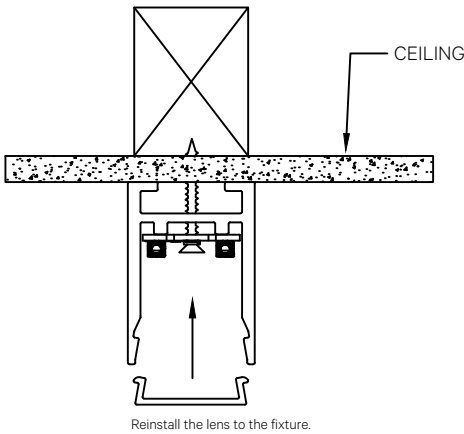
Mount the extrusion to the ceiling with a drywall screw (hardware by others). There will be pre-drilled holes in the extrusion for where the screws will go. Note: Make sure there is extra blocking behind the ceiling where the screws will be installed.

INDIVIDUAL FIXTURES ARE NOT INTENDED FOR CONTINUOUS RUNS.  
ADDITIONAL SUPPORTS TO THE STRUCTURE MAY BE REQUIRED.  
\*CHECK WITH YOUR LOCAL BUILDING CODE FOR THOSE REQUIREMENTS.

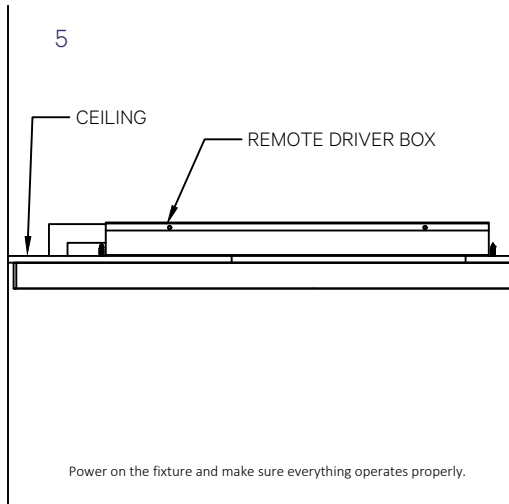


Risk of fire and electrical shock. In accordance with national local building and electrical codes, CORONET lighting fixtures must be installed by a qualified electrician. Disconnect power at electrical panel before servicing.

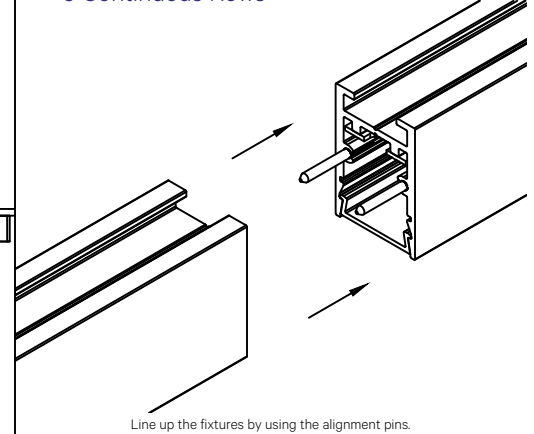
4



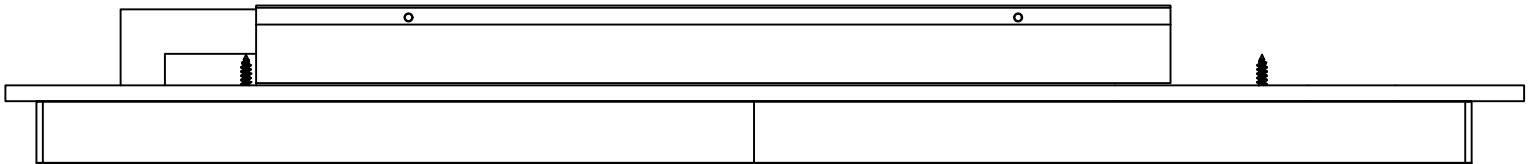
5



6 Continuous Rows



7



Follow steps 1-6 to install the fixture properly.

**GENERAL INSTALLATION CONSIDERATIONS - See submittal drawings for job specific data.**

Operating Temperature.....-40°C to 50°C  
 Operating Voltage.....110VAC-277VAC, 50Hz-60Hz  
 Weight..... lb/ft  
 Dimensions.....See submittal drawings

- Installation by a certified electrician only.
- Read and understand the installation instructions before attempting to install or use the fixture.
- Only use fixtures with voltage for which it is rated. Do not exceed the specified voltage and current input.
- Do not use the fixture if the housing, lens, or power cable is damaged.
- Ensure that the main power supply is off before installing or wiring the fixture.
- Method of wire connection to be determined by local electrical codes and regulations.
- The external flexible cable of this luminaire cannot be field replaced; if the cord is damaged, contact Coronet.
- The light source contained in this luminaire shall only be replaced by the lighting manufacturer or his service agent or a similar qualified person.

INDIVIDUAL FIXTURES ARE NOT INTENDED FOR CONTINUOUS RUNS.  
 ADDITIONAL SUPPORTS TO THE STRUCTURE MAY BE REQUIRED.  
 \*CHECK WITH YOUR LOCAL BUILDING CODE FOR THOSE REQUIREMENTS.