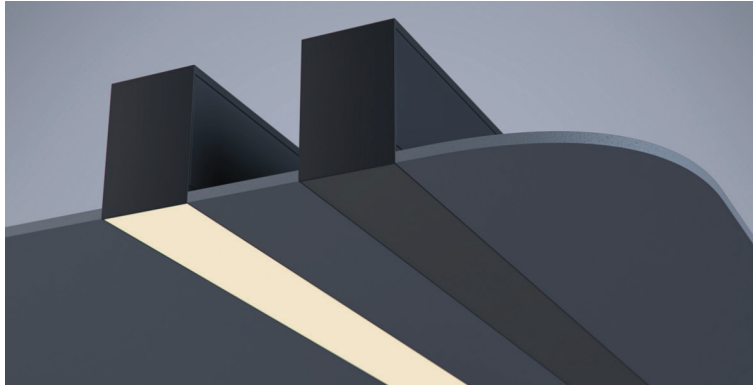


DATE	PROJECT	FIRM	TYPE
------	---------	------	------



Linear, recessed, architectural luminaire with specially formulated black optic that allows the unilluminated fixture to seamlessly blend in to dark environments and delivers full illumination when switched on. Suitable for grid system and drywall installation as well as custom mounting requests.

### FEATURES

- Black to White Optic
- Available In Made To Measure Lengths Accurate Up To 1/16"
- Patterns Available (See Page 3)
- Damp Location Rated
- CRI 90+ Standard; R9>50
- 5 Year, 50,000 Hour Fixture Warranty
- 2700K, 3000K, 3500K, 4000K & 5000K Color Temperatures Available
- Available with PoE

**APPLICATIONS** Offices, Lobbies, Retail Stores, Classrooms, Reception Areas & Corridors

**CONSTRUCTION** Extruded Aluminum Housing with Steel End Caps. Formed Steel Gear Tray

**OPTICS** Black to White "Ink" Optic

**WARRANTY** 5 Year Limited Warranty (Covers Standard Components)

**FINISH** Standard Powder-Coated White. Custom RAL Colors Available

**FIXTURE RATINGS & CERTIFICATIONS** Union Made ETL Listed Made In The USA Damp Location Rated



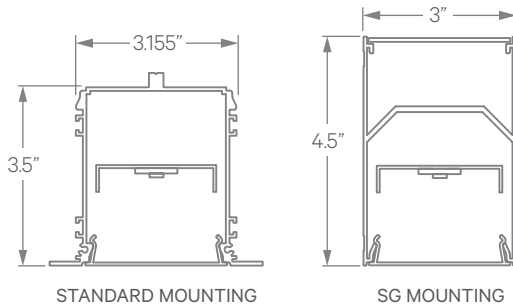
### DRIVERS & SENSORS



For Wiring Diagrams and Sensor Information Click [Here](#)

**ELECTRICAL** Integral Driver with 0-10V Dimming Standard. Several Driver Options Available

### EXTRUSION DIMENSIONS



**ORDERING**

1	2	3	4	5	6	7	8	9	10	11
---	---	---	---	---	---	---	---	---	----	----

<p><b>1 - FIXTURE ID</b></p> <p><b>LSR3 LED - INK</b></p>	<p><b>2 - LENGTH</b></p> <p>2 - 2 ft 4 - 4 ft 8 - 8 ft X'-X" - Specify Length PAT - Pattern (Consult Factory)</p>	<p><b>3 - COLOR TEMP</b></p> <p>27 - 2700K/90 CRI 30 - 3000K/90 CRI 35 - 3500K/90 CRI 40 - 4000K/90 CRI 50 - 5000K/90 CRI TW* - Tunable White *Must use DMX or TW10 Driver</p>	<p><b>4 - LED SYSTEM</b></p> <p>LTG1 - Standard LTG2 - Low LTG3 - High LTGC - Custom Output</p>	<p><b>5 - VOLTAGE</b></p> <p>UNV - Universal (120/277V)</p>	<p><b>6 - DRIVER</b></p> <p>DB - Standard Dimming (0-10V) DB1% - 1% Dimming (0-10V) DB.1% - 0.1% Dimming (0-10V) LTEA - Lutron 2-wire 1% Dimming (120V only) LDE1 - Lutron Digital EcoSystem LDE5 - 5 Series EcoSystem; 5% Dimming PoE - Power over Ethernet. Consult Factory for Compatibility DMX - For Color Tuning and RGBW (Remote) TW10 - Dual Channel, 0-10V For Color Tuning (CCT and Intensity Control)</p>	<p><b>7 - FINISH</b></p> <p>W - White (Standard) CC - Custom Color (provide RAL#)</p>	<p><b>8 - MOUNTING</b></p> <p>T - 9/16" Tee Grid T15 - 15/16" Tee Grid SG - Slot Grid/Interlude F - Flange NT - No Trim/Spackle Flange PM-X* - Perimeter Mount *X' denotes mounting type on opposite side of wall (ie-PM-NT). Consult Factory</p>	<p><b>9 - CONTROL (Optional)</b></p> <p>EIS - Enlighted Sensor WISD - Wattstopper Daylight Sensor SG - Wattstopper Occupancy Sensor SLS - SensiLUM Sensor ACS - Acuity Controls nLight System CCS - Casambi Compatible ECS - Eaton WaveLinX System *For other control systems not listed consult factory.</p>	<p><b>10 - CIRCUIT (Optional)</b></p> <p>EM 120V - Emergency Pack EM 277V - Emergency Pack</p>	<p><b>11 - OTHER OPTIONS</b></p> <p>WH6 - 6ft Whips Preinstalled CP - Chicago Plenum</p>
---	---	--	---	---	--	---	---	---	--	--

DATE

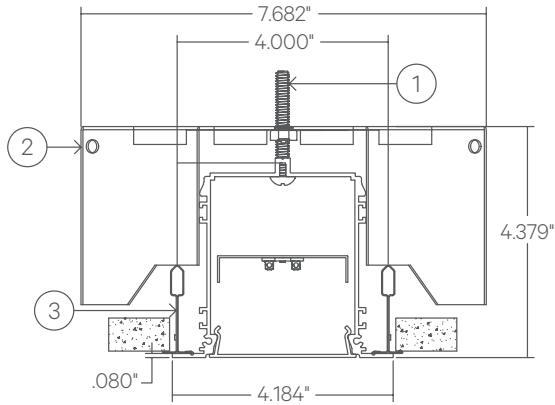
PROJECT

FIRM

TYPE

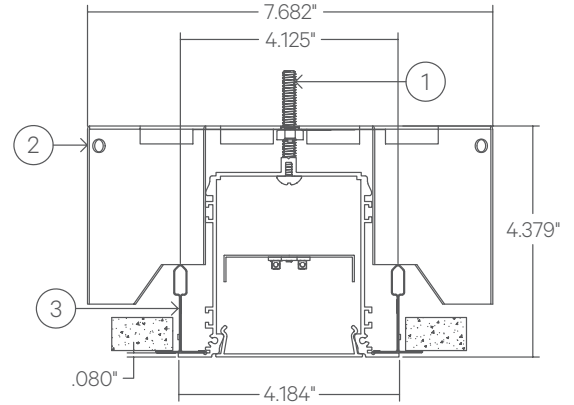
## MOUNTING OPTIONS

**T** - 9/16" Tee Grid



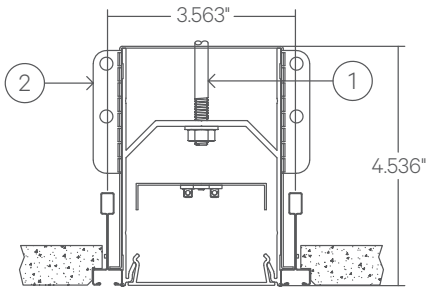
- 1 - Threaded Rod (not supplied)
- 2 - Tee Grid Bracket
- 3 - Tee Grid

**T15** - 15/16" Tee Grid



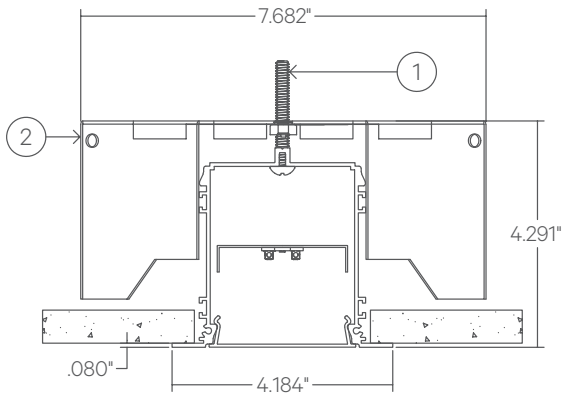
- 1 - Threaded Rod (not supplied)
- 2 - Tee Grid Bracket
- 3 - Tee Grid

**SG** - Slot Grid/Interlude



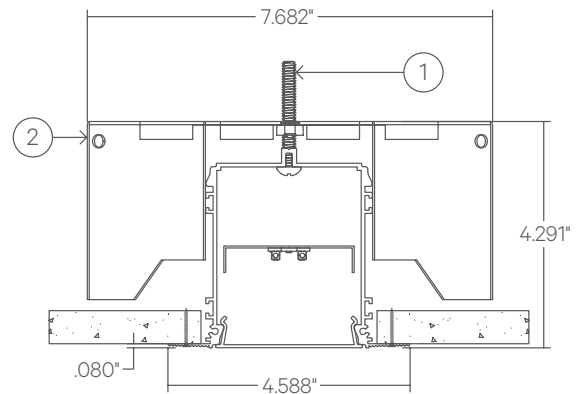
- 1 - Threaded Rod (not supplied)
- 2 - Slot Grid Bracket
- 3 - Slot Grid

**F** - Flange



- 1 - Threaded Rod (not supplied)
- 2 - Bracket

**NT** - No Trim/Spackle Flange



- 1 - Threaded Rod (not supplied)
- 2 - Bracket

Updated: 04/9/2019

DATE

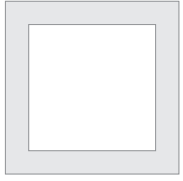
PROJECT

FIRM

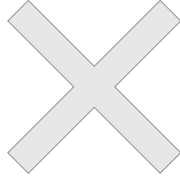
TYPE

## PATTERNS

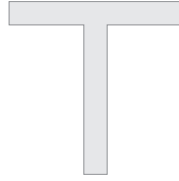
Patterns feature illuminated corners and angles. **Must consult factory for custom corners and patterns.**



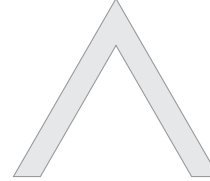
Square Patterns



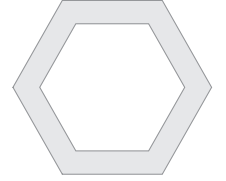
X Patterns



T Patterns

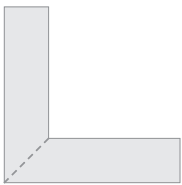


Custom Angles



Custom Patterns

## LENS CUT



Mitered